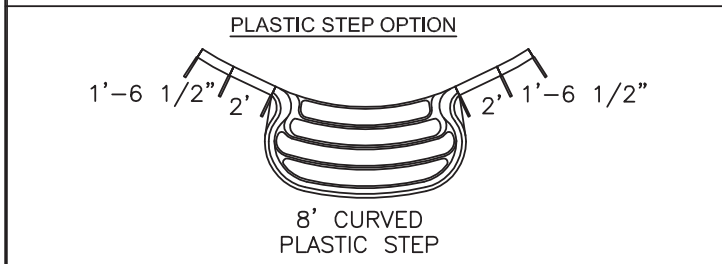
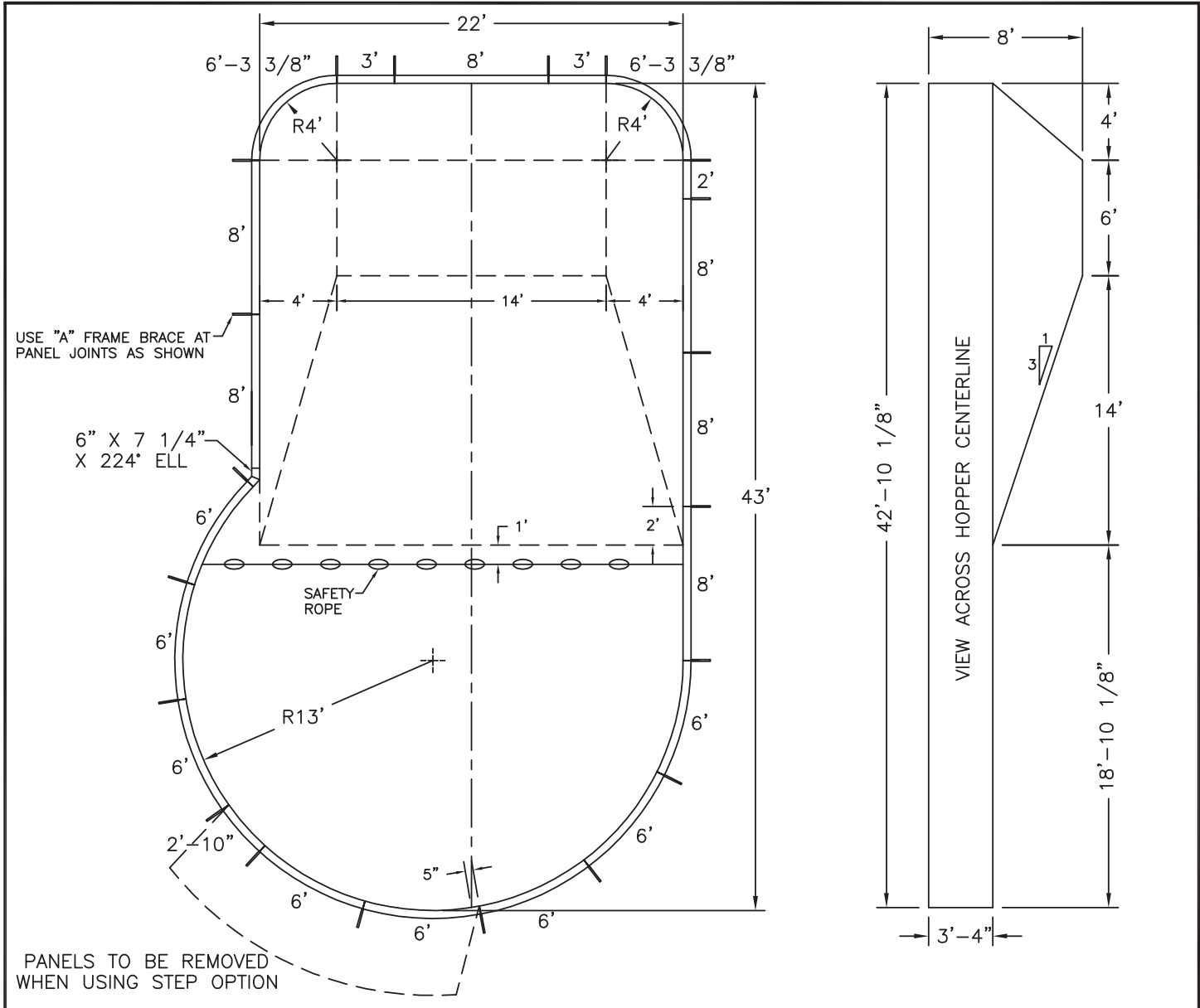




Name: 22' X 43' MARTINIQUE 4' RADIUS

Number: 2243MART4R

250 Route 61 South, Schuylkill Haven, PA 17972 • 570-385-4733 • fax: 570-385-1318 • CustomerService@CardinalSystemsInc.com



3' Deck Area: 389.6 SQ. FT.	4' Deck Area : 532.0 SQ. FT.
Gallons: 35,419	Perimeter: 120'-6"
Date: 2/20/13	Area: 944.5 SQ. FT.
Scale: 1/8" = 1'	Sheet: 1 OF 2

CardinalSystemsInc.com

This information is the confidential property of Cardinal Systems, Inc. Disclosure or duplication without proper written approval is strictly prohibited. Acceptance and use of this drawing constitutes knowledge and acceptance by the user of the terms and conditions set forth in the notice and warning which accompanied this drawing is incorporated herein and made part hereof and is found on Cardinal Systems, Inc's website at www.CardinalSystemsInc.com

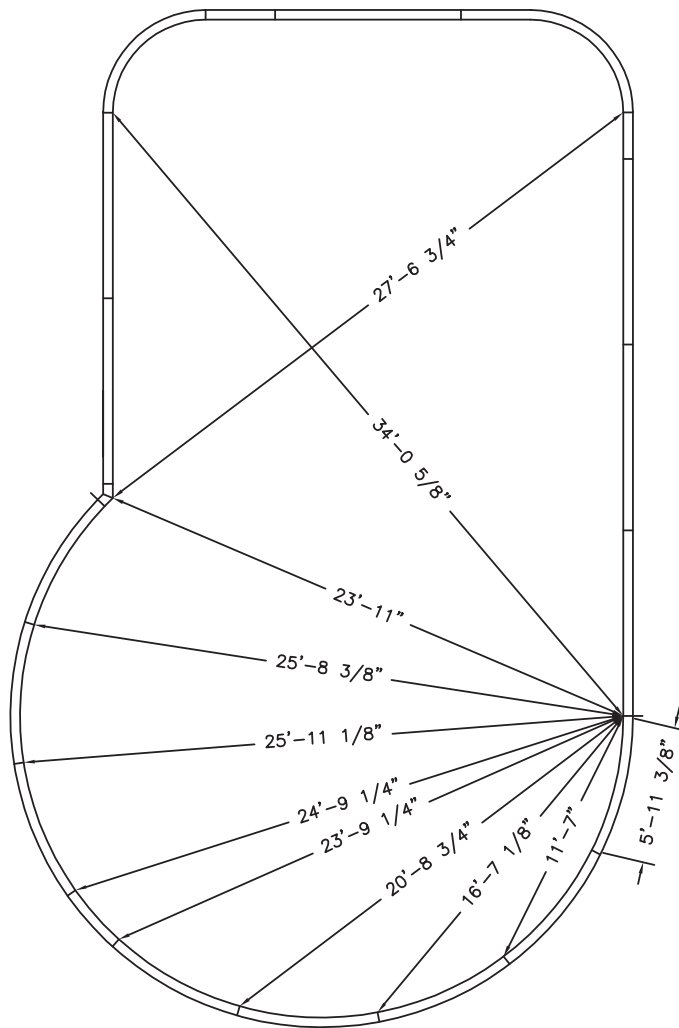


Name: 22' X 43' MARTINIQUE 4' RADIUS

Number: 2243MART4R

250 Route 61 South, Schuylkill Haven, PA 17972 • 570-385-4733 • fax: 570-385-1318 • CustomerService@CardinalSystemsInc.com

PART NO.	QUANTITY			DESCRIPTION
	NO	STEP 1	STEP 2	
5S42800XXX2	6	6	6	8' STRAIGHT PANEL W/2 Z
5S42300XXX0	2	2	2	3' STRAIGHT PANEL
5S42200XXX0	1	3	3	2' STRAIGHT PANEL
5C42633XX04000	2	2	2	6'-3 3/8" x 4' RADIUS PANEL
5C42600XX13000	8	6	6	6' x 13' RADIUS PANEL
5C422T0XX13000	1	-	-	2'-10" x 13' RADIUS PANEL
5C42164XX13000	-	2	-	1'-6 1/2" x 13' RADIUS PANEL
5C42143XX13000	-	-	2	1'-4 3/8" x 13' RADIUS PANEL
5T42060224072	1	1	1	6" x 7 1/4" x 224" ELL
BP260NL	1	1	1	260 NUTS/BOLTS - LARGE BOLT PACK
	20	22	22	"A" FRAME ASSEMBLY



3' Deck Area: 389.6 SQ. FT.

4' Deck Area : 532.0 SQ. FT.

Gallons: 35,419

Perimeter: 120'-6"

Date: 2/20/13

Area: 944.5 SQ. FT.

Scale: 1/8" = 1'

Sheet: 2 OF 2



CardinalSystemsInc.com

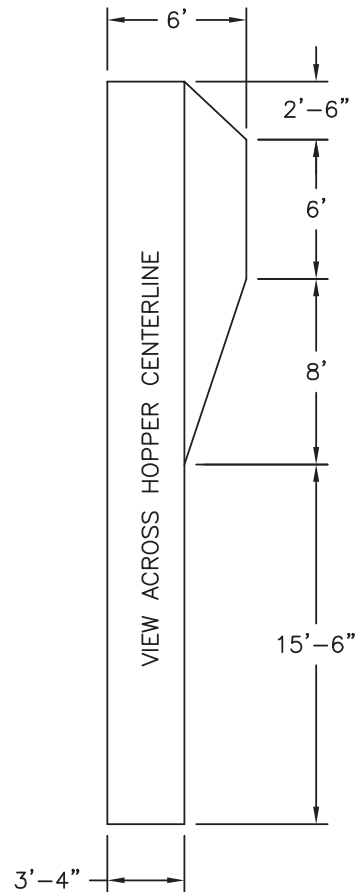
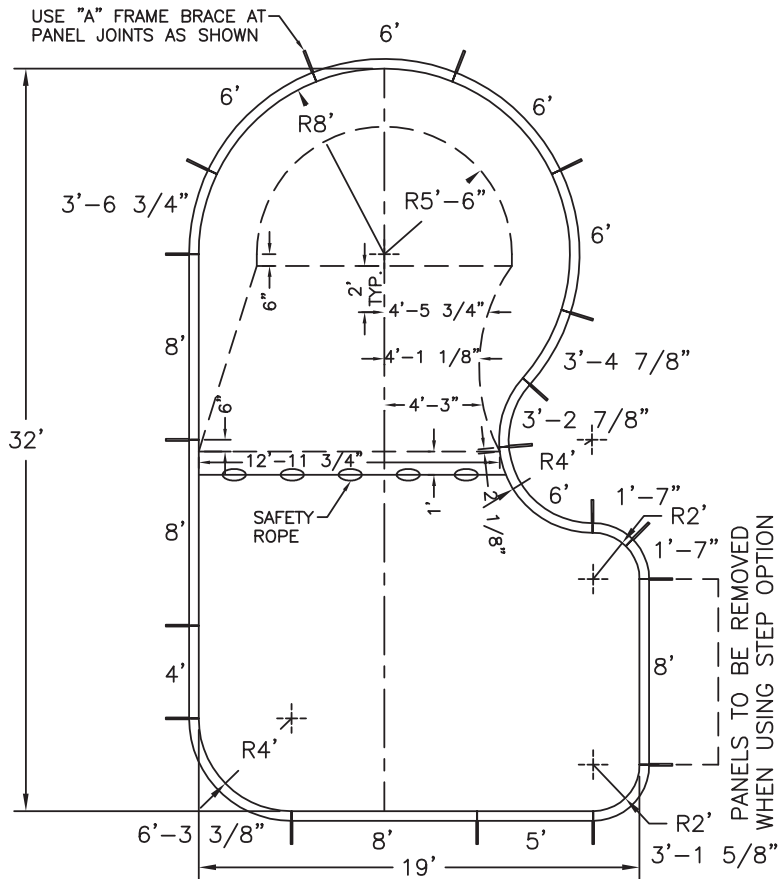
This information is the confidential property of Cardinal Systems, Inc. Disclosure or duplication without proper written approval is strictly prohibited. Acceptance and use of this drawing constitutes knowledge and acceptance by the user of the terms and conditions set forth in the notice and warning which accompanied this drawing is incorporated herein and made part hereof and is found on Cardinal Systems, Inc's website at www.CardinalSystemsInc.com



Name: 16' X 32' CELEBRITY

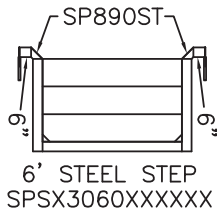
Number: 1632CELEB

250 Route 61 South, Schuylkill Haven, PA 17972 • 570-385-4733 • fax: 570-385-1318 • CustomerService@CardinalSystemsInc.com



NON-DIVING POOL

STEEL STEP OPTION #1



PLASTIC STEP OPTION #2



3' Deck Area: 309.6 SQ. FT.

4' Deck Area : 425.4 SQ. FT.

Gallons: 18,596

Perimeter: 93'-9 1/2"

Date: 2/20/13

Area: 495.9 SQ. FT.

Scale: 1/8" = 1'

Sheet: 1 OF 2



CardinalSystemsInc.com

This information is the confidential property of Cardinal Systems, Inc. Disclosure or duplication without proper written approval is strictly prohibited. Acceptance and use of this drawing constitutes knowledge and acceptance by the user of the terms and conditions set forth in the notice and warning which accompanied this drawing is incorporated herein and made part hereof and is found on Cardinal Systems, Inc's website at www.CardinalSystemsInc.com



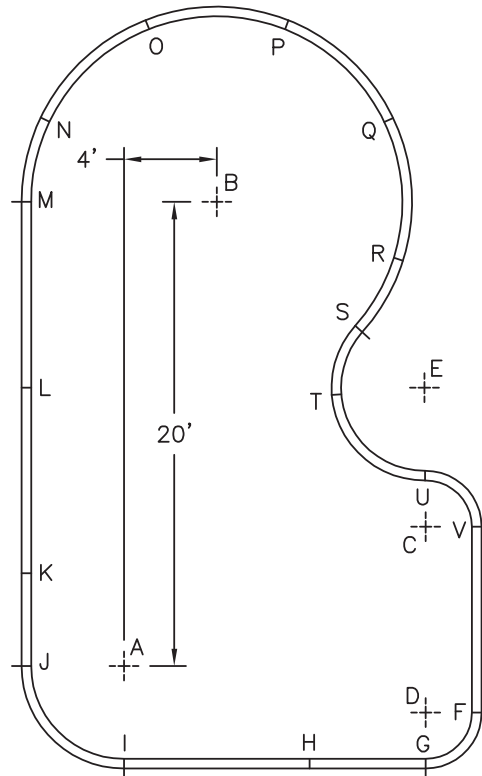
Name: 16' X 32' CELEBRITY


Number: 1632CELEB

250 Route 61 South, Schuylkill Haven, PA 17972 • 570-385-4733 • fax: 570-385-1318 • CustomerService@CardinalSystemsInc.com

PART NO.	QUANTITY			DESCRIPTION
	NO	STEP 1	STEP 2	
5S42800XXX2	4	3	3	8' STRAIGHT PANEL W/2 Z
5S42500XXX0	1	1	1	5' STRAIGHT PANEL
5S42400XXX0	1	1	1	4' STRAIGHT PANEL
5S42100XXX0	-	-	2	1' STRAIGHT PANEL
5S42060XXX0	-	2	-	6" STRAIGHT PANEL
5C42600XX08000	4	4	4	6' x 8' RADIUS PANEL
5C42370XX800	1	1	1	3'-7" x 8' RADIUS PANEL
5C42346XX08000	1	1	1	3'-4 3/4" x 8' RADIUS PANEL
5C42633XX04000	1	1	1	6'-3' 3/8" x 4' RADIUS PANEL
5C42317XX02000	1	1	1	3'-1 7/8" x 2' RADIUS PANEL
5C42315XX02000	1	1	1	3'-1 5/8" x 2' RADIUS PANEL
5R42600XX04000	1	1	1	6' x 4' REVERSE RADIUS PANEL
5R42327XX04000	1	1	1	3'-2 7/8" x 4' REVERSE RADIUS PANEL
SPSX3060XXXXXC	-	1	-	6' STRAIGHT STEEL STEP (COMPLETE)
SP890ST	-	2	-	STRAIGHT WALL STEP TRANSITION PANEL
BP260JS	1	1	1	260 NUTS/BOLTS - LARGE BOLT PACK
	17	17	17	"A" FRAME ASSEMBLY

POINTS	DISTANCE
A-B	20'-4 3/4"
A-C	14'-3 7/8"
A-D	13'-1 7/8"
A-E	17'-7 3/4"
B-C	16'-7 3/4"
B-D	23'-9 1/4"
B-E	12'
F-G	2'-10"
F-H	7'-3 3/8"
F-I	15'-1 5/8"
F-J	19'-1 1/4"
F-K	19'-11 1/8"
F-L	23'-7 1/4"
F-M	29'-0 7/8"
F-N	31'-3 5/8"
F-O	32'-6 7/8"
F-P	30'-6 1/4"
F-Q	25'-8 5/8"
F-R	19'-10 1/2"
F-S	17'-4 7/8"
F-T	14'-11 1/2"
F-U	10'-2 3/8"
F-V	8'
V-G	10'-2 3/8"
V-H	12'-2 1/2"
V-I	18'-0 3/8"
V-J	19'-11 1/8"
V-K	19'-1 1/4"
V-L	19'-11 1/8"
V-M	23'-7 1/4"
V-N	25'-2 3/4"
V-O	25'-6 7/8"
V-P	22'-10 7/8"
V-Q	17'-10 1/8"
V-R	12'-0 7/8"
V-S	10'-0 1/4"
V-T	8'-3 1/2"
V-U	2'-10 1/8"



3' Deck Area: 309.6 SQ. FT.	4' Deck Area : 425.4 SQ. FT.	 CardinalSystemsInc.com
Gallons: 18,596	Perimeter: 93'-9 1/2"	
Date: 2/20/13	Area: 495.9 SQ. FT.	
Scale: 1/8" = 1'	Sheet: 2 OF 2	

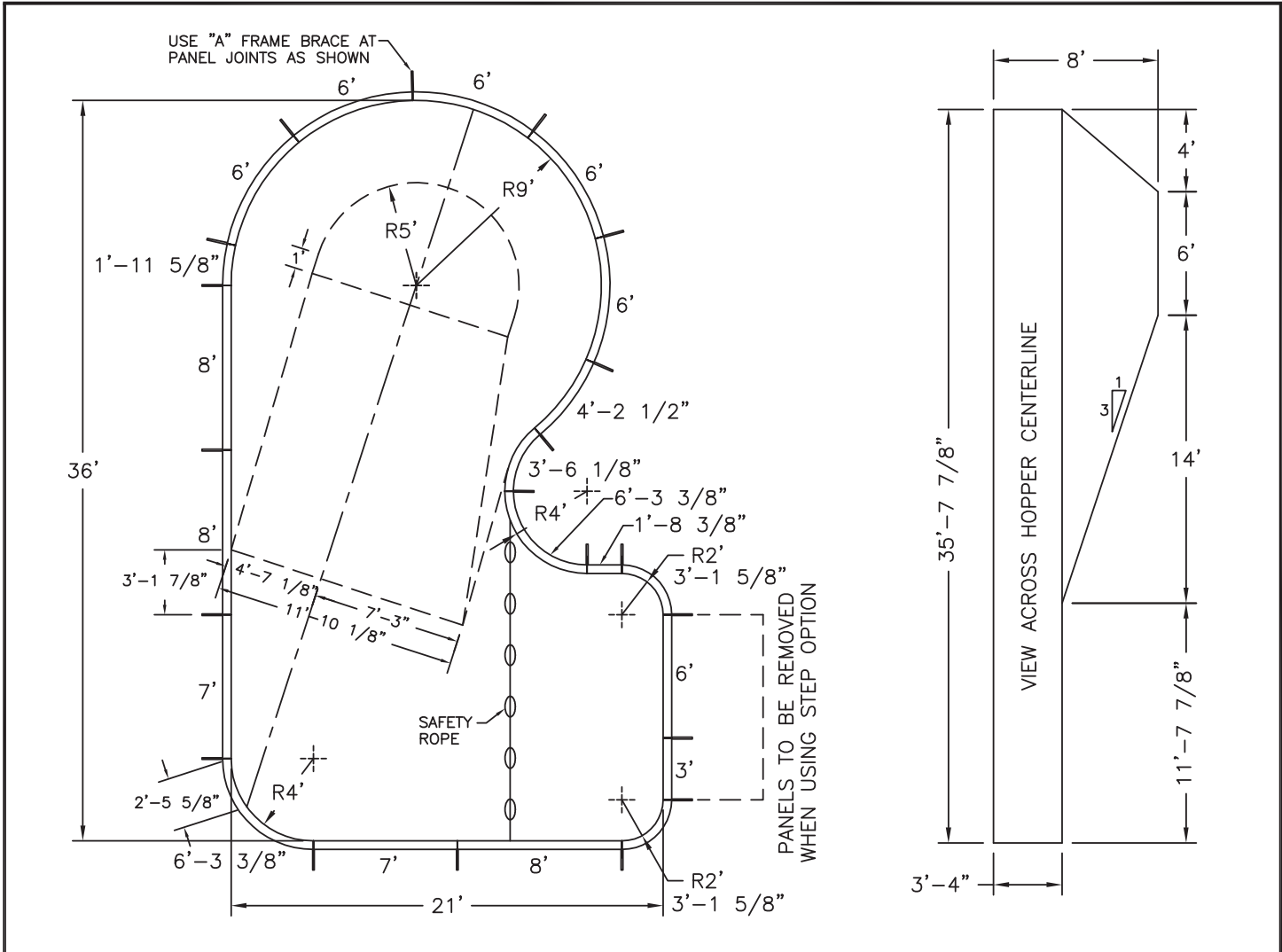
This information is the confidential property of Cardinal Systems, Inc. Disclosure or duplication without proper written approval is strictly prohibited. Acceptance and use of this drawing constitutes knowledge and acceptance by the user of the terms and conditions set forth in the notice and warning which accompanied this drawing is incorporated herein and made part hereof and is found on Cardinal Systems, Inc's website at www.CardinalSystemsInc.com



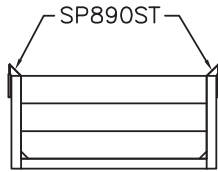
Name: 18' X 36' CELEBRITY

Number: 1836CELEB

250 Route 61 South, Schuylkill Haven, PA 17972 • 570-385-4733 • fax: 570-385-1318 • CustomerService@CardinalSystemsInc.com

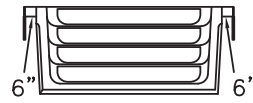


STEEL STEP OPTION #1



8' STEEL STEP
SPSX3080XXXXXX

PLASTIC STEP OPTION #2



8' PLASTIC STEP

3' Deck Area: 350.0 SQ. FT.

4' Deck Area : 479.2 SQ. FT.

Gallons: 22,943

Perimeter: 107'-2 3/4"

Date: 2/20/13

Area: 611.8 SQ. FT.

Scale: 1/8" = 1'

Sheet: 1 OF 2



CardinalSystemsInc.com

This information is the confidential property of Cardinal Systems, Inc. Disclosure or duplication without proper written approval is strictly prohibited. Acceptance and use of this drawing constitutes knowledge and acceptance by the user of the terms and conditions set forth in the notice and warning which accompanied this drawing is incorporated herein and made part hereof and is found on Cardinal Systems, Inc's website at www.CardinalSystemsInc.com



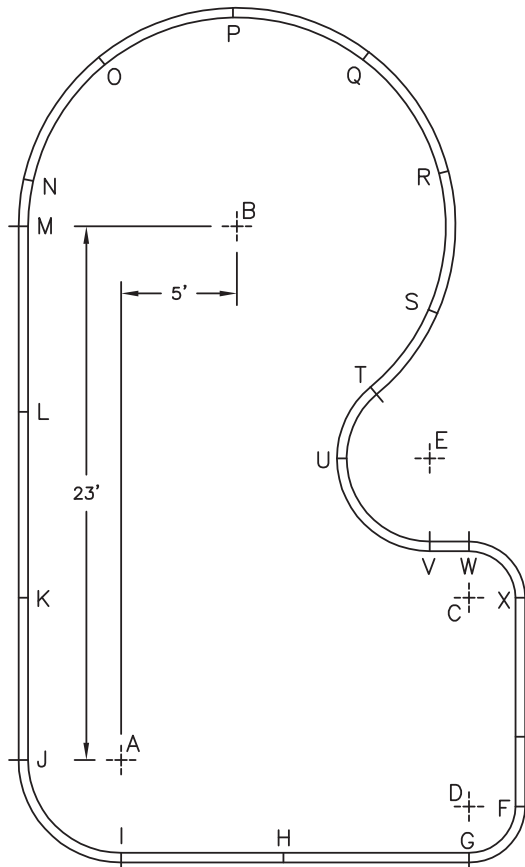
Name: 18' X 36' CELEBRITY

Number: 1836CELEB

250 Route 61 South, Schuylkill Haven, PA 17972 • 570-385-4733 • fax: 570-385-1318 • CustomerService@CardinalSystemsInc.com

POINTS	DISTANCE
A-B	23'-6 1/2"
A-C	16'-6 5/8"
A-D	15'-1 5/8"
A-E	18'-7 1/4"
B-C	18'-10 3/8"
B-D	26'-11 1/8"
B-E	13'
F-G	2'-10"
F-H	10'-2 3/8"
F-I	17'-1 3/8"
F-J	21'-1 1/8"
F-K	22'-10 1/8"
F-L	27'-0 1/4"
F-M	32'-7 3/4"
F-N	34'-0 3/8"
F-O	36'-6 1/2"
F-P	36'-1 3/8"
F-Q	32'-10 1/8"
F-R	27'-5 3/4"
F-S	21'-8 7/8"
F-T	19'-1 1/2"
F-U	16'-10 1/4"
F-V	11'-7 1/4"
F-W	11'-2 1/8"
F-X	9'
X-G	11'-2 1/8"
X-H	14'-10 3/8"
X-I	20'-3"
X-J	22'-1 5/8"
X-K	21'
X-L	22'-5 5/8"
X-M	26'-4 3/4"
X-N	27'-5 1/2"
X-O	28'-11 7/8"
X-P	27'-9 5/8"
X-Q	24'-1 1/8"
X-R	18'-7"
X-S	12'-11 5/8"
X-T	11'-0 1/4"
X-U	9'-9 1/8"
X-V	4'-2 3/8"
X-W	2'-10"

PART NO.	QUANTITY			DESCRIPTION
	NO	STEP 1	STEP 2	
5S42800XXX2	3	3	3	8' STRAIGHT PANEL W/2 Z
5S42700XXX1	2	2	2	7' STRAIGHT PANEL W/1 Z
5S42600XXX1	1	-	-	6' STRAIGHT PANEL W/1 Z
5S42300XXX0	1	-	-	3' STRAIGHT PANEL
5S42183XXX0	1	1	1	1'-8 3/8" STRAIGHT PANEL
5S42060XXX0	-	-	2	6" STRAIGHT PANEL
5C42600XX09000	5	5	5	6' x 9' RADIUS PANEL
5C42424XX09000	1	1	1	4'-2 1/2" x 9' RADIUS PANEL
5C421E5XX09000	1	1	1	1'-11 5/8" x 9' RADIUS PANEL
5C42633XX04000	1	1	1	6'-3' 3/8" x 4' RADIUS PANEL
5C42315XX02000	2	2	2	3'-1 5/8" x 2' RADIUS PANEL
5R42633XX04000	1	1	1	6'-3 3/8" x 4' REVERSE RADIUS PANEL
5R42361XX04000	1	1	1	3'-6 1/8" x 4' REVERSE RADIUS PANEL
SPSX3080XXXXXC	-	1	-	8' STRAIGHT STEEL STEP (COMPLETE)
SP890ST	-	2	-	STRAIGHT WALL STEP TRANSITION PANEL
BP260JS	1	1	1	260 NUTS/BOLTS - LARGE BOLT PACK
	20	19	19	"A" FRAME ASSEMBLY



3' Deck Area: 350.0 SQ. FT.

4' Deck Area : 479.2 SQ. FT.

Gallons: 22,943

Perimeter: 107'-2 3/4"

Date: 2/20/13

Area: 611.8 SQ. FT.

Scale: 1/8" = 1'

Sheet: 2 OF 2



CardinalSystemsInc.com

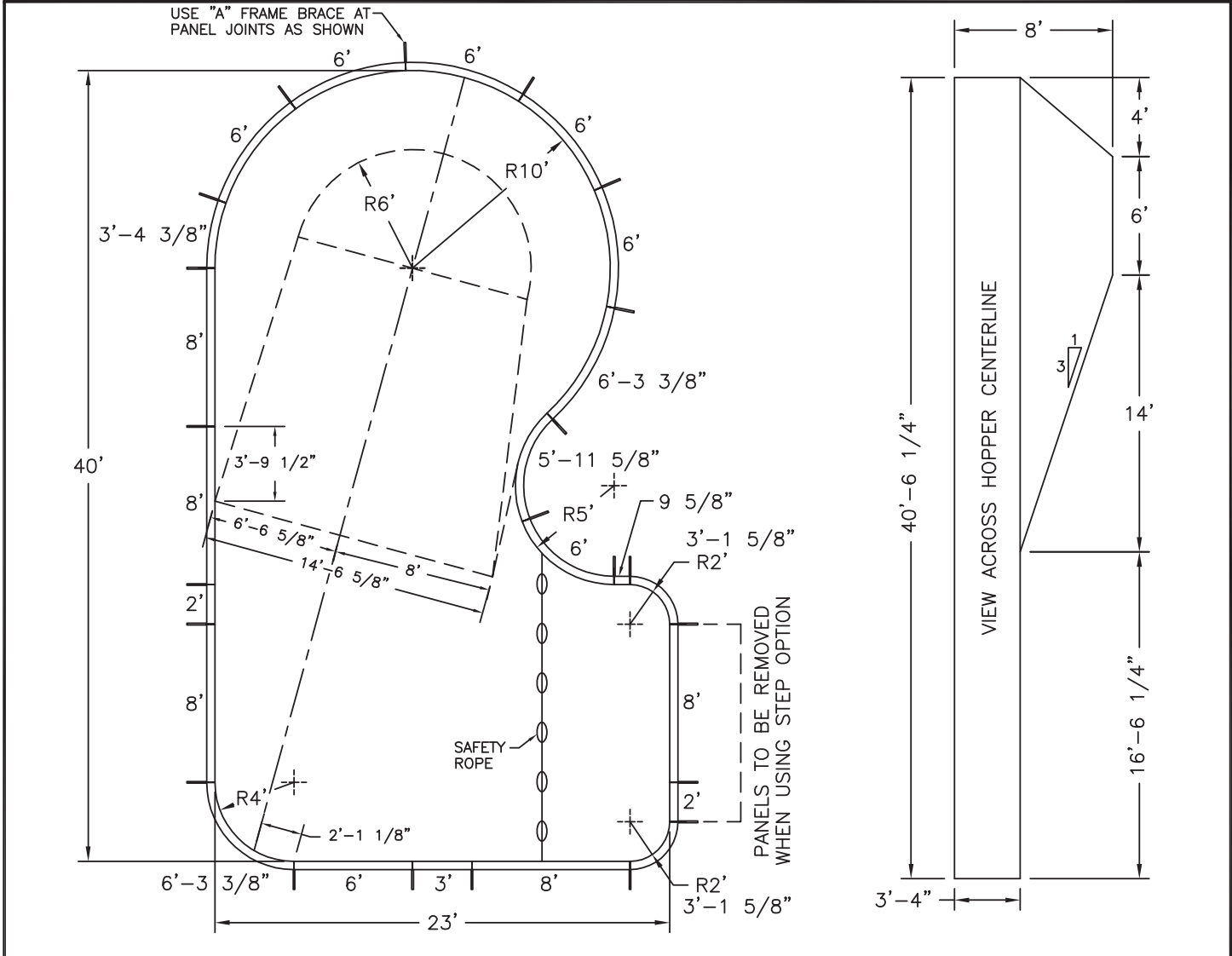
This information is the confidential property of Cardinal Systems, Inc. Disclosure or duplication without proper written approval is strictly prohibited. Acceptance and use of this drawing constitutes knowledge and acceptance by the user of the terms and conditions set forth in the notice and warning which accompanied this drawing is incorporated herein and made part hereof and is found on Cardinal Systems, Inc's website at www.CardinalSystemsInc.com



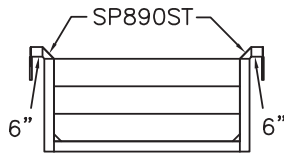
Name: **20' X 40' CELEBRITY**

Number: **2040CELEB**

250 Route 61 South, Schuylkill Haven, PA 17972 • 570-385-4733 • fax: 570-385-1318 • CustomerService@CardinalSystemsInc.com



STEEL STEP OPTION #1



8' STEEL STEP
SPSX3080XXXXXX

PLASTIC STEP OPTION #2



8' PLASTIC STEP

3' Deck Area: **382.3 SQ. FT.**

4' Deck Area : **522.3 SQ. FT.**

Gallons: **28,208**

Perimeter: **117'-11 7/8"**

Date: **2/20/13**

Area: **752.2 SQ. FT.**

Scale: **1/8" = 1'**

Sheet: **1 OF 2**



CardinalSystemsInc.com

This information is the confidential property of Cardinal Systems, Inc. Disclosure or duplication without proper written approval is strictly prohibited. Acceptance and use of this drawing constitutes knowledge and acceptance by the user of the terms and conditions set forth in the notice and warning which accompanied this drawing is incorporated herein and made part hereof and is found on Cardinal Systems, Inc.'s website at www.CardinalSystemsInc.com

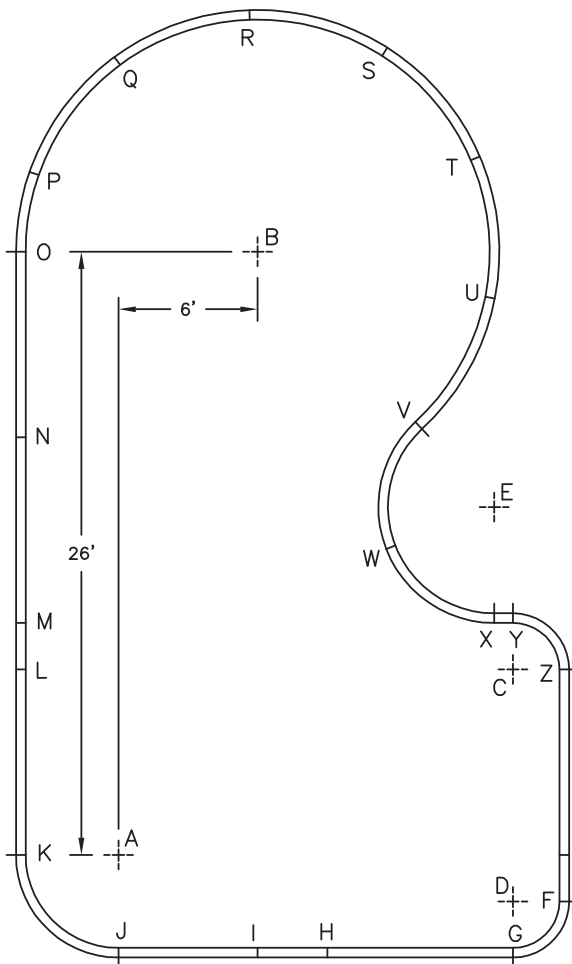


Name: 20' X 40' CELEBRITY


Number: 2040CELEB

250 Route 61 South, Schuylkill Haven, PA 17972 • 570-385-4733 • fax: 570-385-1318 • CustomerService@CardinalSystemsInc.com

PART NO.	QUANTITY			DESCRIPTION
	NO	STEP 1	STEP 2	
5S42800XXX2	5	4	4	8' STRAIGHT PANEL W/2 Z
5S42600XXX1	1	1	1	6' STRAIGHT PANEL W/1 Z
5S42300XXX0	1	1	1	3' STRAIGHT PANEL
5S42200XXX0	2	1	1	2' STRAIGHT PANEL
5S42100XXX0	-	-	2	1' STRAIGHT PANEL
5S42095XXX0	1	1	1	9 5/8" STRAIGHT PANEL
5S42060XXX0	-	2	-	6" STRAIGHT PANEL
5C42633XX10000	1	1	1	6'-3 3/8" x 10' RADIUS PANEL
5C42600XX10000	5	5	5	6' x 10' RADIUS PANEL
5C42343XX10000	1	1	1	3'-4 3/8" x 10' RADIUS PANEL
5C42633XX04000	1	1	1	6'-3' 3/8" x 4' RADIUS PANEL
5C42315XX02000	2	2	2	3'-1 5/8" x 2' RADIUS PANEL
5R42600XX05000	1	1	1	6' x 5' REVERSE RADIUS PANEL
5R425E5XX05000	1	1	1	5'-11 5/8" x 5' REVERSE RADIUS PANEL
SPSX3080XXXXXXC	-	1	-	8' STRAIGHT STEEL STEP (COMPLETE)
SP890ST	-	2	-	STRAIGHT WALL STEP TRANSITION PANEL
BP260JS	1	1	1	260 NUTS/BOLTS - LARGE BOLT PACK
	22	21	21	"A" FRAME ASSEMBLY



POINTS	DISTANCE	POINTS	DISTANCE
A-B	26'-8 1/4"	Z-G	12'-2"
A-C	18'-9 1/2"	Z-H	15'-7 1/2"
A-D	17'-1 3/8"	Z-I	17'-8 1/4"
A-E	22'-0 7/8"	Z-J	22'-5 5/8"
B-C	21'-1 1/8"	Z-K	24'-4 1/4"
B-D	30'-1"	Z-L	23'
B-E	15'	Z-M	23'-1"
F-G	2'-10"	Z-N	25'-1"
F-H	10'-2 3/8"	Z-O	29'-2 1/2"
F-I	13'-1 7/8"	Z-P	30'-11 1/4"
F-J	19'-1 1/4"	Z-Q	32'-2 1/2"
F-K	23'-1"	Z-R	31'-0 1/8"
F-L	25'-1"	Z-S	27'-6 1/4"
F-M	25'-11 1/4"	Z-T	22'-3 1/4"
F-N	30'-5 3/4"	Z-U	16'-4 1/2"
F-O	36'-2 7/8"	Z-V	12'-4"
F-P	38'-6 1/8"	Z-W	9'-1"
F-Q	40'-8 5/8"	Z-X	3'-5 1/4"
F-R	40'-3 1/4"	Z-Y	2'-10"
F-S	37'-2 3/4"		
F-T	32'-2"		
F-U	26'-3 1/8"		
F-V	21'-6 7/8"		
F-W	16'-11 1/8"		
F-X	12'-3 7/8"		
F-Y	12'-2"		
F-Z	10'		

3' Deck Area: 382.3 SQ. FT.	4' Deck Area : 522.3 SQ. FT.	 CardinalSystemsInc.com
Gallons: 28,208	Perimeter: 117'-11 7/8"	
Date: 2/20/13	Area: 752.2 SQ. FT.	
Scale: 1/8" = 1'	Sheet: 2 OF 2	

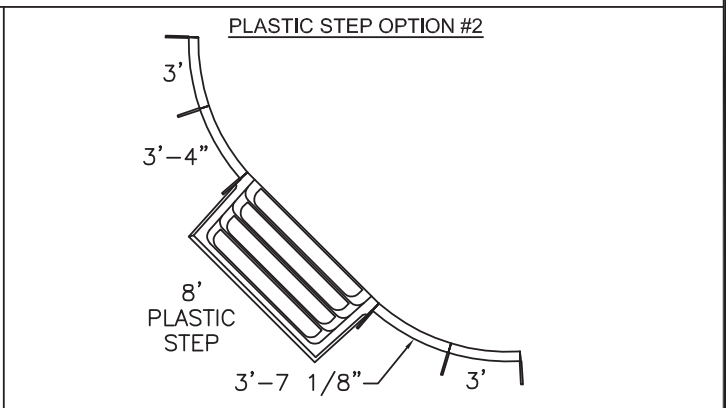
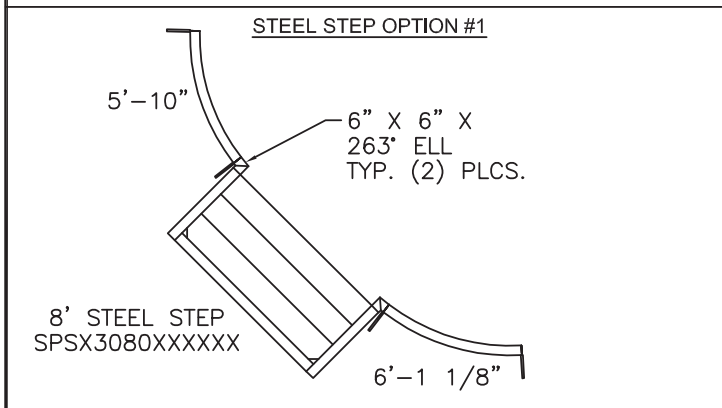
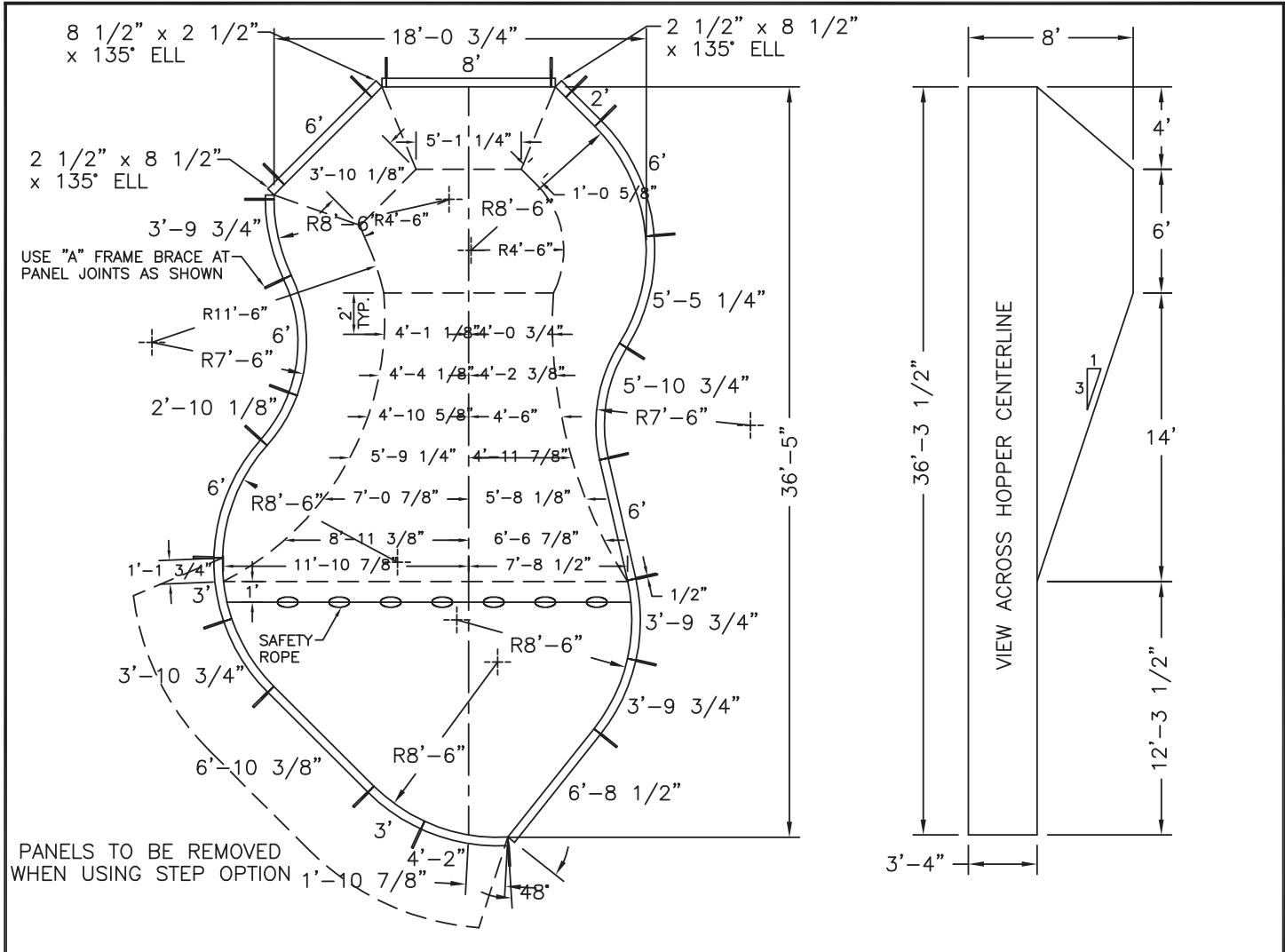
This information is the confidential property of Cardinal Systems, Inc. Disclosure or duplication without proper written approval is strictly prohibited. Acceptance and use of this drawing constitutes knowledge and acceptance by the user of the terms and conditions set forth in the notice and warning which accompanied this drawing is incorporated herein and made part hereof and is found on Cardinal Systems, Inc's website at www.CardinalSystemsInc.com



Name: 18' X 36' MOUNTAIN LAKE

Number: 1836MTLK

250 Route 61 South, Schuylkill Haven, PA 17972 • 570-385-4733 • fax: 570-385-1318 • CustomerService@CardinalSystemsInc.com



3' Deck Area: 317.0 SQ. FT.
Gallons: 20,955
Date: 2/20/13
Scale: 1/8" = 1'

4' Deck Area : 435.6 SQ. FT.
Perimeter: 95'-11 7/8"
Area: 558.8 SQ. FT.
Sheet: 1 OF 2



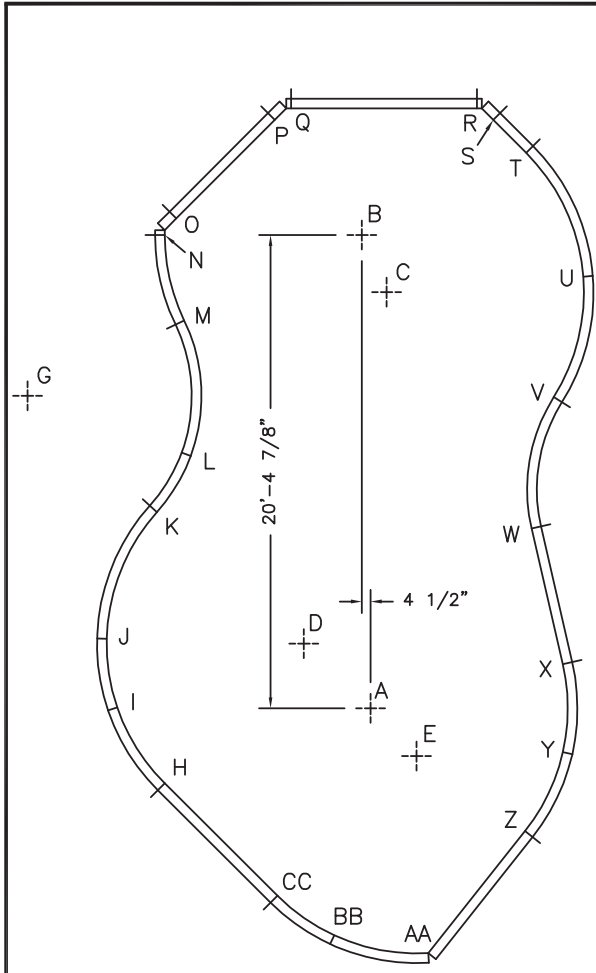
This information is the confidential property of Cardinal Systems, Inc. Disclosure or duplication without proper written approval is strictly prohibited. Acceptance and use of this drawing constitutes knowledge and acceptance by the user of the terms and conditions set forth in the notice and warning which accompanied this drawing is incorporated herein and made part hereof and is found on Cardinal Systems, Inc's website at www.CardinalSystemsInc.com



Name: 18' X 36' MOUNTAIN LAKE

Number: 1836MTLK


250 Route 61 South, Schuylkill Haven, PA 17972 • 570-385-4733 • fax: 570-385-1318 • CustomerService@CardinalSystemsInc.com



PART NO.	QUANTITY			DESCRIPTION
	NO	STEP 1	STEP 2	
5S42800XXX2	1	1	1	8' STRAIGHT PANEL W/2 Z
5S426T3XXX1	1	-	-	6'-10 3/8" STRAIGHT PANEL W/1 Z
5S42684XXX1	1	1	1	6'-8 1/2" STRAIGHT PANEL W/1 Z
5S42600XXX1	2	2	2	6' STRAIGHT PANEL W/1 Z
5S42200XXX0	1	1	1	2' STRAIGHT PANEL
5C42611XX08600	-	1	-	6'-1 1/8" x 8'-6" RADIUS PANEL
5C42600XX08600	2	2	2	6' x 8'-6" RADIUS PANEL
5C425T0XX08600	-	1	-	5'-10" x 8'-6" RADIUS PANEL
5C42552XX08600	1	1	1	5'-5 1/4" x 8'-6" RADIUS PANEL
5C42420XX08600	1	-	-	4'-2" x 8'-6" RADIUS PANEL
5C423T6XX08600	1	-	-	3'-10 3/4" x 8'-6" RADIUS PANEL
5C42396XX08600	3	3	3	3'-9 3/4" x 8'-6" RADIUS PANEL
5C42371XX08600	-	-	1	3'-7 1/8" x 8'-6" RADIUS PANEL
5C42340XX08600	-	-	1	3'-4" x 8'-6" RADIUS PANEL
5C42300XX08600	2	-	2	3' x 8'-6" RADIUS PANEL
5R42600XX07600	1	1	1	6' x 7'-6" REVERSE RADIUS PANEL
5R425T6XX07600	1	1	1	5'-10 3/4" x 7'-6" REVERSE RADIUS PANEL
5R422T1XX07600	1	1	1	2'-10 1/8" x 7'-6" REVERSE RADIUS PANEL
5T42084135024	1	1	1	8 1/2" x 2 1/2" x 135° ELL
5T42024135084	2	2	2	2 1/2" x 8 1/2" x 135° ELL
5T42060263060	-	2	-	6" x 6" x 263° ELL
SPSX3080XXXXXC	-	1	-	8' STRAIGHT STEEL STEP (COMPLETE)
CS930WW-48	1	1	1	48° CORNER ANGLE
BP820GB	9	9	9	2" LONG GRECIAN BENT BOLT
BP260JS	1	1	1	260 NUTS/BOLTS - LARGE BOLT PACK
	22	20	22	"A" FRAME ASSEMBLY

POINTS	DISTANCE
A-B	20'-4 7/8"
A-C	17'-11 3/8"
A-D	4'
A-E	2'-10 1/4"
A-F	17'-1"
A-G	20'
B-C	2'-8 1/4"
B-D	17'-9 1/2"
B-E	22'-7"
B-F	18'-3 3/8"
B-G	16'

POINTS	DISTANCE	POINTS	DISTANCE
H-I	3'-10 3/8"	CC-I	10'-7 7/8"
H-J	6'-8 1/2"	CC-J	13'-3 1/2"
H-K	11'-8 3/8"	CC-K	17'-4"
H-L	14'-1 7/8"	CC-L	19'-3 7/8"
H-M	19'-11 5/8"	CC-M	25'-1 3/8"
H-N	23'-7 5/8"	CC-N	28'-10 5/8"
H-O	24'-4 1/4"	CC-O	29'-6 1/8"
H-P	28'-11 3/4"	CC-P	33'-5 1/8"
H-Q	29'-7 1/8"	CC-Q	33'-11 1/4"
H-R	32'-0 5/8"	CC-R	35'
H-S	31'-10 7/8"	CC-S	34'-8 3/8"
H-T	31'-3 7/8"	CC-T	33'-9 1/8"
H-U	28'-3 7/8"	CC-U	29'-9 1/8"
H-V	23'-7 1/2"	CC-V	24'-6 7/8"
H-W	19'-3"	CC-W	19'-3"
H-X	17'-10 7/8"	CC-X	15'-10"
H-Y	17'-2 5/8"	CC-Y	13'-9 3/8"
H-Z	15'-8"	CC-Z	11'-0 3/8"
H-AA	13'-6 1/8"	CC-AA	6'-11 3/8"
H-BB	9'-9 3/4"	CC-BB	2'-11 7/8"
H-CC	6'-10 3/8"		

3' Deck Area: 317.0 SQ. FT.	4' Deck Area : 435.6 SQ. FT.	 CardinalSystemsInc.com
Gallons: 20,955	Perimeter: 95'-11 7/8"	
Date: 2/20/13	Area: 558.8 SQ. FT.	
Scale: 1/8" = 1'	Sheet: 2 OF 2	

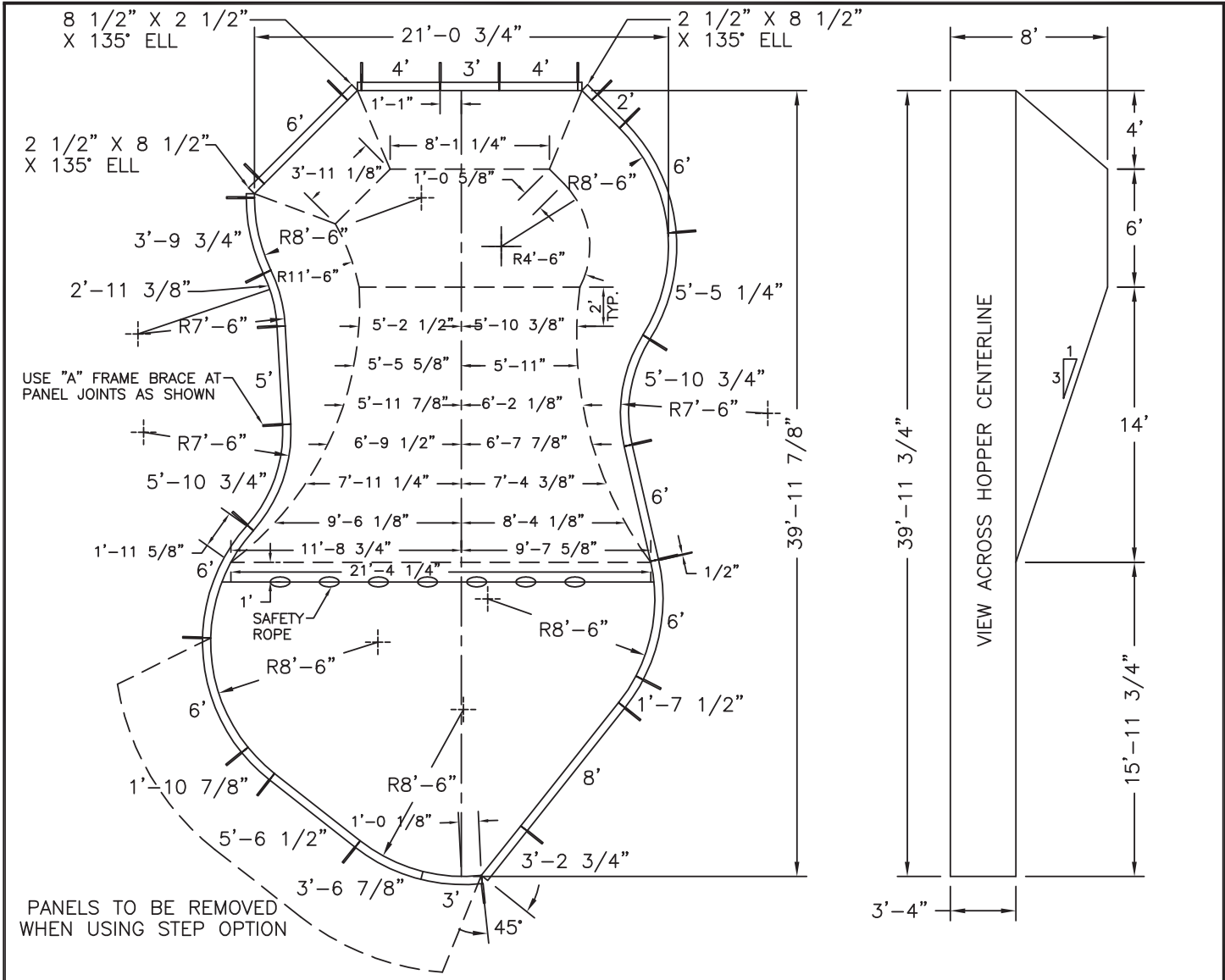
This information is the confidential property of Cardinal Systems, Inc. Disclosure or duplication without proper written approval is strictly prohibited. Acceptance and use of this drawing constitutes knowledge and acceptance by the user of the terms and conditions set forth in the notice and warning which accompanied this drawing is incorporated herein and made part hereof and is found on Cardinal Systems, Inc's website at www.CardinalSystemsInc.com



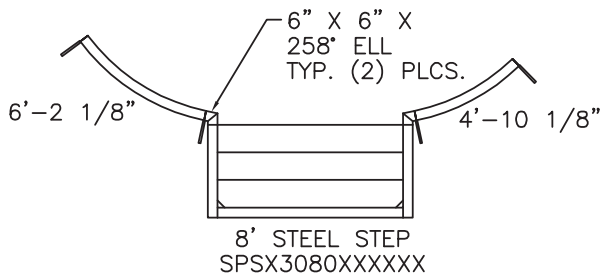
Name: 21' X 40' MOUNTAIN LAKE

Number: 2140MTLK

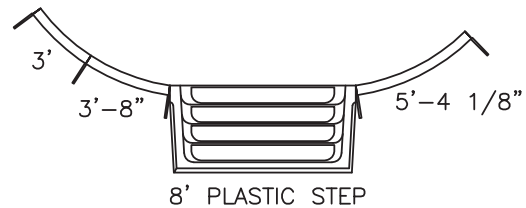
250 Route 61 South, Schuylkill Haven, PA 17972 • 570-385-4733 • fax: 570-385-1318 • CustomerService@CardinalSystemsInc.com



STEEL STEP OPTION #1



PLASTIC STEP OPTION #2



3' Deck Area: 351.9 SQ. FT.

4' Deck Area : 482.0 SQ. FT.

Gallons: 26,441

Perimeter: 107'-7 1/4"

Date: 2/20/13

Area: 705.1 SQ. FT.

Scale: 1/8" = 1'

Sheet: 1 OF 2



CardinalSystemsInc.com

This information is the confidential property of Cardinal Systems, Inc. Disclosure or duplication without proper written approval is strictly prohibited. Acceptance and use of this drawing constitutes knowledge and acceptance by the user of the terms and conditions set forth in the notice and warning which accompanied this drawing is incorporated herein and made part hereof and is found on Cardinal Systems, Inc's website at www.CardinalSystemsInc.com

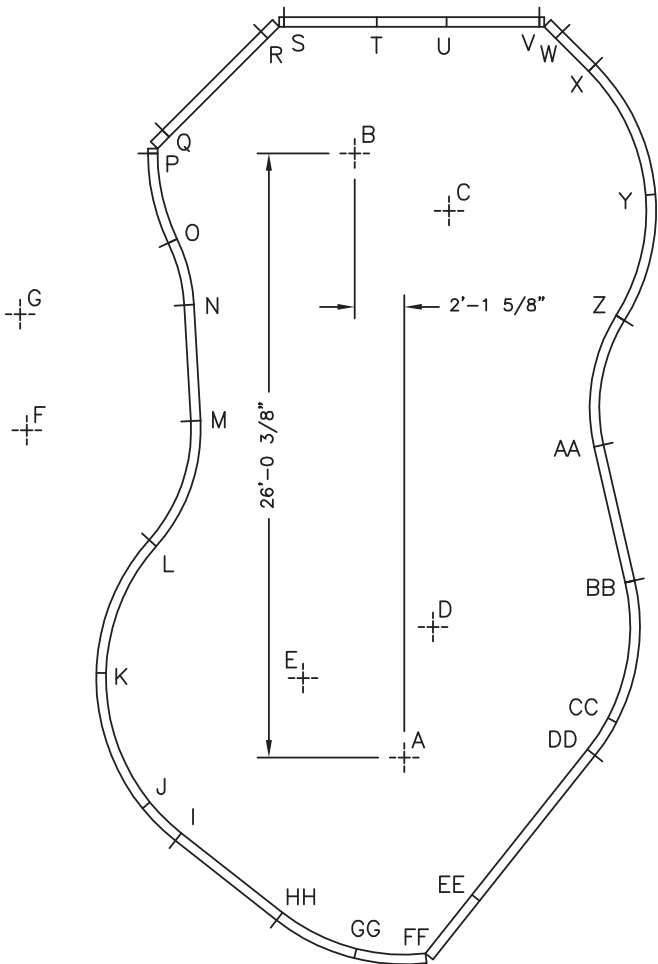


Name: 21' X 40' MOUNTAIN LAKE

Number: 2140MTLK

250 Route 61 South, Schuylkill Haven, PA 17972 • 570-385-4733 • fax: 570-385-1318 • CustomerService@CardinalSystemsInc.com

POINTS	DISTANCE
A-B	26'-1 3/8"
A-C	23'-7 5/8"
A-D	5'-9 1/8"
A-E	5'-6 1/2"
A-F	21'-6 3/8"
A-G	25'-3 1/4"
A-H	21'-7 1/4"
B-C	4'-9 1/8"
B-D	20'-8 1/4"
B-E	22'-8 5/8"
B-F	18'-6"
B-G	16'
B-H	20'-9 1/8"



PART NO.	QUANTITY			DESCRIPTION
	NO	STEP 1	STEP 2	
5S42800XXX2	1	1	1	8' STRAIGHT PANEL W/2 Z
5S42600XXX1	2	2	2	6' STRAIGHT PANEL W/1 Z
5S42564XXX0	1	-	-	5'-6 1/2" STRAIGHT PANEL
5S42500XXX0	1	1	1	5' STRAIGHT PANEL
5S42400XXX0	2	2	2	4' STRAIGHT PANEL
5S42326XXX0	1	1	1	3'-2 3/4" STRAIGHT PANEL
5S42300XXX0	1	1	1	3' STRAIGHT PANEL
5S42200XXX0	1	1	1	2' STRAIGHT PANEL
5C42621XX08600	-	1	-	6'-2 1/8" x 8'-6" RADIUS PANEL
5C42600XX08600	4	3	3	6' x 8'-6" RADIUS PANEL
5C42552XX08600	1	1	1	5'-5 1/4" x 8'-6" RADIUS PANEL
5C42541XX08600	-	-	1	5'-4 1/8" x 8'-6" RADIUS PANEL
5C424T1XX08600	-	1	-	4'-10 1/8" x 8'-6" RADIUS PANEL
5C42396XX08600	1	1	1	3'-9 3/4" x 8'-6" RADIUS PANEL
5C42380XX08600	-	-	1	3'-8" x 8'-6" RADIUS PANEL
5C42367XX08600	1	-	-	3'-6 7/8" x 8'-6" RADIUS PANEL
5C42300XX08600	1	-	1	3' x 8'-6" RADIUS PANEL
5C421T7XX08600	1	-	-	1'-10 7/8" x 8'-6" RADIUS PANEL
5C42174XX08600	1	1	1	1'-7 1/2" x 8'-6" RADIUS PANEL
5R425T6XX07600	2	2	2	5'-10 3/4" x 7'-6" REVERSE RADIUS PANEL
5R422E3XX07600	1	1	1	2'-11 3/8" x 7'-6" REVERSE RADIUS PANEL
5T42084135024	1	1	1	8 1/2" x 2 1/2" x 135° ELL
5T42024135084	2	2	2	2 1/2" x 8 1/2" x 135° ELL
5T42060258060	-	2	-	6" x 6" x 258° ELL
SPSX3080XXXXC	-	1	-	8' STRAIGHT STEEL STEP (COMPLETE)
CS901GC	1	1	1	GRECIAN CORNER ANGLE
BP820GB	9	9	9	2" LONG GRECIAN BENT BOLT
BP260JS	1	1	1	260 NUTS/BOLTS - LARGE BOLT PACK
	25	24	25	"A" FRAME ASSEMBLY

POINTS	DISTANCE	POINTS	DISTANCE
I-J	1'-10 3/4"	HH-J	7'-5 1/4"
I-K	7'-7 1/2"	HH-K	12'-9 7/8"
I-L	12'-4 7/8"	HH-L	16'-8 1/4"
I-M	17'-9 5/8"	HH-M	21'-6"
I-N	22'-9 3/8"	HH-N	26'-5 5/8"
I-O	25'-7 1/4"	HH-O	29'-4 5/8"
I-P	29'-3 3/4"	HH-P	33'-1 7/8"
I-Q	30'-0 1/8"	HH-Q	33'-9 3/8"
I-R	34'-5 3/8"	HH-R	37'-8 1/8"
I-S	35'-0 3/8"	HH-S	38'-2"
I-T	35'-9"	HH-T	38'-4 5/8"
I-U	36'-6 7/8"	HH-U	38'-9 7/8"
I-V	38'-0 1/4"	HH-V	39'-8 7/8"
I-W	37'-10 1/4"	HH-W	39'-5 5/8"
I-X	37'-2 3/4"	HH-X	38'-7"
I-Y	34'-0 1/8"	HH-Y	34'-7 7/8"
I-Z	29'-1 5/8"	HH-Z	29'-5 3/4"
I-AA	24'-4 1/4"	HH-AA	24'-1 5/8"
I-BB	21'-11 1/2"	HH-BB	20'-6"
I-CC	19'-0 1/2"	HH-CC	16'-4 1/8"
I-DD	17'-10 3/8"	HH-DD	14'-10 7/8"
I-EE	12'-9 5/8"	HH-EE	8'-2 3/8"
I-FF	11'-8 3/4"	HH-FF	6'-4 7/8"
I-GG	9'-0 1/2"	HH-GG	3'-6 1/2"
I-HH	5'-6 1/2"		

3' Deck Area: 351.9 SQ. FT.

4' Deck Area : 482.0 SQ. FT.

Gallons: 26,441

Perimeter: 107'-7 1/4"

Date: 2/20/13

Area: 705.1 SQ. FT.

Scale: 1/8" = 1'

Sheet: 2 OF 2



CardinalSystemsInc.com

This information is the confidential property of Cardinal Systems, Inc. Disclosure or duplication without proper written approval is strictly prohibited. Acceptance and use of this drawing constitutes knowledge and acceptance by the user of the terms and conditions set forth in the notice and warning which accompanied this drawing is incorporated herein and made part hereof and is found on Cardinal Systems, Inc's website at www.CardinalSystemsInc.com

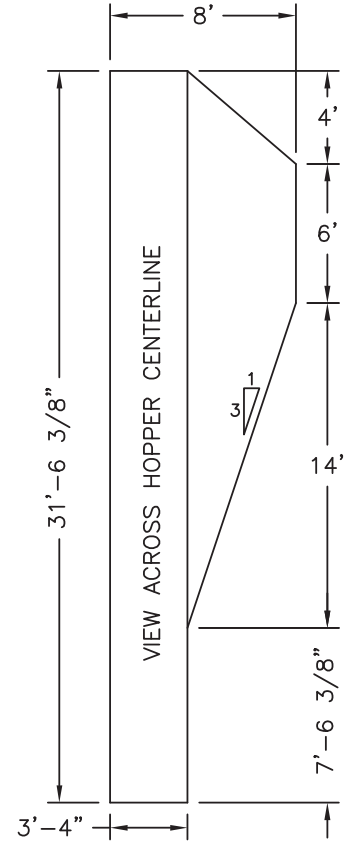
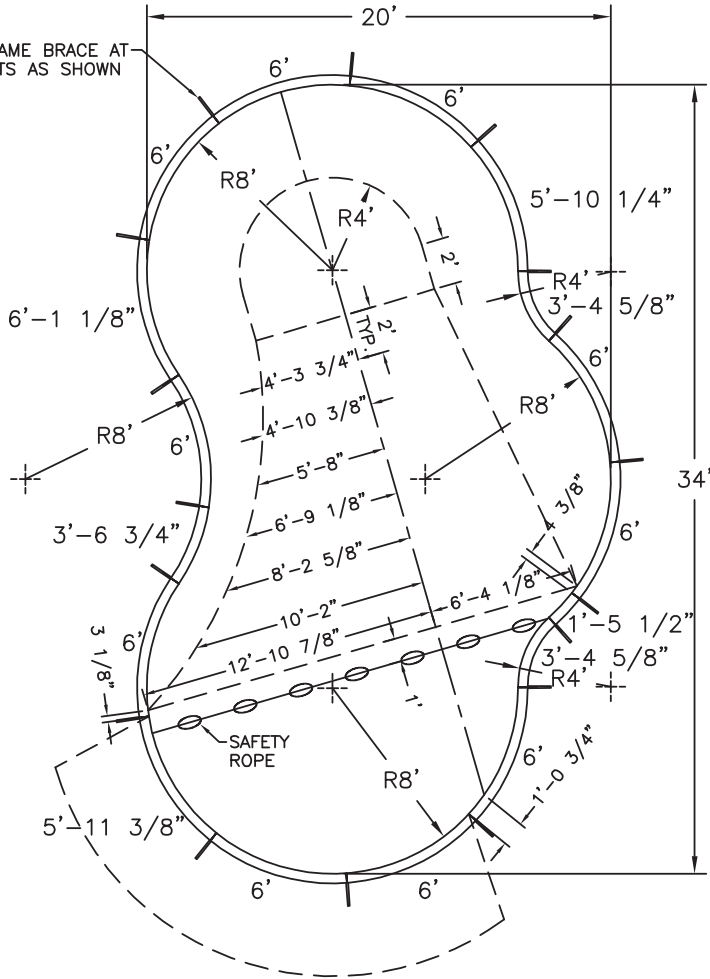


Name: 16' X 34' OASIS

Number: 1634OASIS

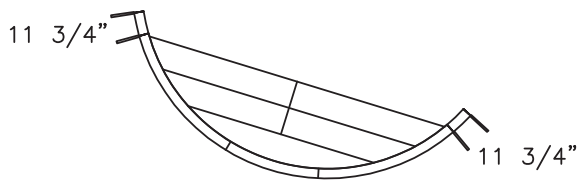
250 Route 61 South, Schuylkill Haven, PA 17972 • 570-385-4733 • fax: 570-385-1318 • CustomerService@CardinalSystemsInc.com

USE "A" FRAME BRACE AT PANEL JOINTS AS SHOWN



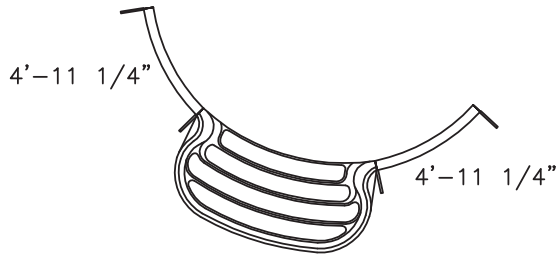
PANELS TO BE REMOVED WHEN USING STEP OPTION

STEEL STEP OPTION #1



8' RADIUS STEEL STEP SPTR3080XXXXXX

PLASTIC STEP OPTION #2



8' CURVED PLASTIC STEP

3' Deck Area: 297.3 SQ. FT.

4' Deck Area : 409.0 SQ. FT.

Gallons: 18,919

Perimeter: 89'-8 1/8"

Date: 2/20/13

Area: 504.5 SQ. FT.

Scale: 1/8" = 1'

Sheet: 1 OF 2



CardinalSystemsInc.com

This information is the confidential property of Cardinal Systems, Inc. Disclosure or duplication without proper written approval is strictly prohibited. Acceptance and use of this drawing constitutes knowledge and acceptance by the user of the terms and conditions set forth in the notice and warning which accompanied this drawing is incorporated herein and made part hereof and is found on Cardinal Systems, Inc's website at www.CardinalSystemsInc.com



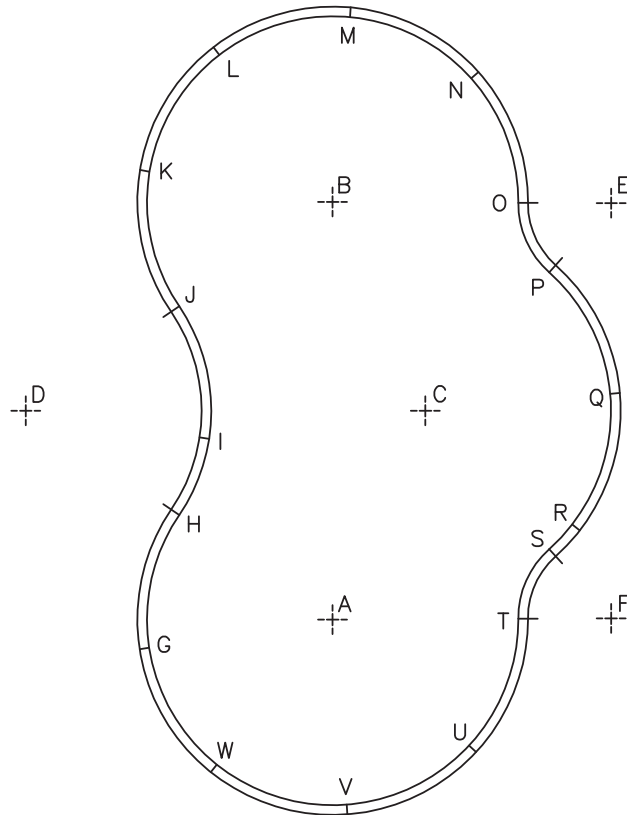
Name: 16' X 34' OASIS


Number: 1634OASIS

250 Route 61 South, Schuylkill Haven, PA 17972 • 570-385-4733 • fax: 570-385-1318 • CustomerService@CardinalSystemsInc.com

PART NO.	QUANTITY			DESCRIPTION
	NO	STEP 1	STEP 2	
5C42611XX08000	1	1	1	6'-1 1/8" x 8' RADIUS PANEL
5C42600XX08000	9	7	7	6' x 8' RADIUS PANEL
5C425E3XX08000	1	-	-	5'-11 3/8" x 8' RADIUS PANEL
5C425T2XX08000	1	1	1	5'-10 1/4" x 8' RADIUS PANEL
5C424E2XX08000	-	-	2	4'-11 1/4" x 8' RADIUS PANEL
5C42154XX08000	1	1	1	1'-5 1/2" x 8' RADIUS PANEL
5C420E6XX08000	-	2	-	11 3/4" x 8' RADIUS PANEL
5R42600XX08000	1	1	1	6' x 8' REVERSE RADIUS PANEL
5R42366XX08000	1	1	1	3'-6 3/4" x 8' REVERSE RADIUS PANEL
5R42345XX04000	2	2	2	3'-4 5/8" x 4' REVERSE RADIUS PANEL
SPTR3080XXXXXC	-	1	-	8' RADIUS STEEL STEP (COMPLETE)
BP260JS	1	1	1	260 NUTS/BOLTS - LARGE BOLT PACK
	17	17	17	"A" FRAME ASSEMBLY

POINTS	DISTANCE
A-B	18'
A-C	9'-10 1/8"
A-D	16'
A-E	21'-7"
A-F	12'
B-C	9'-10 1/8"
B-D	16'
B-E	12'
B-F	21'-7"
G-H	5'-10 3/8"
G-I	9'-4 3/8"
G-J	14'-9 1/4"
G-K	20'-6 1/4"
G-L	25'-8 3/4"
G-M	28'-6 1/4"
G-N	28'-2 1/4"
G-O	24'-11"
G-P	23'-7 3/4"
G-Q	22'-8 1/4"
G-R	18'-11 7/8"
G-S	17'-9 1/8"
G-T	15'-11 1/2"
G-U	14'-5"
G-V	10'-10 3/8"
G-W	5'-9 3/4"
U-H	15'-11 1/2"
U-I	17'-3 7/8"
U-J	22'-8 1/8"
U-K	28'-3 3/4"
U-L	31'-7 3/4"
U-M	31'-9 3/4"
U-N	28'-9"
U-O	23'-5 7/8"
U-P	20'-8 1/8"
U-Q	16'-4"
U-R	10'-6 1/8"
U-S	9'-1 3/4"
U-T	5'-10 3/8"
U-V	5'-10 3/8"
U-W	10'-10 7/8"



3' Deck Area: 297.3 SQ. FT.	4' Deck Area : 409.0 SQ. FT.	 CardinalSystemsInc.com
Gallons: 18,919	Perimeter: 89'-8 1/8"	
Date: 2/20/13	Area: 504.5 SQ. FT.	
Scale: 1/8" = 1'	Sheet: 2 OF 2	

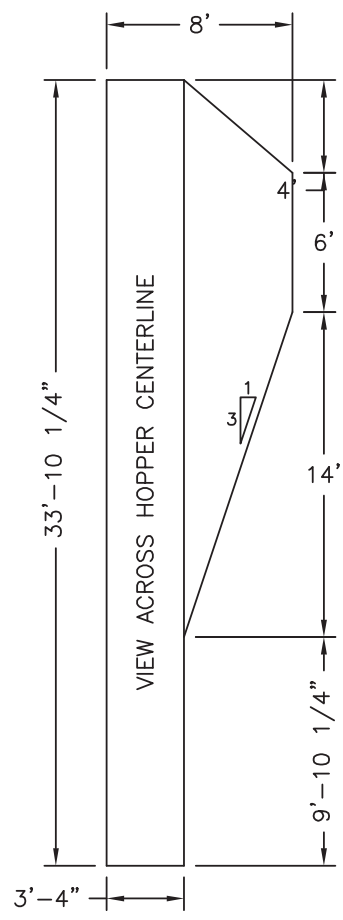
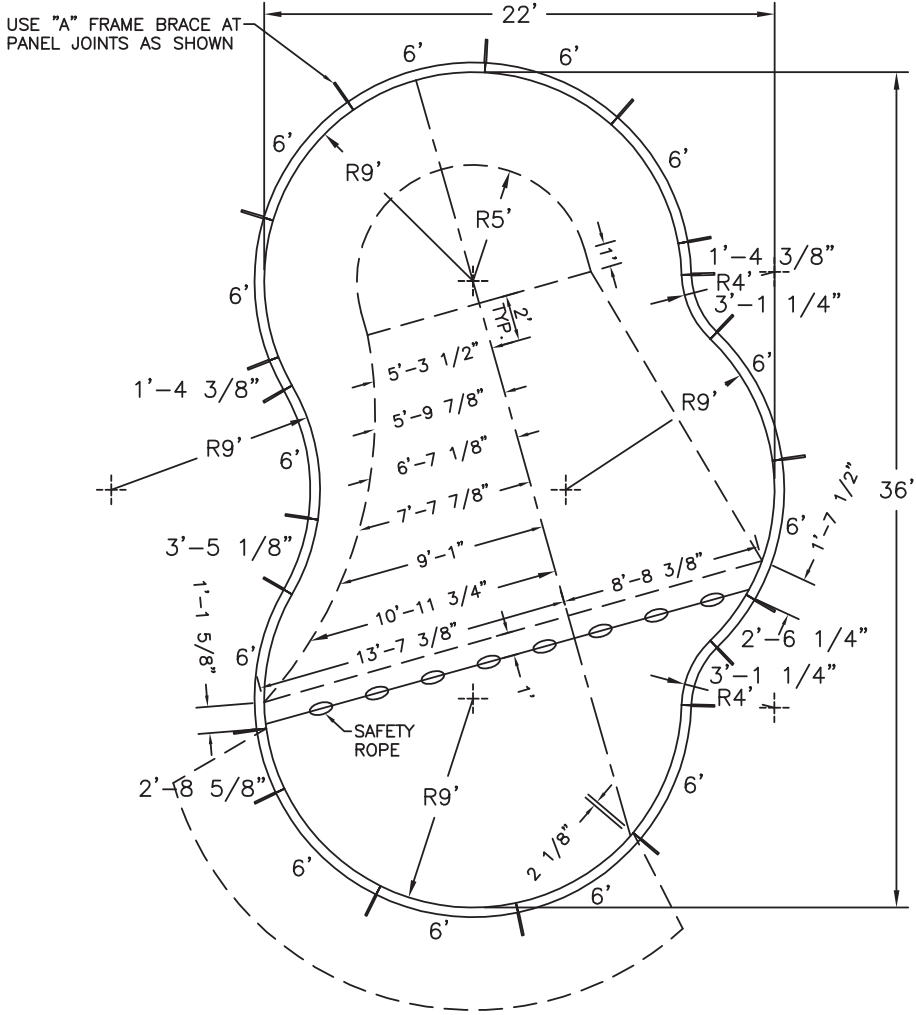
This information is the confidential property of Cardinal Systems, Inc. Disclosure or duplication without proper written approval is strictly prohibited. Acceptance and use of this drawing constitutes knowledge and acceptance by the user of the terms and conditions set forth in the notice and warning which accompanied this drawing is incorporated herein and made part hereof and is found on Cardinal Systems, Inc's website at www.CardinalSystemsInc.com



Name: 18' X 36' OASIS

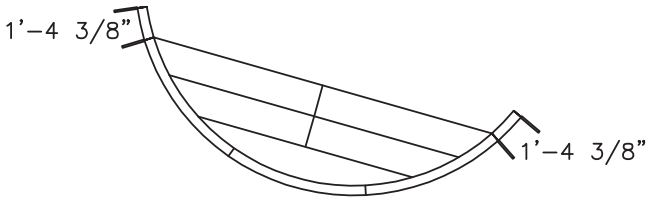
Number: 1836OASIS

250 Route 61 South, Schuylkill Haven, PA 17972 • 570-385-4733 • fax: 570-385-1318 • CustomerService@CardinalSystemsInc.com



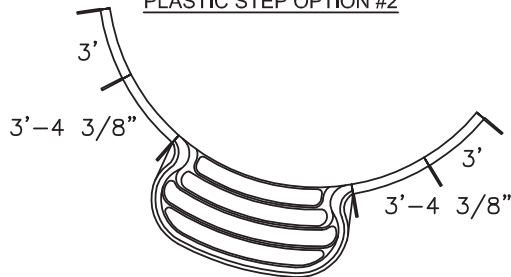
PANELS TO BE REMOVED WHEN USING STEP OPTION

STEEL STEP OPTION #1



9' RADIUS STEEL STEP
SPTR3090XXXXXX

PLASTIC STEP OPTION #2



8' CURVED PLASTIC STEP

3' Deck Area: 315.0 SQ. FT.

4' Deck Area : 432.6 SQ. FT.

Gallons: 22,493

Perimeter: 95'-7 1/4"

Date: 2/20/13

Area: 599.8 SQ. FT.

Scale: 1/8" = 1'

Sheet: 1 OF 2



CardinalSystemsInc.com

This information is the confidential property of Cardinal Systems, Inc. Disclosure or duplication without proper written approval is strictly prohibited. Acceptance and use of this drawing constitutes knowledge and acceptance by the user of the terms and conditions set forth in the notice and warning which accompanied this drawing is incorporated herein and made part hereof and is found on Cardinal Systems, Inc's website at www.CardinalSystemsInc.com



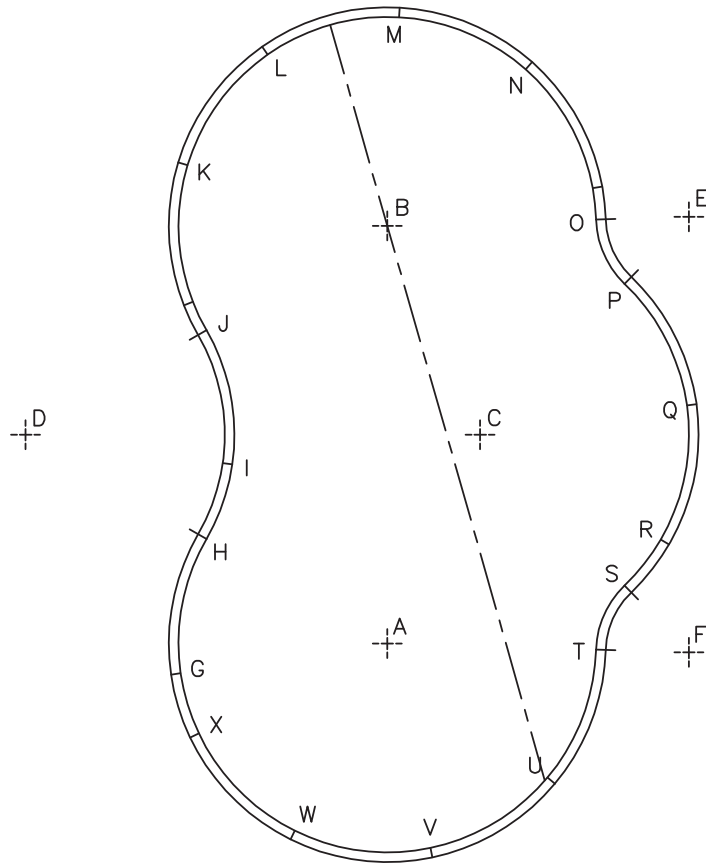
Name: 18' X 36' OASIS


Number: 1836OASIS

250 Route 61 South, Schuylkill Haven, PA 17972 • 570-385-4733 • fax: 570-385-1318 • CustomerService@CardinalSystemsInc.com

PART NO.	QUANTITY			DESCRIPTION
	NO	STEP 1	STEP 2	
5C42600XX09000	12	9	9	6' x 9' RADIUS PANEL
5C42343XX09000	-	-	2	3'-4 3/8" x 9' RADIUS PANEL
5C42300XX09000	-	-	2	3' x 9' RADIUS PANEL
5C42285XX09000	1	-	-	2'-8 5/8" x 9' RADIUS PANEL
5C42262XX09000	1	1	1	2'-6 1/4" x 9' RADIUS PANEL
5C42143XX09000	2	4	2	11 3/4" x 8' RADIUS PANEL
5R42600XX09000	1	1	1	6' x 9' REVERSE RADIUS PANEL
5R42351XX09000	1	1	1	3'-5 1/8" x 9' REVERSE RADIUS PANEL
5R42312XX04000	2	2	2	3'-1 1/4" x 4' REVERSE RADIUS PANEL
SPTR3090XXXXXC	-	1	-	9' RADIUS STEEL STEP (COMPLETE)
BP260JS	1	1	1	260 NUTS/BOLTS - LARGE BOLT PACK
	20	19	21	"A" FRAME ASSEMBLY

POINTS	DISTANCE
A-B	18'
A-C	9'-10 1/8"
A-D	18'
A-E	22'-6 1/8"
A-F	13'
B-C	9'-10 1/8"
B-D	18'
B-E	13'
B-F	22'-6 1/8"
G-H	5'-10 5/8"
G-I	9'-3 1/4"
G-J	14'-9 7/8"
G-K	21'-10 3/4"
G-L	26'-11 1/8"
G-M	29'-9 1/2"
G-N	29'-11 3/4"
G-O	26'-6 1/8"
G-P	25'-5 3/8"
G-Q	24'-8 1/4"
G-R	21'-5 3/4"
G-S	19'-6 1/8"
G-T	17'-11 1/4"
G-U	16'-5 1/4"
G-V	13'-1 5/8"
G-W	8'-4 5/8"
G-X	2'-8 1/2"
U-H	17'-11 1/4"
U-I	19'-1 3/4"
U-J	24'-2 7/8"
U-K	30'-7 1/4"
U-L	33'-4 7/8"
U-M	33'-4 1/2"
U-N	30'-6 3/8"
U-O	24'-1 5/8"
U-P	21'-6 3/8"
U-Q	17'-1 3/8"
U-R	11'-4 1/4"
U-S	8'-11"
U-T	5'-10 5/8"
U-V	5'-10 5/8"
U-W	11'-1 5/8"
U-X	15'-1 3/4"



3' Deck Area: 315.0 SQ. FT.	4' Deck Area : 432.6 SQ. FT.	 CardinalSystemsInc.com
Gallons: 22,493	Perimeter: 95'-7 1/4"	
Date: 2/20/13	Area: 599.8 SQ. FT.	
Scale: 1/8" = 1'	Sheet: 2 OF 2	

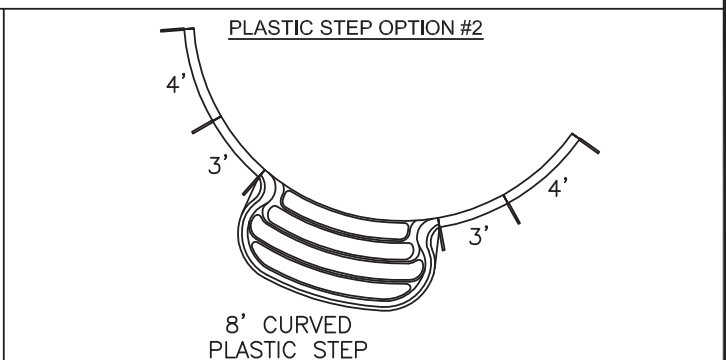
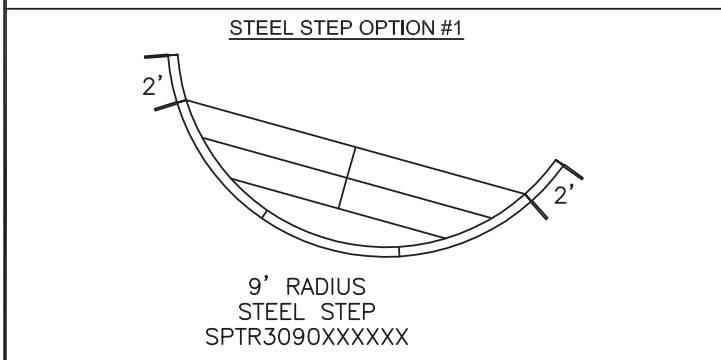
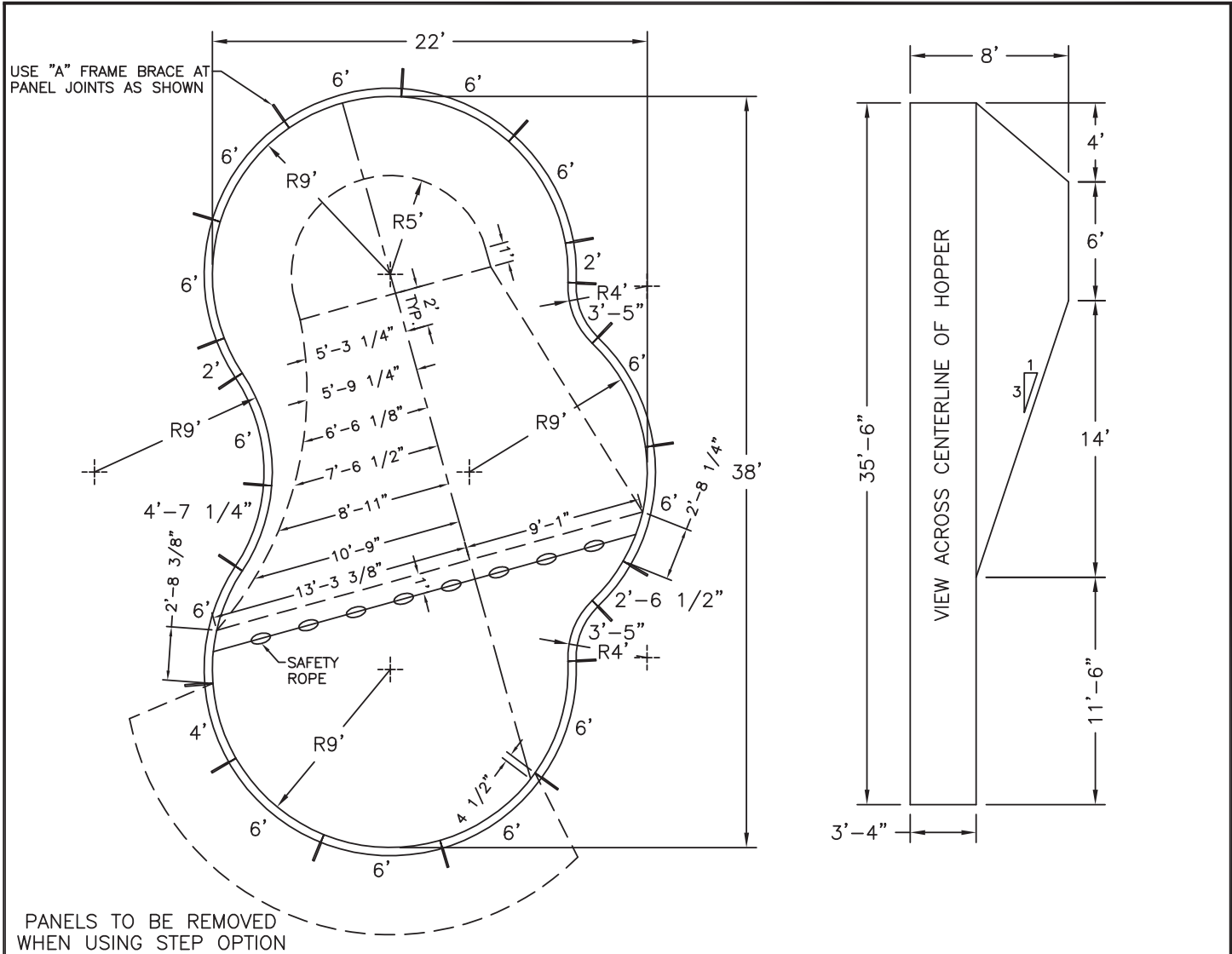
This information is the confidential property of Cardinal Systems, Inc. Disclosure or duplication without proper written approval is strictly prohibited. Acceptance and use of this drawing constitutes knowledge and acceptance by the user of the terms and conditions set forth in the notice and warning which accompanied this drawing is incorporated herein and made part hereof and is found on Cardinal Systems, Inc's website at www.CardinalSystemsInc.com



Name: 18' X 38' OASIS

Number: 1838OASIS

250 Route 61 South, Schuylkill Haven, PA 17972 • 570-385-4733 • fax: 570-385-1318 • CustomerService@CardinalSystemsInc.com



3' Deck Area: 328.2 SQ. FT.	4' Deck Area : 450.1 SQ. FT.
Gallons: 23,516	Perimeter: 99'-11 5/8"
Date: 2/20/13	Area: 627.1 SQ. FT.
Scale: 1/8" = 1'	Sheet: 1 OF 2

CardinalSystemsInc.com

This information is the confidential property of Cardinal Systems, Inc. Disclosure or duplication without proper written approval is strictly prohibited. Acceptance and use of this drawing constitutes knowledge and acceptance by the user of the terms and conditions set forth in the notice and warning which accompanied this drawing is incorporated herein and made part hereof and is found on Cardinal Systems, Inc's website at www.CardinalSystemsInc.com



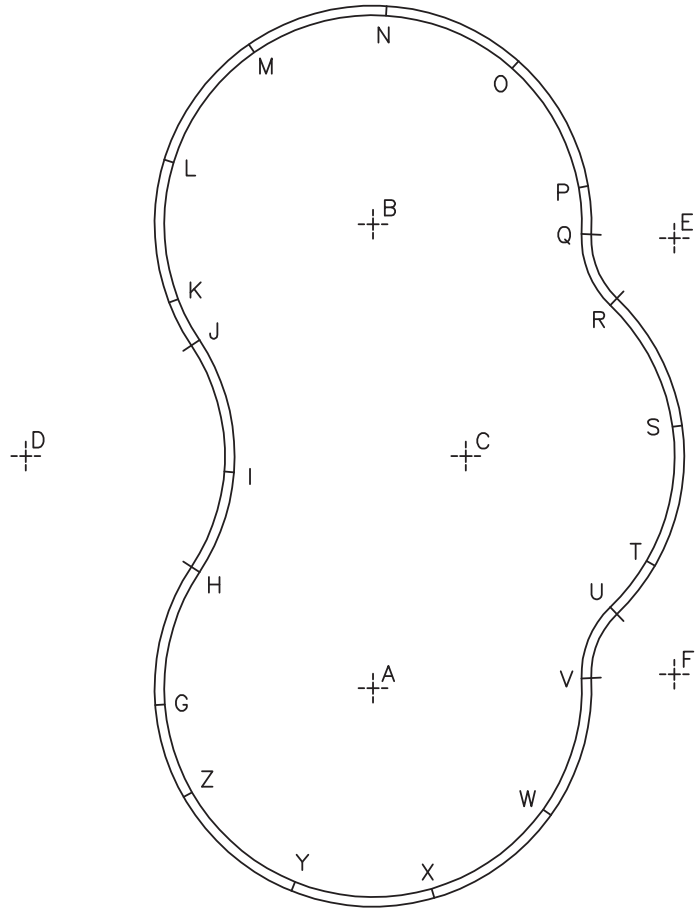
Name: 18' X 38' OASIS

Number: 1838OASIS

250 Route 61 South, Schuylkill Haven, PA 17972 • 570-385-4733 • fax: 570-385-1318 • CustomerService@CardinalSystemsInc.com

PART NO.	QUANTITY			DESCRIPTION
	NO	STEP 1	STEP 2	
5C42600XX09000	12	9	9	6' x 9' RADIUS PANEL
5C42400XX09000	1	-	2	4' x 9' RADIUS PANEL
5C42300XX09000	-	-	2	3' x 9' RADIUS PANEL
5C42264XX09000	1	1	1	2'-6 1/2" x 9' RADIUS PANEL
5C42200XX09000	2	4	2	2' x 9' RADIUS PANEL
5R42600XX09000	1	1	1	6' x 9' REVERSE RADIUS PANEL
5R42472XX09000	1	1	1	4'-7 1/4" x 9' REVERSE RADIUS PANEL
5R42350XX04000	2	2	2	3'-5" x 4' REVERSE RADIUS PANEL
SPTR3090XXXXXC	-	1	-	9' RADIUS STEEL STEP (COMPLETE)
BP260JS	1	1	1	260 NUTS/BOLTS - LARGE BOLT PACK
	20	19	21	"A" FRAME ASSEMBLY

POINTS	DISTANCE
A-B	20'
A-C	10'-9 1/4"
A-D	18'
A-E	23'-4 1/8"
A-F	13'
B-C	10'-9 1/4"
B-D	18'
B-E	13'
B-F	23'-4 1/8"
G-H	5'-10 5/8"
G-I	10'-5 1/4"
G-J	15'-9 1/4"
G-K	17'-5 3/4"
G-L	23'-4 1/4"
G-M	28'-4 3/8"
G-N	31'-2 1/8"
G-O	31'-2 3/4"
G-P	28'-6 3/8"
G-Q	27'-1 1/8"
G-R	25'-9 1/4"
G-S	24'-11 1/4"
G-T	21'-7 7/8"
G-U	19'-7 3/4"
G-V	18'
G-W	16'-11"
G-X	13'-11 5/8"
G-Y	9'-5 7/8"
G-Z	3'-11 1/2"
W-H	18'
W-I	19'-8 1/2"
W-J	25'-0 7/8"
W-K	27'-0 1/2"
W-L	32'-1 3/8"
W-M	34'-11 1/8"
W-N	34'-10 1/2"
W-O	31'-11 5/8"
W-P	26'-10 1/8"
W-Q	24'-10 3/8"
W-R	21'-11 1/8"
W-S	17'-5"
W-T	11'-7 1/4"
W-U	9'-2 3/8"
W-V	5'-10 5/8"
W-X	5'-10 5/8"
W-Y	11'-1 5/8"
W-Z	15'-1 3/4"



3' Deck Area: 328.2 SQ. FT.

4' Deck Area : 450.1 SQ. FT.

Gallons: 23,516

Perimeter: 99'-11 5/8"

Date: 2/20/13

Area: 627.1 SQ. FT.

Scale: 1/8" = 1'

Sheet: 2 OF 2



CardinalSystemsInc.com

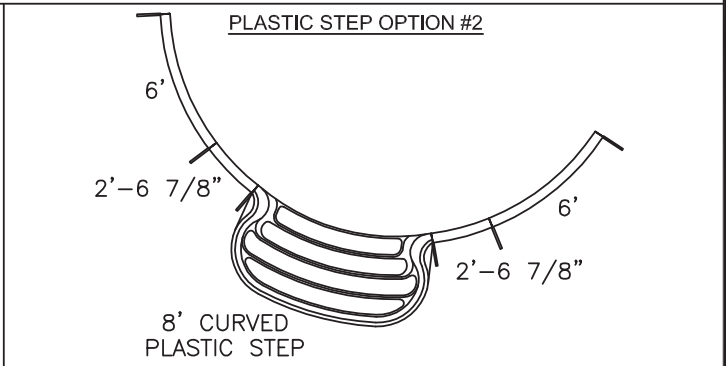
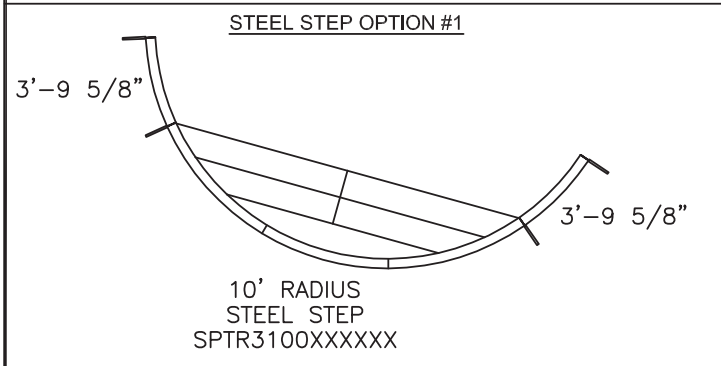
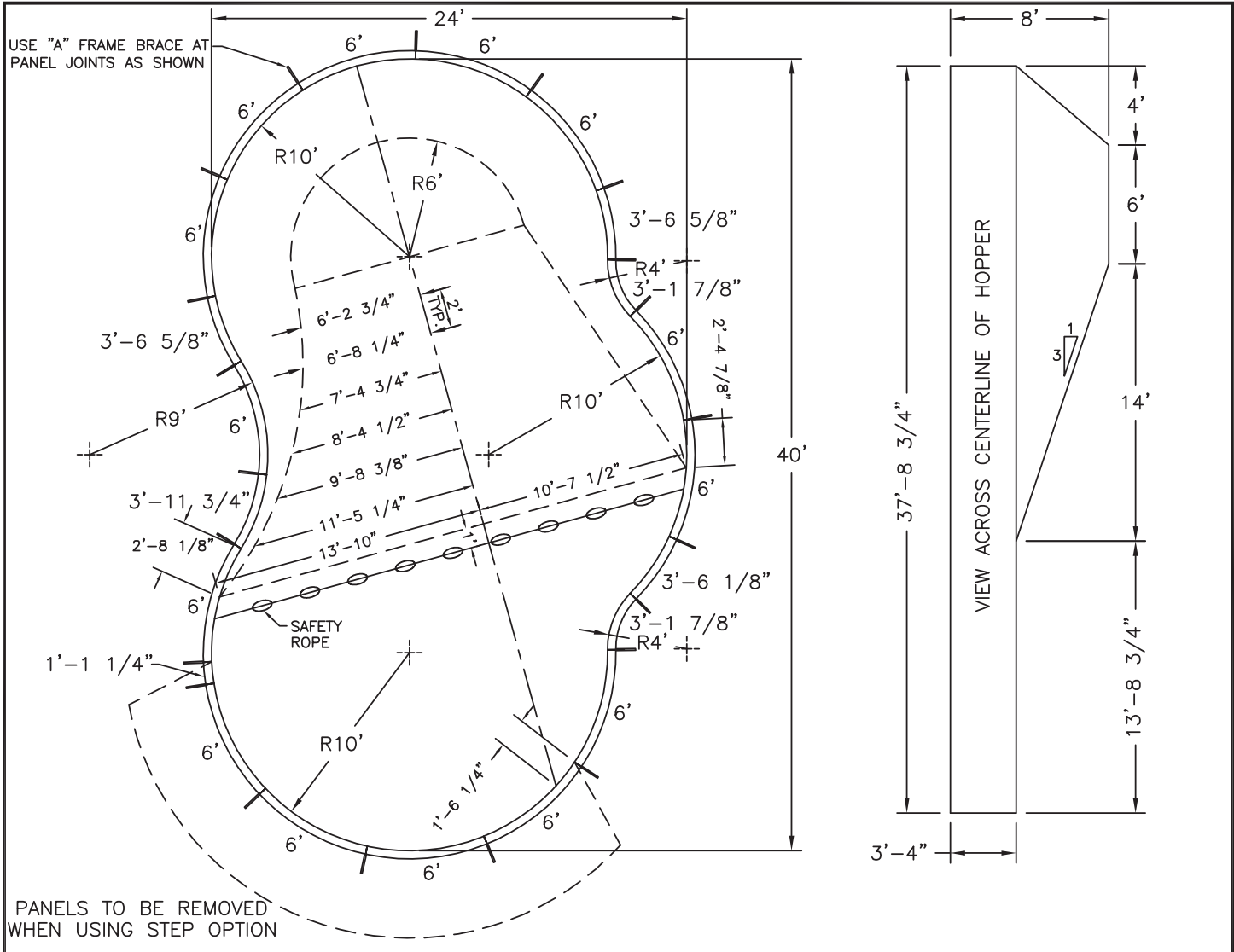
This information is the confidential property of Cardinal Systems, Inc. Disclosure or duplication without proper written approval is strictly prohibited. Acceptance and use of this drawing constitutes knowledge and acceptance by the user of the terms and conditions set forth in the notice and warning which accompanied this drawing is incorporated herein and made part hereof and is found on Cardinal Systems, Inc's website at www.CardinalSystemsInc.com



Name: 20' X 40' OASIS

Number: 2040OASIS

250 Route 61 South, Schuylkill Haven, PA 17972 • 570-385-4733 • fax: 570-385-1318 • CustomerService@CardinalSystemsInc.com



3' Deck Area: 346.2 SQ. FT.
Gallons: 27,443
Date: 2/20/13
Scale: 1/8" = 1'

4' Deck Area : 474.2 SQ. FT.
Perimeter: 106'-0"
Area: 731.8 SQ. FT.
Sheet: 1 OF 2



This information is the confidential property of Cardinal Systems, Inc. Disclosure or duplication without proper written approval is strictly prohibited. Acceptance and use of this drawing constitutes knowledge and acceptance by the user of the terms and conditions set forth in the notice and warning which accompanied this drawing is incorporated herein and made part hereof and is found on Cardinal Systems, Inc's website at www.CardinalSystemsInc.com



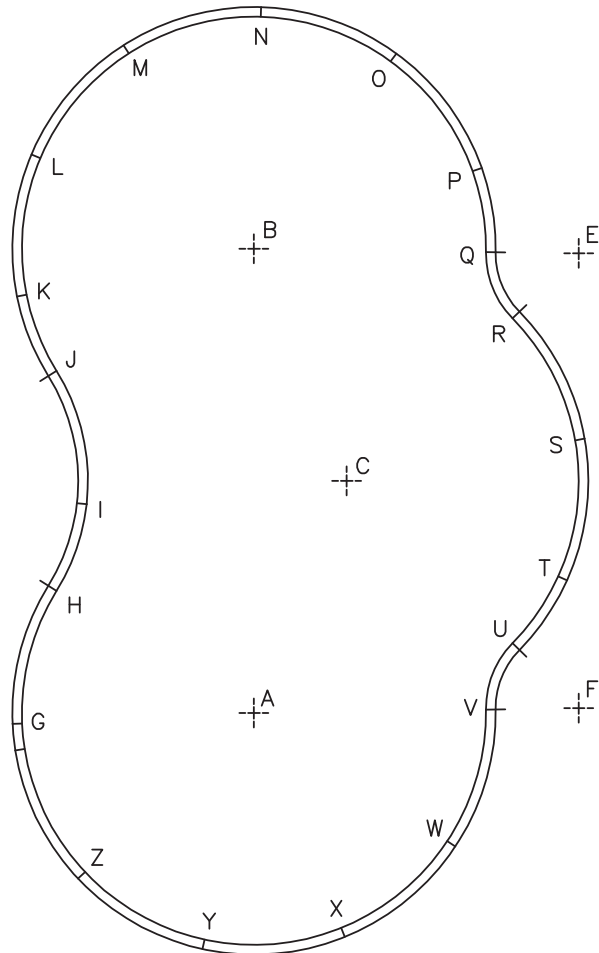
Name: 20' X 40' OASIS


Number: 2040OASIS

250 Route 61 South, Schuylkill Haven, PA 17972 • 570-385-4733 • fax: 570-385-1318 • CustomerService@CardinalSystemsInc.com

POINTS	DISTANCE
A-B	20'
A-C	10'-9 1/4"
A-D	19'
A-E	24'-3"
A-F	14'
B-C	10'-9 1/4"
B-D	19'
B-E	14'
B-C	24'-3"
B-D	19'
B-E	14'
B-F	24'-3"
G-H	5'-10 7/8"
G-I	9'-10 1/8"
G-J	15'-3 1/4"
G-K	18'-5 3/4"
G-L	24'-4 1/2"
G-M	29'-2 7/8"
G-N	32'-1 3/4"
G-O	32'-7 7/8"
G-P	30'-8 5/8"
G-Q	28'-6"
G-R	27'-4 7/8"
G-S	26'-9 3/8"
G-T	23'-11 1/2"
G-U	21'-5"
G-V	20'
G-W	19'-0 1/8"
G-X	16'-3 7/8"
G-Y	12'-2 1/4"
G-Z	6'-11 1/2"
W-H	20'
W-I	21'-3 1/4"
W-J	26'-4 1/8"
W-K	29'-8 5/8"
W-L	34'-3 1/8"
W-M	36'-7 3/8"
W-N	36'-5"
W-O	33'-8 3/8"
W-P	28'-10 5/8"
W-Q	25'-5 1/4"
W-R	22'-8 3/8"
W-S	18'-1 5/8"
W-T	12'-4 3/8"
W-U	8'-11 3/4"
W-V	5'-10 7/8"
W-X	5'-10 7/8"
W-Y	11'-3 1/2"
W-Z	15'-8"

PART NO.	QUANTITY			DESCRIPTION
	NO	STEP 1	STEP 2	
5C42600XX10000	13	9	11	6' x 10' RADIUS PANEL
5C42395XX10000	-	2	-	3'-9 5/8" x 10' RADIUS PANEL
5C42365XX10000	2	2	2	3'-6 5/8" x 10' RADIUS PANEL
5C42361XX10000	1	1	1	3'-6 1/8" x 10' RADIUS PANEL
5C42267XX10000	-	-	2	2'-6 7/8" x 10' RADIUS PANEL
5C42112XX10000	1	-	-	1'-1' 1/4" x 10' RADIUS PANEL
5R42600XX09000	1	1	1	6' x 9' REVERSE RADIUS PANEL
5R423E6XX09000	1	1	1	3'-11 3/4" x 9' REVERSE RADIUS PANEL
5R42317XX04000	2	2	2	3'-1 7/8" x 4' REVERSE RADIUS PANEL
SPTR3100XXXXXC	-	1	-	10' RADIUS STEEL STEP (COMPLETE)
BP260JS	1	1	1	260 NUTS/BOLTS - LARGE BOLT PACK
	21	19	21	"A" FRAME ASSEMBLY



3' Deck Area: 346.2 SQ. FT.	4' Deck Area : 474.2 SQ. FT.	 CardinalSystemsInc.com
Gallons: 27,443	Perimeter: 106'-0"	
Date: 2/20/13	Area: 731.8 SQ. FT.	
Scale: 1/8" = 1'	Sheet: 2 OF 2	

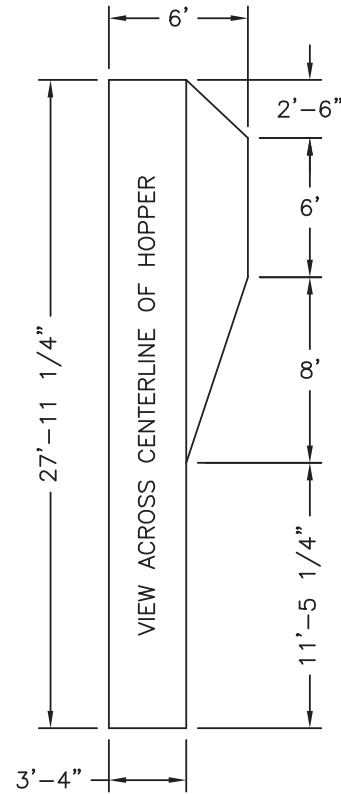
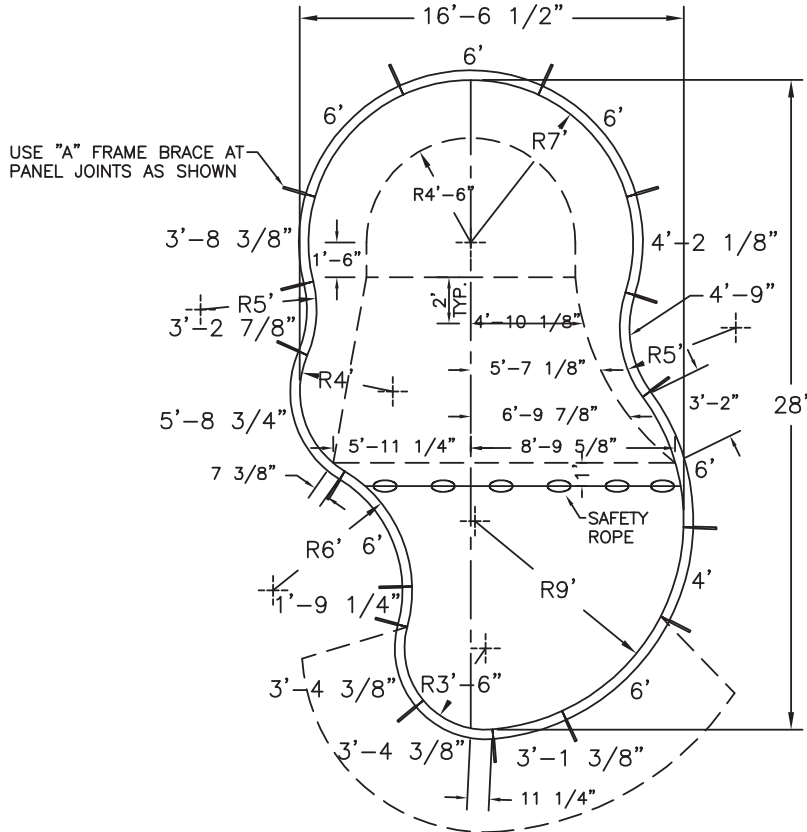
This information is the confidential property of Cardinal Systems, Inc. Disclosure or duplication without proper written approval is strictly prohibited. Acceptance and use of this drawing constitutes knowledge and acceptance by the user of the terms and conditions set forth in the notice and warning which accompanied this drawing is incorporated herein and made part hereof and is found on Cardinal Systems, Inc's website at www.CardinalSystemsInc.com



Name: 14' X 28' MOUNTAIN POND

Number: 1428MTPND

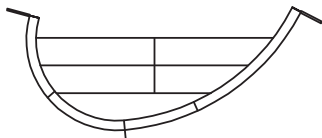
250 Route 61 South, Schuylkill Haven, PA 17972 • 570-385-4733 • fax: 570-385-1318 • CustomerService@CardinalSystemsInc.com



PANELS TO BE REMOVED WHEN USING STEP OPTION

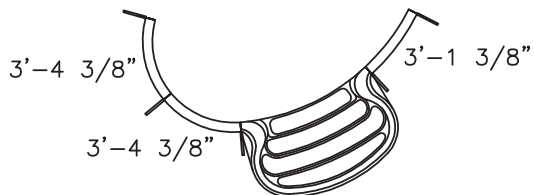
NON-DIVING POOL

STEEL STEP OPTION #1



9'R./3'-6" R,
MT. POND STEP
SPCR3090036XXX

PLASTIC STEP OPTION #2



6' CURVED
PLASTIC STEP

3' Deck Area: 247.9 SQ. FT.

4' Deck Area : 343.1 SQ. FT.

Gallons: 12,461

Perimeter: 73'-2 1/2"

Date: 2/20/13

Area: 332.3 SQ. FT.

Scale: 1/8" = 1'

Sheet: 1 OF 2



CardinalSystemsInc.com

This information is the confidential property of Cardinal Systems, Inc. Disclosure or duplication without proper written approval is strictly prohibited. Acceptance and use of this drawing constitutes knowledge and acceptance by the user of the terms and conditions set forth in the notice and warning which accompanied this drawing is incorporated herein and made part hereof and is found on Cardinal Systems, Inc's website at www.CardinalSystemsInc.com



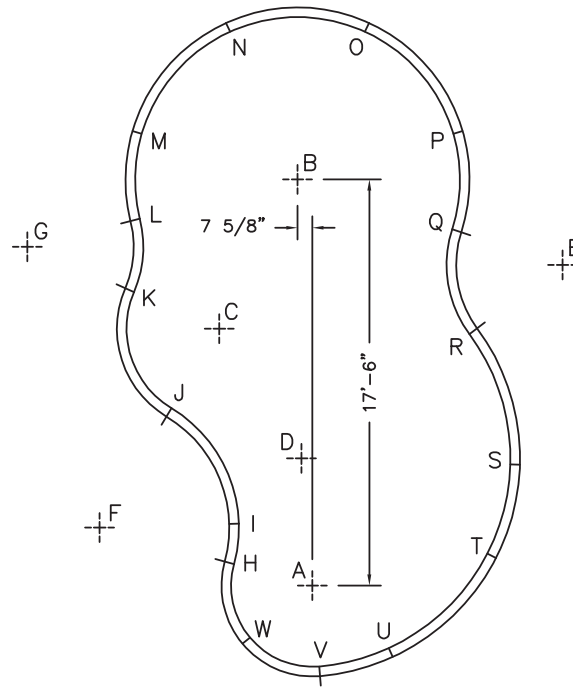
Name: 14' X 28' MOUNTAIN POND


Number: 1428MTPND

250 Route 61 South, Schuylkill Haven, PA 17972 • 570-385-4733 • fax: 570-385-1318 • CustomerService@CardinalSystemsInc.com

POINTS	DISTANCE
A-B	17'-6 1/8"
A-C	11'-9 1/4"
A-D	5'-6"
A-E	17'-6 3/8"
A-F	9'-6"
A-G	19'-1"
B-C	7'-3 1/8"
B-D	12'-0 1/4"
B-E	12'
B-F	17'-3"
B-G	12'
H-I	1'-9 1/8"
H-J	7'-2 7/8"
H-K	12'-5 3/4"
H-L	15'-5 1/8"
H-M	18'-11 5/8"
H-N	22'-11 3/8"
H-O	23'-7 1/2"
H-P	20'-9 3/4"
H-Q	17'-2 5/8"
H-R	14'-2 1/4"
H-S	12'-7 7/8"
H-T	10'-11 1/4"
H-U	7'-7 1/8"
H-V	5'-8 7/8"
H-W	3'-2 7/8"
T-I	10'-9 1/2"
T-J	14'-11 7/8"
T-K	18'-11 1/4"
T-L	20'-9 5/8"
T-M	23'-5 1/4"
T-N	25'-0 7/8"
T-O	23'-1 1/8"
T-P	18'-1 3/4"
T-Q	14'-0 5/8"
T-R	9'-5 7/8"
T-S	3'-11 5/8"
T-U	5'-10 5/8"
T-V	8'-8 3/4"
T-W	10'-10 1/4"

PART NO.	QUANTITY			DESCRIPTION
	NO	STEP 1	STEP 2	
5C42600XX09000	2	1	1	6' x 9' RADIUS PANEL
5C42400XX09000	1	1	1	4' x 9' RADIUS PANEL
5C42313XX09000	1	-	1	3'-1 3/8" x 9' RADIUS PANEL
5C42600XX07000	3	3	3	6' x 7' RADIUS PANEL
5C42421XX07000	1	1	1	4'-2 1/8" x 7' RADIUS PANEL
5C42383XX07000	1	1	1	3'-8 3/8" x 7' RADIUS PANEL
5C42586XX04000	1	1	1	5'-8 3/4" x 4' RADIUS PANEL
5C42343XX03600	2	-	2	3'-4 3/8" x 3'-6" RADIUS PANEL
5R42600XX06000	1	1	1	6' x 6' REVERSE RADIUS PANEL
5R42192XX06000	1	1	1	1'-9 1/4" x 6' REVERSE RADIUS PANEL
5R42490XX05000	1	1	1	4'-9" x 5' REVERSE RADIUS PANEL
5R42327XX05000	1	1	1	3'-2 7/8" x 5' REVERSE RADIUS PANEL
SPCR3090036XXXC	-	1	-	9'R./3'-6" R. MT. POND STEP (COMPLETE)
BP192JS	1	1	1	192 NUTS/BOLTS - SMALL BOLT PACK
	16	13	16	"A" FRAME ASSEMBLY



3' Deck Area: 247.9 SQ. FT.	4' Deck Area : 343.1 SQ. FT.	 CardinalSystemsInc.com
Gallons: 12,461	Perimeter: 73'-2 1/2"	
Date: 2/20/13	Area: 332.3 SQ. FT.	
Scale: 1/8" = 1'	Sheet: 2 OF 2	

This information is the confidential property of Cardinal Systems, Inc. Disclosure or duplication without proper written approval is strictly prohibited. Acceptance and use of this drawing constitutes knowledge and acceptance by the user of the terms and conditions set forth in the notice and warning which accompanied this drawing is incorporated herein and made part hereof and is found on Cardinal Systems, Inc's website at www.CardinalSystemsInc.com

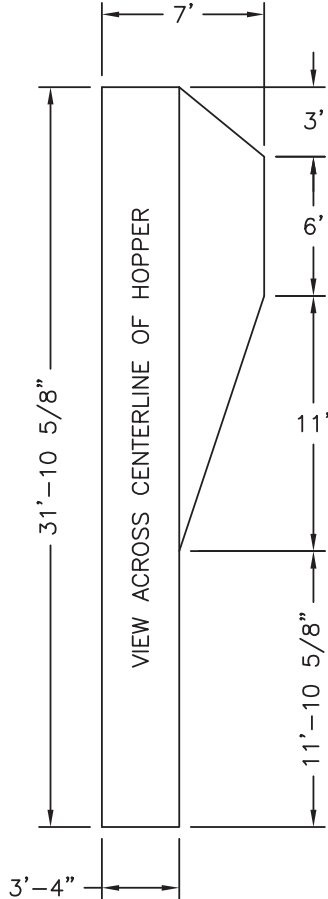
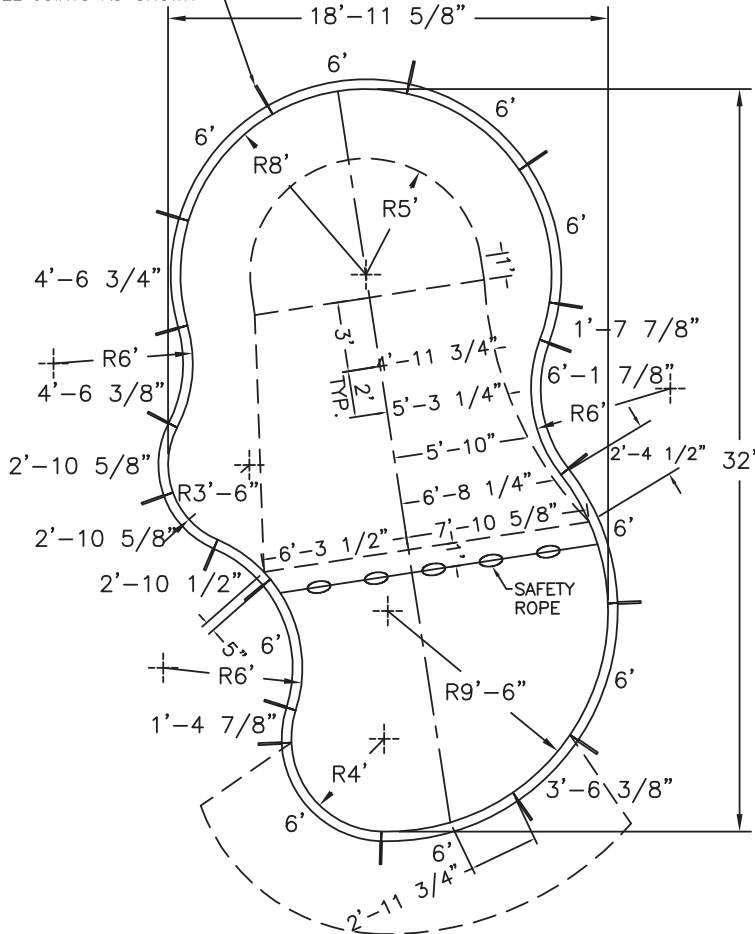


Name: 16' X 32' MOUNTAIN POND

Number: 1632MTPND

250 Route 61 South, Schuylkill Haven, PA 17972 • 570-385-4733 • fax: 570-385-1318 • CustomerService@CardinalSystemsInc.com

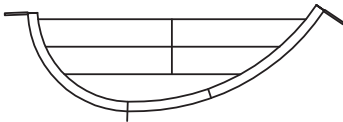
USE "A" FRAME BRACE AT
PANEL JOINTS AS SHOWN



PANELS TO BE REMOVED
WHEN USING STEP OPTION

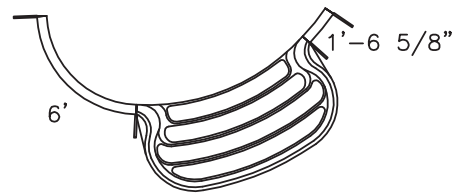
NON-DIVING POOL

STEEL STEP OPTION #1



9'-6" R./4' R.
MT. POND STEP
SPCR3096040XXX

PLASTIC STEP OPTION #2



8' CURVED
PLASTIC STEP

3' Deck Area: 281.8 SQ. FT.

4' Deck Area : 388.3 SQ. FT.

Gallons: 16,208

Perimeter: 84'-5 7/8"

Date: 2/20/13

Area: 432.2 SQ. FT.

Scale: 1/8" = 1'

Sheet: 1 OF 2



CardinalSystemsInc.com

This information is the confidential property of Cardinal Systems, Inc. Disclosure or duplication without proper written approval is strictly prohibited. Acceptance and use of this drawing constitutes knowledge and acceptance by the user of the terms and conditions set forth in the notice and warning which accompanied this drawing is incorporated herein and made part hereof and is found on Cardinal Systems, Inc's website at www.CardinalSystemsInc.com



Name: 16' X 32' MOUNTAIN POND

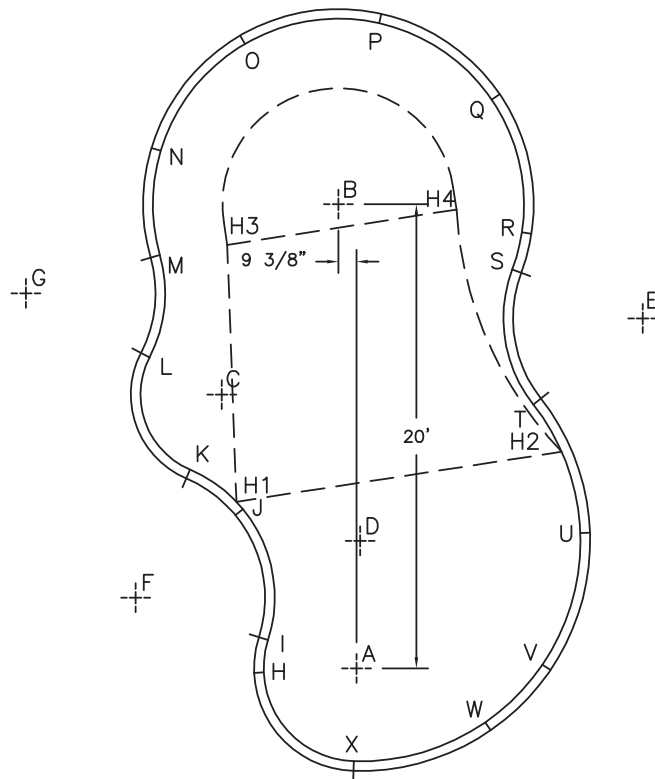
Number: 1632MTPND

250 Route 61 South, Schuylkill Haven, PA 17972 • 570-385-4733 • fax: 570-385-1318 • CustomerService@CardinalSystemsInc.com

POINTS	DISTANCE
A-H1	8'-10 1/4"
A-H2	12'-10 3/8"
A-H3	19'-1"
A-H4	20'-2 7/8"
B-H1	13'-6 5/8"
B-H2	14'-4 1/4"
B-H3	5'-1 1/4"
B-H4	5'-1 1/4"

POINTS	DISTANCE
A-B	20'-0 1/4"
A-C	13'-1 3/4"
A-D	5'-6"
A-E	19'-5 7/8"
A-F	10'
A-G	21'-6 5/8"
B-C	9'-7 1/2"
B-D	14'-6 3/8"
B-E	14'
B-F	19'-0 7/8"
B-G	14'
H-I	1'-4 7/8"
H-J	7'-1 1/8"
H-K	9'-3 5/8"
H-L	14'-5 1/4"
H-M	18'-6 3/8"
H-N	22'-11"
H-O	27'-1 1/8"
H-P	28'-5"
H-Q	26'-6 3/4"
H-R	21'-11 7/8"
H-S	20'-4 7/8"
H-T	16'-4 1/2"
H-U	14'-10 7/8"
H-V	12'-0 1/4"
H-W	9'-9 3/8"
H-X	5'-5 3/8"
V-I	11'-10 1/2"
V-J	14'-6 5/8"
V-K	17'-4 3/8"
V-L	21'-6"
V-M	24'-1 7/8"
V-N	27'-7 1/8"
V-O	29'-8"
V-P	28'-6 1/4"
V-Q	24'-5 1/4"
V-R	18'-7 3/4"
V-S	17'-1"
V-T	11'-2 5/8"
V-U	5'-10 3/4"
V-W	3'-6 1/8"
V-X	9'-1 5/8"

PART NO.	QUANTITY			DESCRIPTION
	NO	STEP 1	STEP 2	
5C42600XX09600	3	2	2	6' x 9'-6" RADIUS PANEL
5C42363XX09600	1	-	-	3'-6 3/8" x 9'-6" RADIUS PANEL
5C42165XX09600	-	-	1	1'-6 5/8" x 9'-6" RADIUS PANEL
5C42600XX08000	4	4	4	6' x 8' RADIUS PANEL
5C42466XX08000	1	1	1	4'-6 3/4" x 8' RADIUS PANEL
5C42177XX08000	1	1	1	1'-7 7/8" x 8' RADIUS PANEL
5C42600XX04000	1	-	1	6' x 4' RADIUS PANEL
5C42147XX04000	1	1	1	1'-4 7/8" x 4' RADIUS PANEL
5C42592XX03600	1	1	1	5'-9 1/4" x 3'-6" RADIUS PANEL
5R42617XX06000	1	1	1	6'-1 7/8" x 6' REVERSE RADIUS PANEL
5R42600XX06000	1	1	1	6' x 6' REVERSE RADIUS PANEL
5R42463XX06000	1	1	1	4'-6 3/8" x 6' REVERSE RADIUS PANEL
5R422T4XX06000	1	1	1	2'-10 1/2" x 6' REVERSE RADIUS PANEL
SPCR3096040XXXC	-	1	-	9'-6" R./4' R. MT. POND STEP (COMPLETE)
BP192JS	1	1	1	192 NUTS/BOLTS - SMALL BOLT PACK
	17	15	17	"A" FRAME ASSEMBLY



3' Deck Area: 281.8 SQ. FT.

4' Deck Area : 388.3 SQ. FT.

Gallons: 16,208

Perimeter: 84'-5 7/8"

Date: 2/20/13

Area: 432.2 SQ. FT.

Scale: 1/8" = 1'

Sheet: 2 OF 2



CardinalSystemsInc.com

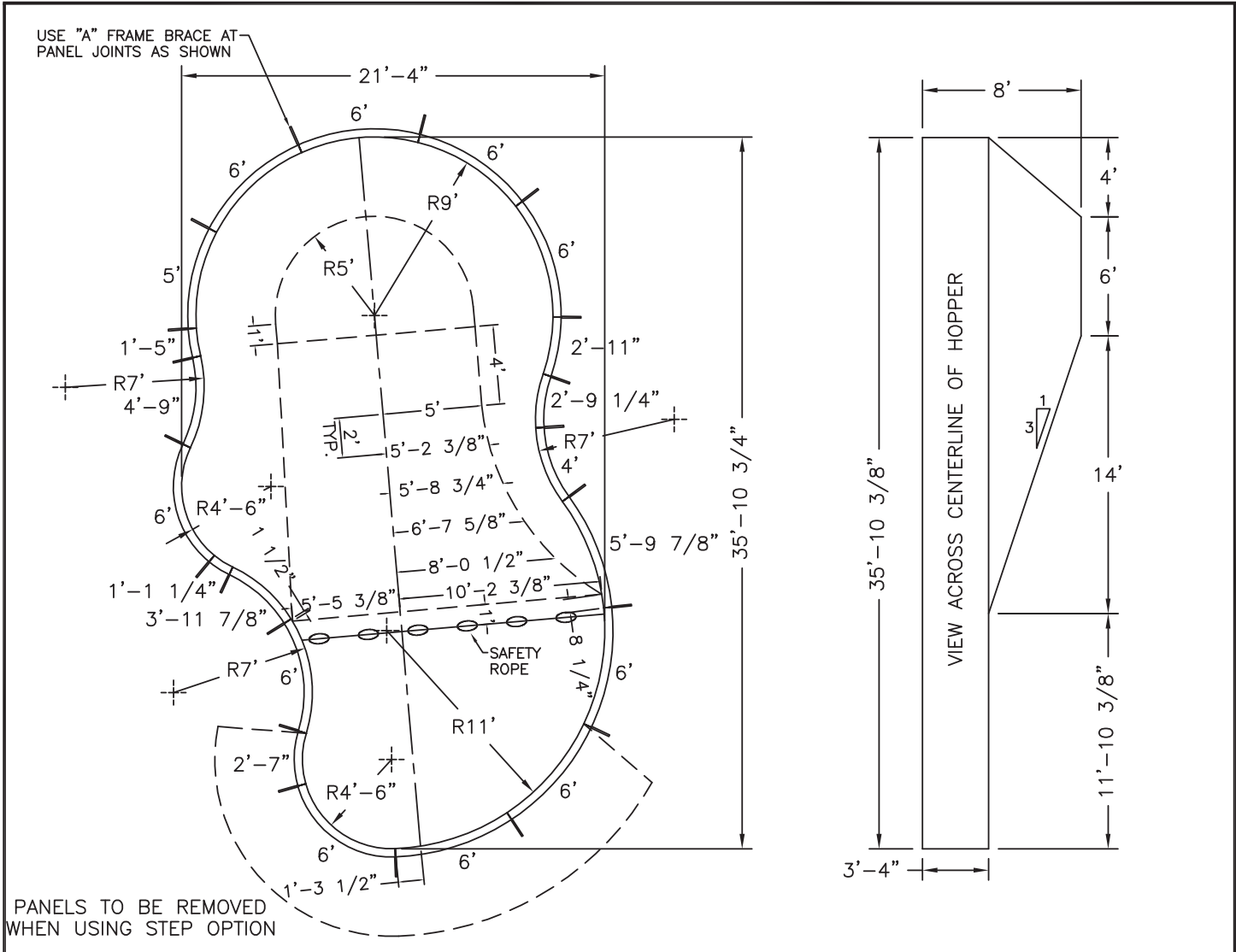
This information is the confidential property of Cardinal Systems, Inc. Disclosure or duplication without proper written approval is strictly prohibited. Acceptance and use of this drawing constitutes knowledge and acceptance by the user of the terms and conditions set forth in the notice and warning which accompanied this drawing is incorporated herein and made part hereof and is found on Cardinal Systems, Inc's website at www.CardinalSystemsInc.com



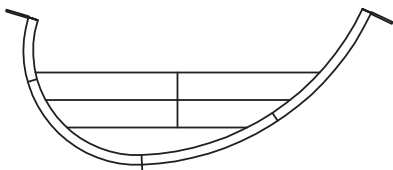
Name: 18' X 36' MOUNTAIN POND

Number: 1836MTPND

250 Route 61 South, Schuylkill Haven, PA 17972 • 570-385-4733 • fax: 570-385-1318 • CustomerService@CardinalSystemsInc.com

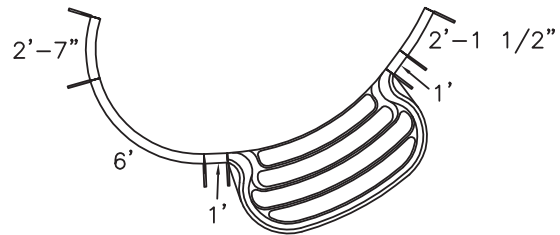


STEEL STEP OPTION #1



11' R./4'-6" R.
MT. POND STEP
SPCR3110046XXX

PLASTIC STEP OPTION #2



8' CURVED
PLASTIC STEP

3' Deck Area: 311.4 SQ. FT.

4' Deck Area : 427.7 SQ. FT.

Gallons: 20,434

Perimeter: 94'-4 1/4"

Date: 2/20/13

Area: 544.9 SQ. FT.

Scale: 1/8" = 1'

Sheet: 1 OF 2



CardinalSystemsInc.com

This information is the confidential property of Cardinal Systems, Inc. Disclosure or duplication without proper written approval is strictly prohibited. Acceptance and use of this drawing constitutes knowledge and acceptance by the user of the terms and conditions set forth in the notice and warning which accompanied this drawing is incorporated herein and made part hereof and is found on Cardinal Systems, Inc's website at www.CardinalSystemsInc.com



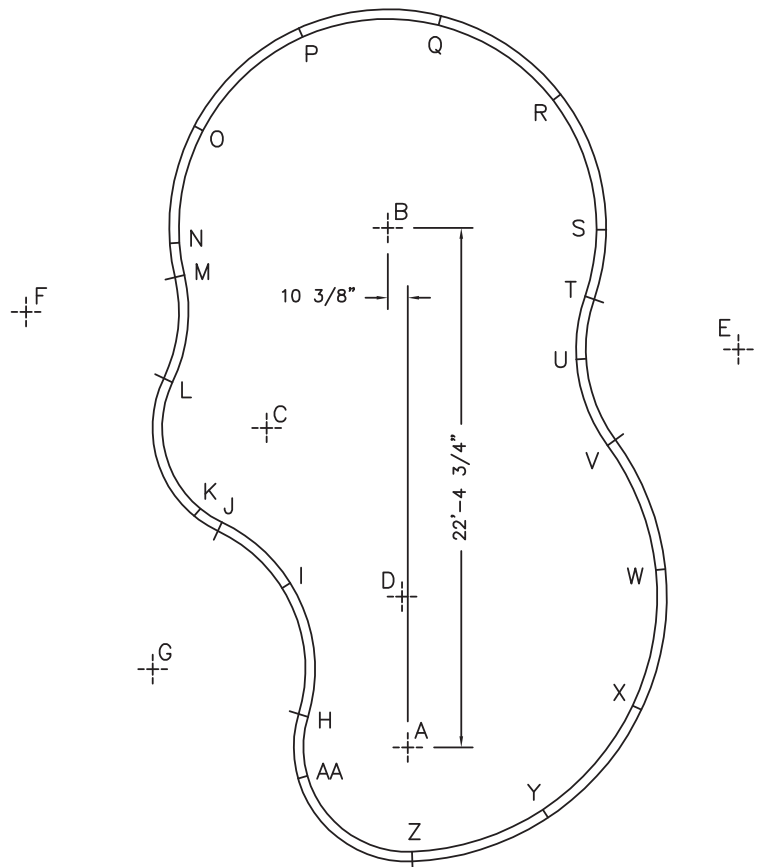
Name: 18' X 36' MOUNTAIN POND


Number: 1836MTPND

250 Route 61 South, Schuylkill Haven, PA 17972 • 570-385-4733 • fax: 570-385-1318 • CustomerService@CardinalSystemsInc.com

POINTS	DISTANCE
A-B	22'-4 7/8"
A-C	15'-0 3/4"
A-D	6'-6"
A-E	22'-3 5/8"
A-F	24'-11 3/8"
A-G	11'-6"
B-C	10'-1"
B-D	15'-10 7/8"
B-E	16'
B-F	16'
B-G	21'-6 5/8"
H-I	5'-9 7/8"
H-J	9'-2"
H-K	10'-1 1/4"
H-L	15'-6 1/2"
H-M	19'-9 1/8"
H-N	21'-2"
H-O	25'-8"
H-P	29'-3 1/2"
H-Q	30'-4"
H-R	28'-7 1/8"
H-S	24'-4 3/4"
H-T	21'-8 1/2"
H-U	19'-3 1/8"
H-V	17'-5"
H-W	16'-3 1/4"
H-X	14'-0 1/8"
H-Y	10'-10 1/2"
H-Z	7'-4 1/8"
H-AA	2'-6 5/8"
X-I	15'-8 1/8"
X-J	19'-4 5/8"
X-K	20'-5 3/4"
X-L	24'-2 7/8"
X-M	26'-9 1/2"
X-N	27'-11 1/8"
X-O	30'-11 1/4"
X-P	32'-1 5/8"
X-Q	30'-5 7/8"
X-R	26'-3 3/4"
X-S	20'-6 3/4"
X-T	17'-9 1/8"
X-U	15'-1 3/8"
X-V	11'-3 1/8"
X-W	5'-11 1/8"
X-Y	5'-11 1/8"
X-Z	11'-5"
X-AA	14'-4 1/8"

PART NO.	QUANTITY			DESCRIPTION
	NO	STEP 1	STEP 2	
5S42100XXXO	-	-	2	1' STRAIGHT PANEL
5C42600XX11000	3	1	1	6' x 11' RADIUS PANEL
5C42597XX11000	1	1	1	5'-9 7/8" x 11' RADIUS PANEL
5C42214XX11000	-	-	1	2'-1 1/2" x 11' RADIUS PANEL
5C42600XX09000	4	4	4	6' x 9' RADIUS PANEL
5C42500XX09000	1	1	1	5' x 9' RADIUS PANEL
5C422E0XX09000	1	1	1	2'-11" x 9' RADIUS PANEL
5C42150XX09000	1	1	1	1'-5" x 9' RADIUS PANEL
5C42600XX04600	2	1	2	6' x 4'-6" RADIUS PANEL
5C42270XX04600	1	-	1	2'-7" x 4'-6" RADIUS PANEL
5C42112XX04600	1	1	1	1'-1 1/4" x 4'-6" RADIUS PANEL
5R42600XX07000	1	1	1	6' x 7' REVERSE RADIUS PANEL
5R42490XX07000	1	1	1	4'-9" x 7' REVERSE RADIUS PANEL
5R42400XX07000	1	1	1	4' x 7' REVERSE RADIUS PANEL
5R423E7XX07000	1	1	1	3'-11 7/8" x 7' REVERSE RADIUS PANEL
5R42292XX07000	1	1	1	2'-9 1/4" x 7' REVERSE RADIUS PANEL
SPCR3110046XXXC	-	1	-	11' R./4'-6" R. MT. POND STEP (COMPLETE)
BP260JS	1	1	1	260 NUTS/BOLTS - LARGE BOLT PACK
	20	17	22	"A" FRAME ASSEMBLY



3' Deck Area: 311.4 SQ. FT.	4' Deck Area : 427.7 SQ. FT.	 CardinalSystemsInc.com
Gallons: 20,434	Perimeter: 94'-4 1/4"	
Date: 2/20/13	Area: 544.9 SQ. FT.	
Scale: 1/8" = 1'	Sheet: 2 OF 2	

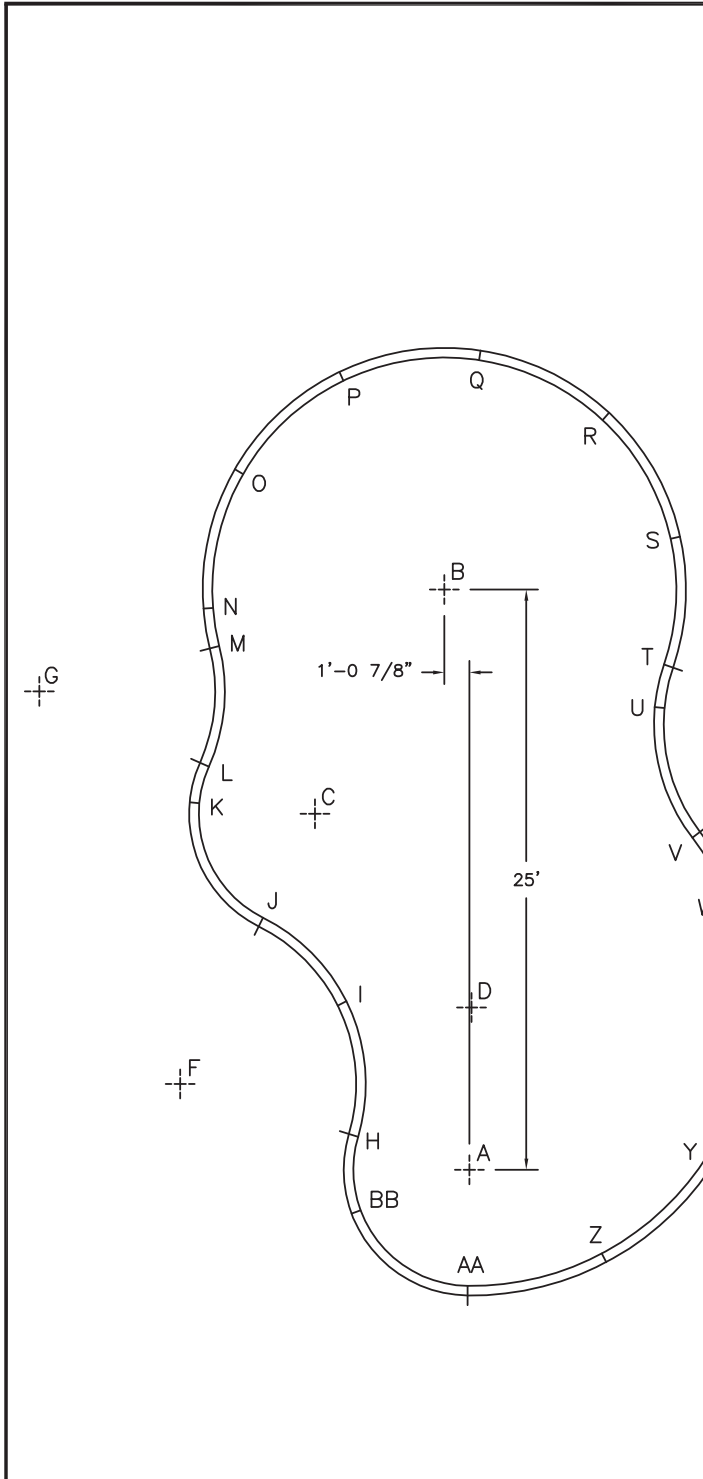
This information is the confidential property of Cardinal Systems, Inc. Disclosure or duplication without proper written approval is strictly prohibited. Acceptance and use of this drawing constitutes knowledge and acceptance by the user of the terms and conditions set forth in the notice and warning which accompanied this drawing is incorporated herein and made part hereof and is found on Cardinal Systems, Inc's website at www.CardinalSystemsInc.com



Name: 20' X 40' MOUNTAIN POND


Number: 2040MTPND

250 Route 61 South, Schuylkill Haven, PA 17972 • 570-385-4733 • fax: 570-385-1318 • CustomerService@CardinalSystemsInc.com



PART NO.	QUANTITY			DESCRIPTION
	NO	STEP 1	STEP 2	
5S42160XXXO	-	-	2	1'-6" STRAIGHT PANEL
5C42600XX12000	4	2	2	6' x 12' RADIUS PANEL
5C422T4XX12000	1	1	1	2'-10 1/2" x 12' RADIUS PANEL
5C42122XX12000	-	-	1	1'-2 1/4" x 12' RADIUS PANEL
5C42600XX010000	5	5	5	6' x 10' RADIUS PANEL
5C42557XX10000	1	1	1	5'-5 7/8" x 10' RADIUS PANEL
5C42181XX10000	1	1	1	1'-8 1/8" x 10' RADIUS PANEL
5C42600XX05000	2	1	2	6' x 5' RADIUS PANEL
5C42326XX05000	1	-	1	3'-2 3/4" x 5' RADIUS PANEL
5C42175XX05000	1	1	1	1'-7 5/8" x 5' RADIUS PANEL
5R42600XX08000	2	2	2	6' x 8' REVERSE RADIUS PANEL
5R42536XX08000	1	1	1	5'-3 3/4" x 8' REVERSE RADIUS PANEL
5R42521XX08000	1	1	1	5'-2 1/8" x 8' REVERSE RADIUS PANEL
5R421T4XX08000	1	1	1	1'-10 1/2" x 8' REVERSE RADIUS PANEL
SPCR3120050XXXC	-	1	-	12' R./5' R. MT. POND STEP (COMPLETE)
BP260JS	1	1	1	260 NUTS/BOLTS - LARGE BOLT PACK
	21	18	23	"A" FRAME ASSEMBLY

POINTS	DISTANCE	POINTS	DISTANCE
A-B	25'-0 1/4"	Y-I	16'-10 1/2"
A-C	16'-8 5/8"	Y-J	21'-8 3/8"
A-D	7'	Y-K	26'-7 7/8"
A-E	24'-11 1/2"	Y-L	27'-3 1/4"
A-F	13'	Y-M	30'-5 5/8"
A-G	27'-8 3/4"	Y-N	31'-10 1/2"
B-C	11'-1 7/8"	Y-O	35'-7 3/4"
B-D	18'-0 1/2"	Y-P	37'-0 1/2"
B-E	18'	Y-Q	35'-10 1/8"
B-F	24'-1 3/4"	Y-R	32'-2 7/8"
B-G	18'	Y-S	26'-10 1/4"
H-I	5'-10 3/8"	Y-T	21'-5 5/8"
H-J	10'-3 1/2"	Y-U	19'-8 1/8"
H-K	15'-11"	Y-V	13'-11 3/8"
H-L	17'-2 3/8"	Y-W	11'-6 1/8"
H-M	21'-11 5/8"	Y-X	5'-11 1/4"
H-N	23'-7 5/8"	Y-Z	5'-11 1/4"
H-O	28'-11 7/8"	Y-AA	11'-6 1/8"
H-P	32'-7 1/8"	Y-BB	14'-11 1/4"
H-Q	33'-10 3/8"		
H-R	32'-7 5/8"		
H-S	29'-0 7/8"		
H-T	24'-2 7/8"		
H-U	22'-6"		
H-V	19'-4"		
H-W	18'-11 3/4"		
H-X	17'-5 1/2"		
H-Y	14'-11 1/4"		
H-Z	11'-7 3/4"		
H-AA	7'-11 5/8"		
H-BB	3'-2 1/8"		

3' Deck Area: 344.1 SQ. FT.	4' Deck Area : 471.4 SQ. FT.	 CardinalSystemsInc.com
Gallons: 25,388	Perimeter: 105'-3 1/4"	
Date: 2/20/13	Area: 677.0 SQ. FT.	
Scale: 1/8" = 1'	Sheet: 2 OF 2	

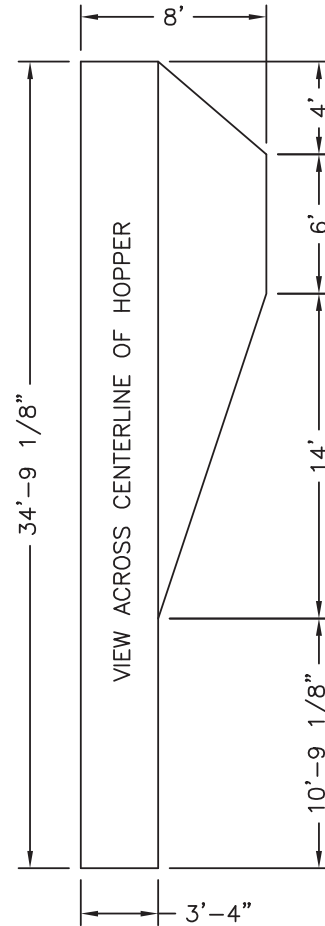
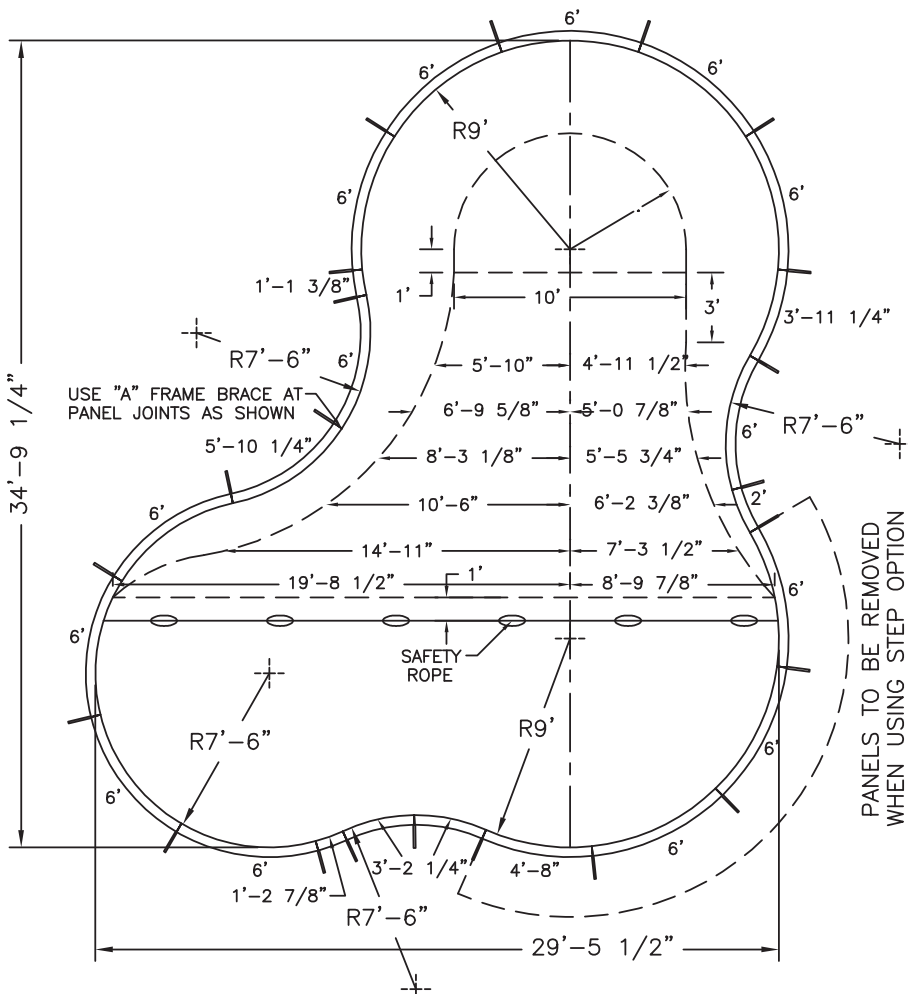
This information is the confidential property of Cardinal Systems, Inc. Disclosure or duplication without proper written approval is strictly prohibited. Acceptance and use of this drawing constitutes knowledge and acceptance by the user of the terms and conditions set forth in the notice and warning which accompanied this drawing is incorporated herein and made part hereof and is found on Cardinal Systems, Inc's website at www.CardinalSystemsInc.com



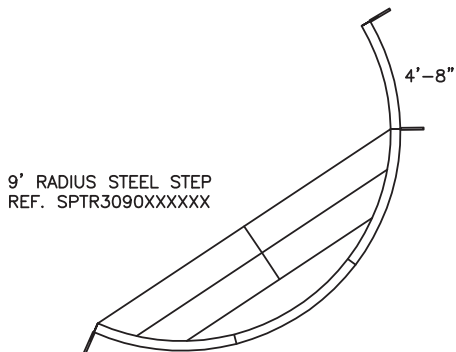
Name: 18' X 29' X 35' LAGOON

Number: 182935LA

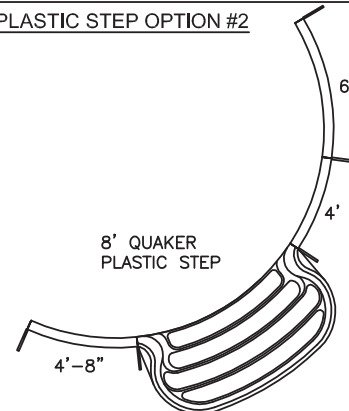
250 Route 61 South, Schuylkill Haven, PA 17972 • 570-385-4733 • fax: 570-385-1318 • CustomerService@CardinalSystemsInc.com



STEEL STEP OPTION #1



PLASTIC STEP OPTION #2



3' Deck Area: 355.8 SQ. FT.

4' Deck Area : 487.0 SQ. FT.

Gallons: 26,269

Perimeter: 109'-2"

Date: 2/20/13

Area: 700.5 SQ. FT.

Scale: 1/8" = 1'

Sheet: 1 OF 2



CardinalSystemsInc.com

This information is the confidential property of Cardinal Systems, Inc. Disclosure or duplication without proper written approval is strictly prohibited. Acceptance and use of this drawing constitutes knowledge and acceptance by the user of the terms and conditions set forth in the notice and warning which accompanied this drawing is incorporated herein and made part hereof and is found on Cardinal Systems, Inc's website at www.CardinalSystemsInc.com



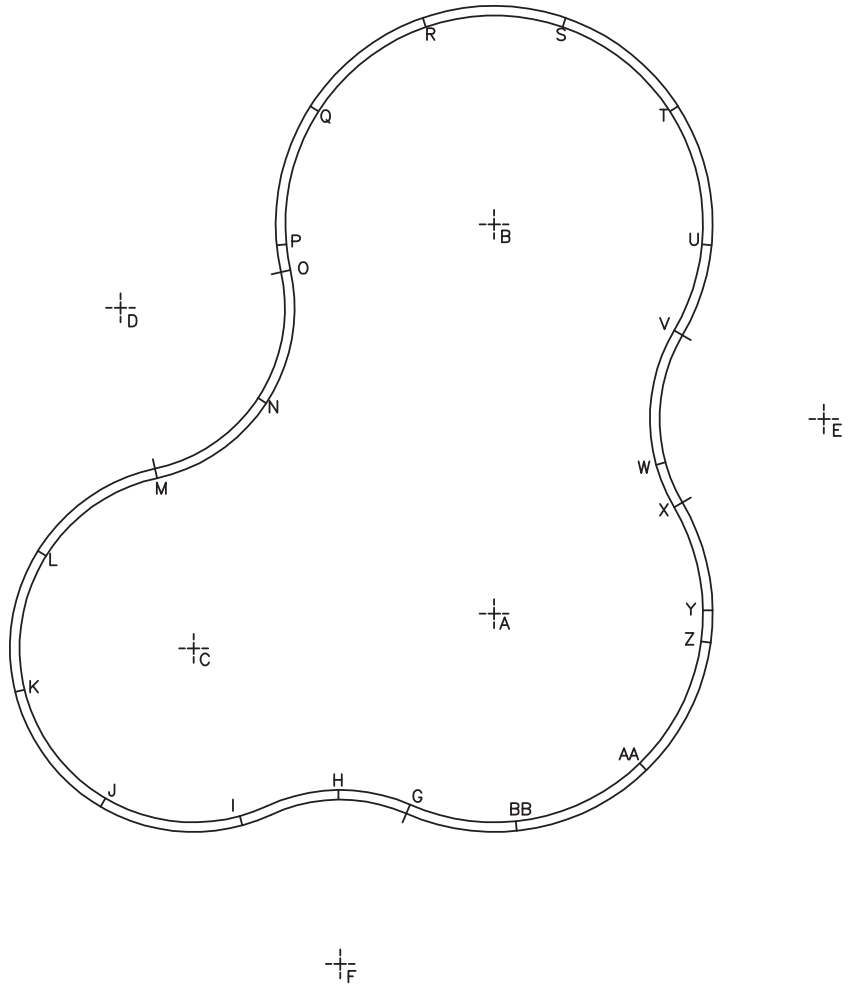
Name: 18' X 29' X 35' LAGOON

Number: 182935LA

250 Route 61 South, Schuylkill Haven, PA 17972 • 570-385-4733 • fax: 570-385-1318 • CustomerService@CardinalSystemsInc.com

POINTS	DISTANCE
A-B	16'-9 1/4"
A-C	13'-0 1/2"
A-D	20'-9 5/8"
A-E	16'-6"
A-F	16'-6"
B-C	22'-4 3/4"
B-D	16'-6"
B-E	16'-6"
B-F	32'-6 3/4"
G-H	3'-1 7/8"
G-I	7'-4 1/4"
G-J	13'-1 5/8"
G-K	17'-4 1/8"
G-L	19'
G-M	17'-9 5/8"
G-N	18'-4 1/2"
G-O	23'-7 3/8"
G-P	24'-8 3/4"
G-Q	30'-1 5/8"
G-R	33'-6 1/4"
G-S	34'-1 7/8"
G-T	31'-10 7/8"
G-U	27'-2 3/4"
G-V	23'-4 5/8"
G-W	18'-1"
G-X	17'-1 5/8"
G-Y	15'-1 3/4"
G-Z	14'-4 5/8"
G-AA	10'-0 5/8"
G-BB	4'-7 3/8"
Y-H	17'-6 1/4"
Y-I	21'-10 1/8"
Y-J	27'
Y-K	29'-5 1/4"
Y-L	28'-4 7/8"
Y-M	24'-2 1/2"
Y-N	20'-10"
Y-O	23'-0 5/8"
Y-P	23'-10 7/8"
Y-Q	27'-1 3/4"
Y-R	27'-10"
Y-S	25'-10 1/4"
Y-T	21'-6 1/2"
Y-U	15'-9 1/4"
Y-V	12'-1 1/2"
Y-W	6'-7 1/8"
Y-X	4'-7 3/8"
Y-Z	1'-4"
Y-AA	7'-1 5/8"
Y-BB	12'-1 3/4"

PART NO.	QUANTITY			DESCRIPTION
	NO	STEP 1	STEP 2	
5C42600XX09000	8	5	6	6' X 9' RADIUS PANEL
5C42480XX09000	1	1	1	4'-8" X 9' RADIUS PANEL
5C42400XX09000	-	-	1	4' X 9' RADIUS PANEL
5C423E2XX09000	1	1	1	3'-11 1/4" X 9' RADIUS PANEL
5C42113XX09000	1	1	1	1'-1 3/8" X 9' RADIUS PANEL
5C42600XX07600	4	4	4	6' X 7'-6" RADIUS PANEL
5C42127XX07600	1	1	1	1'-2 7/8" X 7'-6" RADIUS PANEL
5R42600XX07600	2	2	2	6' X 7'-6" REVERSE RADIUS PANEL
5R425T2XX07600	1	1	1	5'-10 1/4" X 7'-6" REVERSE RADIUS PANEL
5R42322XX07600	2	2	2	3'-2 1/4" X 7'-6" REVERSE RADIUS PANEL
5R42200XX07600	1	1	1	2' X 7'-6" REVERSE RADIUS PANEL
BP192JS	1	1	1	192 NUTS/BOLTS-SMALL BOLTPACK
	22	20	22	"A" FRAME ASSEMBLY



3' Deck Area: 355.8 SQ. FT.

4' Deck Area : 487.0 SQ. FT.

Gallons: 26,269

Perimeter: 109'-2"

Date: 2/20/13

Area: 700.5 SQ. FT.

Scale: 1/8" = 1'

Sheet: 2 OF 2



CardinalSystemsInc.com

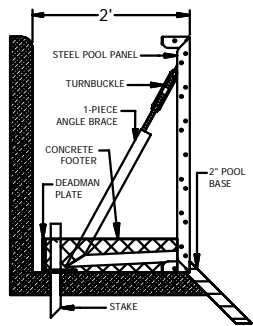
This information is the confidential property of Cardinal Systems, Inc. Disclosure or duplication without proper written approval is strictly prohibited. Acceptance and use of this drawing constitutes knowledge and acceptance by the user of the terms and conditions set forth in the notice and warning which accompanied this drawing is incorporated herein and made part hereof and is found on Cardinal Systems, Inc's website at www.CardinalSystemsInc.com

STEEL WALL POOL SYSTEM

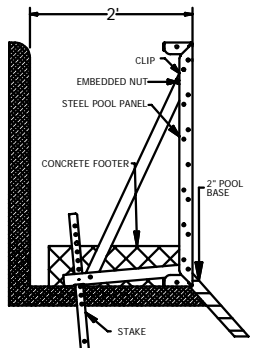
17'-3" X 24'-1" ASPEN

DWG #: GS-1082 DATE: 8/29/2011 REV: C PAGE 2 OF 3

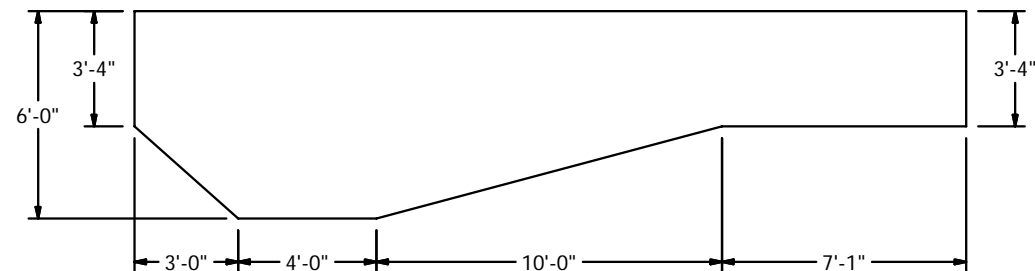
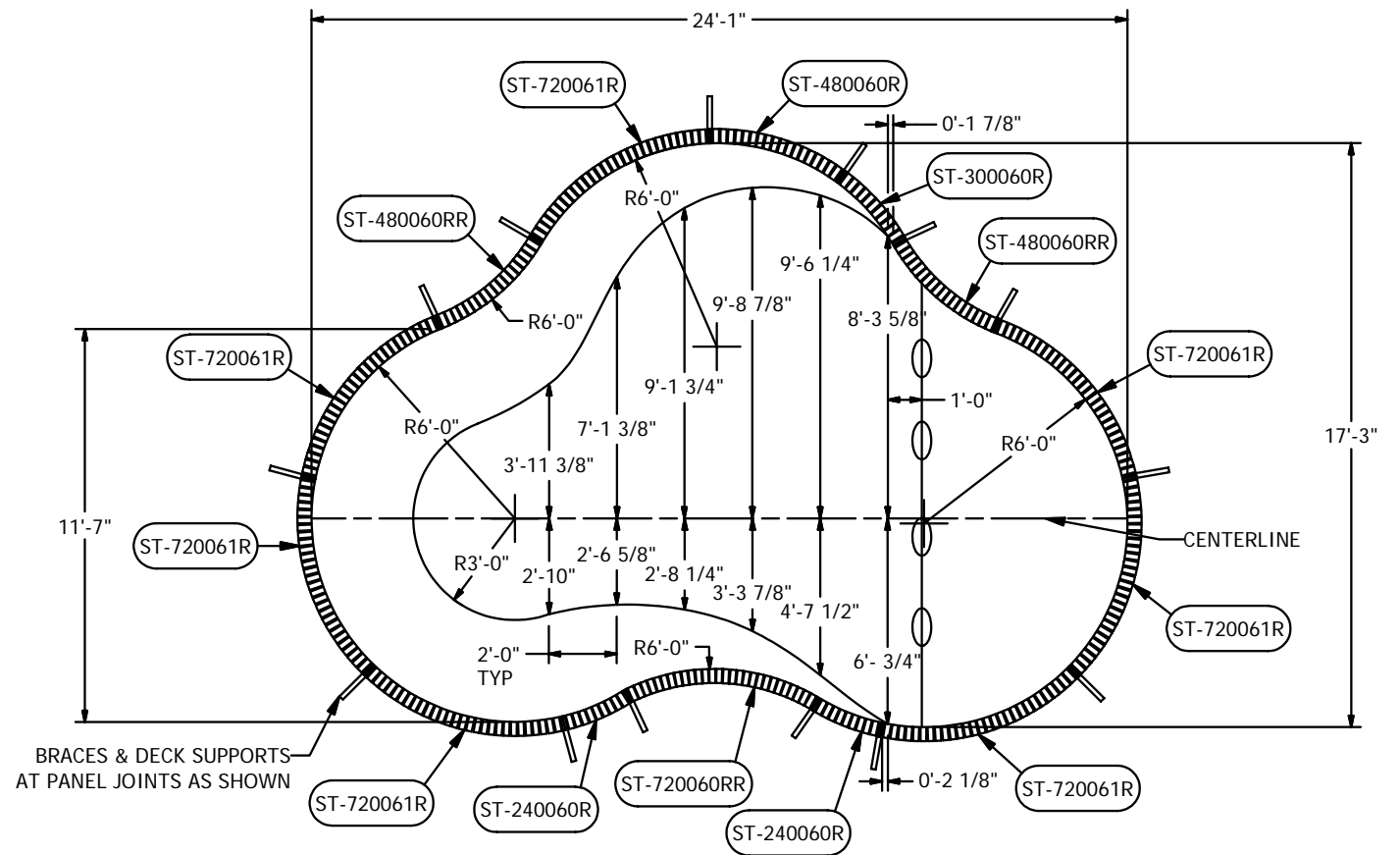
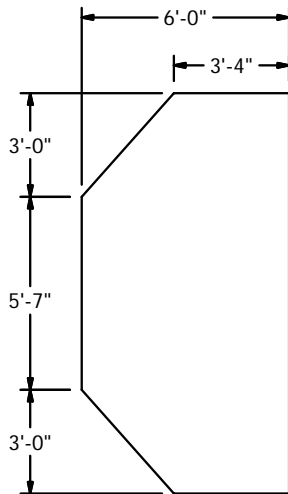
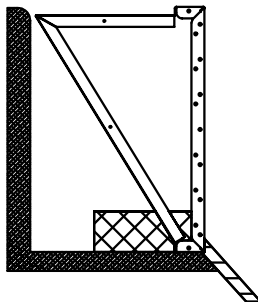
TURNBUCKLE BRACE



EMBEDDED NUT BRACE



DECK SUPPORT (OPTIONAL)



N.S.P.I. TYPE 0

NO DIVING DANGER: DIVING MAY RESULT IN SERIOUS INJURY OR DEATH. Signage must be permanently attached around the perimeter of the pool.

THIS DOCUMENT IS FOR ILLUSTRATIVE PURPOSES ONLY. Trivector Mfg. Inc. makes only those representations which are stated in its written warranty. Any other representations, statements, or contracts made by the dealer/contractor to the customer regarding any components produced by Trivector Mfg. Inc. are attributable to the dealer/contractor only. The dealer or contractor who sells or installs your pool is an independent contractor and is not an agent or employee of Trivector Mfg. Inc. The construction methods illustrated here are suggestions and apply only to normal ground conditions. There may be additional precautions and/or methods of construction. The responsibility is the contractor's. -A safety line, with buoys, is to be permanently attached 1'-0" to the shallow side of the point of first slope change. -Different methods and precautions may be dictated by various ground conditions. This is to be determined by and is the responsibility of the contractor who is not an agent of the manufacturer of the component parts. -Installation is to be done in accordance with all federal, state and local building codes, as well as A.N.S.I./N.S.P.I. suggested standards. -BOTTOM SPECIFICATIONS MUST MEET OR EXCEED A.N.S.I./N.S.P.I./A.P.S.P. RECOMMENDED STANDARDS -"NO DIVING" signage must be permanently attached to the entire perimeter of the pool. See instructions with signage. *IT IS RECOMMENDED TO NOT INSTALL DIVING BOARDS AND/OR SLIDING EQUIPMENT ON RESIDENTIAL POOLS*. Then add the following: If diving boards and/or sliding equipment is installed by the contractor, such diving boards and sliding equipment MUST BE INSTALLED WITHIN THE GUIDELINES ESTABLISHED BY ANSI/NSPI/ASPA RECOMMENDED STANDARDS, AND IN ACCORDANCE WITH ALL APPLICABLE STATE AND LOCAL CODES AND REGULATIONS.

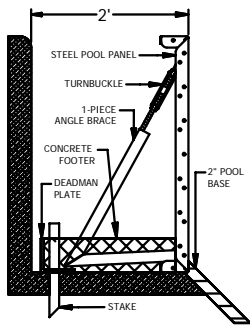


STEEL WALL POOL SYSTEM

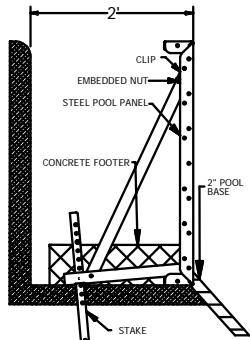
23'-6" X 40'-5" ASPEN

DWG #: GS-1085 DATE: 8/29/2011 REV: C PAGE 2 OF 3

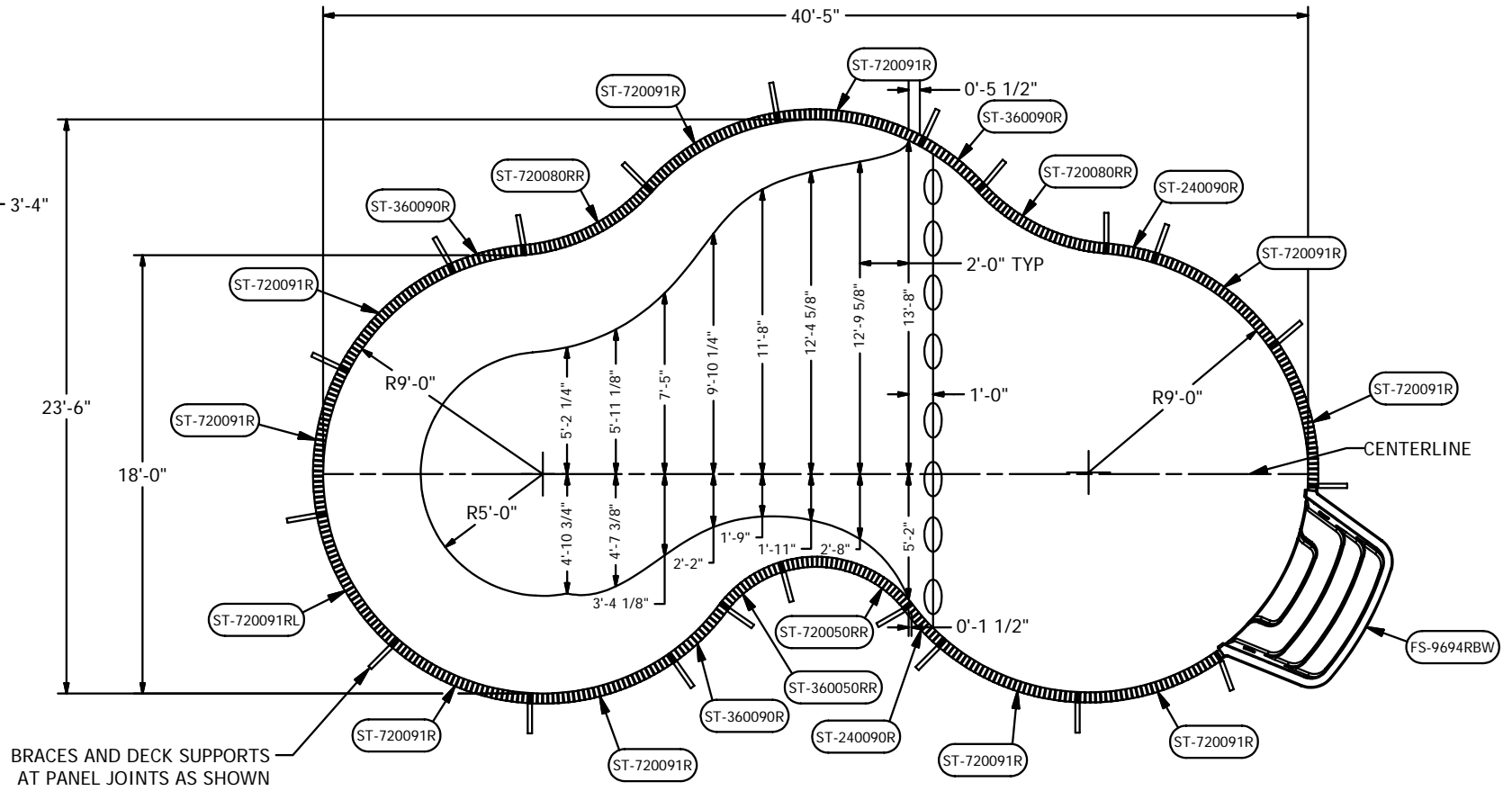
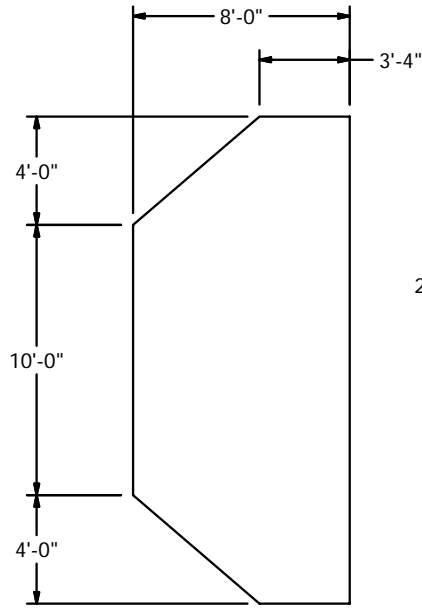
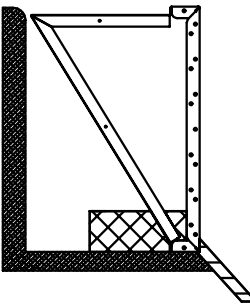
TURNBUCKLE BRACE



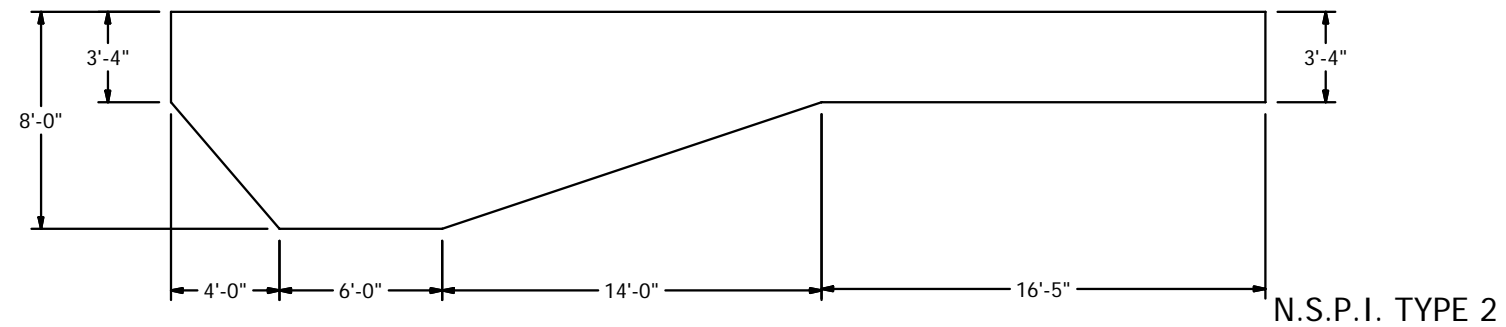
EMBEDDED NUT BRACE



DECK SUPPORT (OPTIONAL)



BRACES AND DECK SUPPORTS AT PANEL JOINTS AS SHOWN



N.S.P.I. TYPE 2

NO DIVING DANGER: DIVING MAY RESULT IN SERIOUS INJURY OR DEATH. Signage must be permanently attached around the perimeter of the pool.

THIS DOCUMENT IS FOR ILLUSTRATIVE PURPOSES ONLY. Trivector Mfg. Inc. makes only those representations which are stated in its written warranty. Any other representations, statements, or contracts made by the dealer/contractor to the customer regarding any components produced by Trivector Mfg. Inc. are attributable to the dealer/contractor only. The dealer or contractor who sells or installs your pool is an independent contractor and is not an agent or employee of Trivector Mfg. Inc. The construction methods illustrated here are suggestions and apply only to normal ground conditions. There may be additional precautions and/or methods of construction. The responsibility is the contractor's. -A safety line, with buoys, is to be permanently attached 1'-0" to the shallow side of the point of first slope change. -Different methods and precautions may be dictated by various ground conditions. This is to be determined by and is the responsibility of the contractor who is not an agent of the manufacturer of the component parts. -Installation is to be done in accordance with all federal, state and local building codes, as well as A.N.S.I./N.S.P.I. suggested standards. -BOTTOM SPECIFICATIONS MUST MEET OR EXCEED A.N.S.I./N.S.P.I./A.P.S.P. RECOMMENDED STANDARDS -"NO DIVING" signage must be permanently attached to the entire perimeter of the pool. See instructions with signage. *IT IS RECOMMENDED TO NOT INSTALL DIVING BOARDS AND/OR SLIDING EQUIPMENT ON RESIDENTIAL POOLS*. Then add the following: If diving boards and/or sliding equipment is installed by the contractor, such diving boards and sliding equipment MUST BE INSTALLED WITHIN THE GUIDELINES ESTABLISHED BY ANSI/NSPI/ASPA RECOMMENDED STANDARDS, AND IN ACCORDANCE WITH ALL APPLICABLE STATE AND LOCAL CODES AND REGULATIONS.

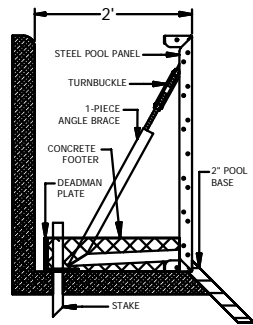


STEEL WALL POOL SYSTEM

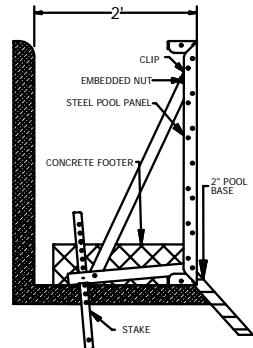
29'-10" X 43'-4" ASPEN

DWG #: GS-1086 DATE: 8/29/2011 REV: C PAGE 2 OF 3

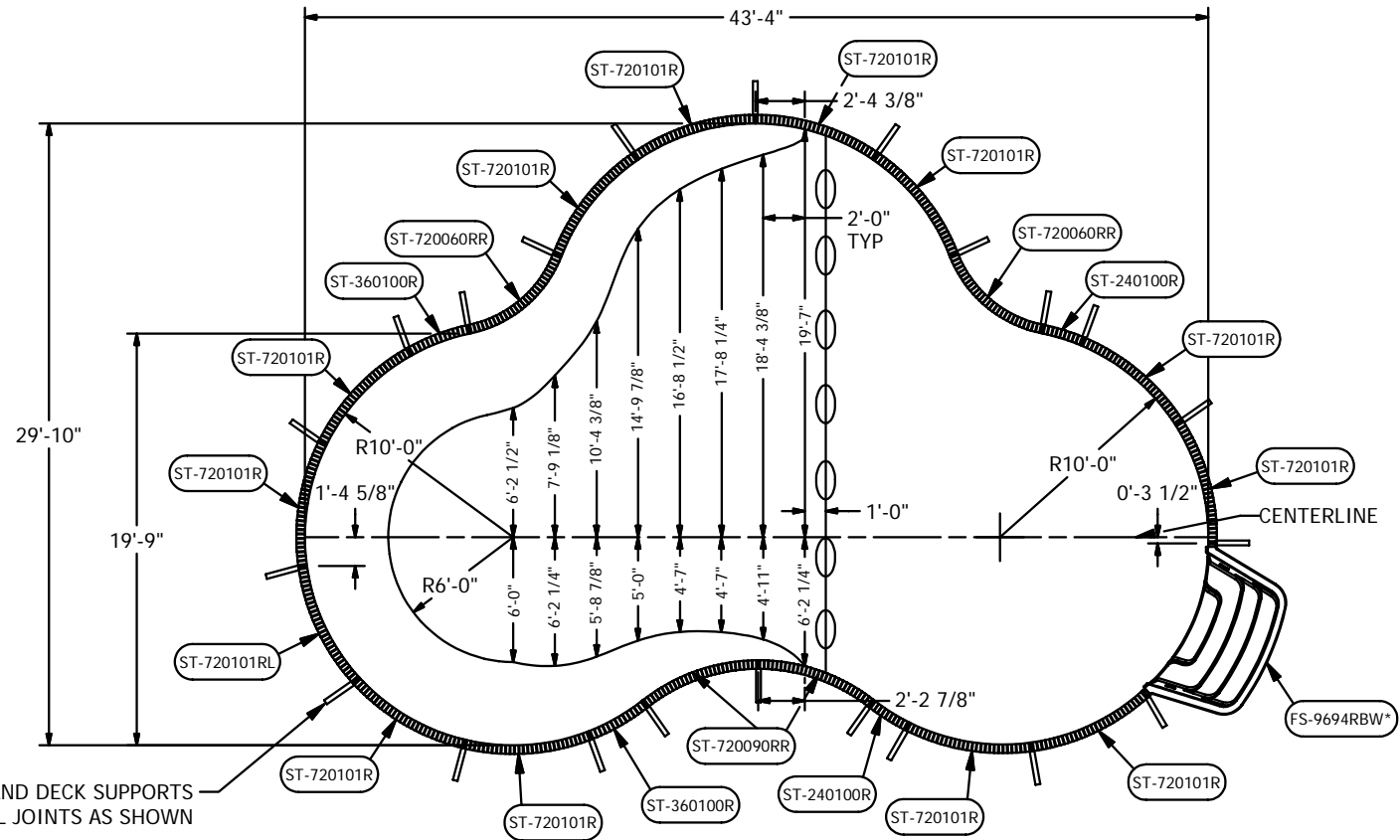
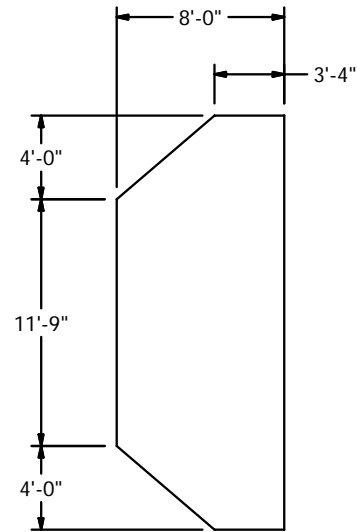
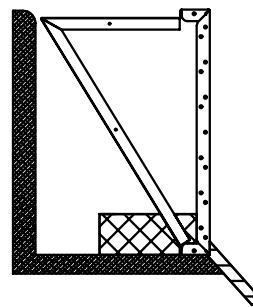
TURNBUCKLE BRACE



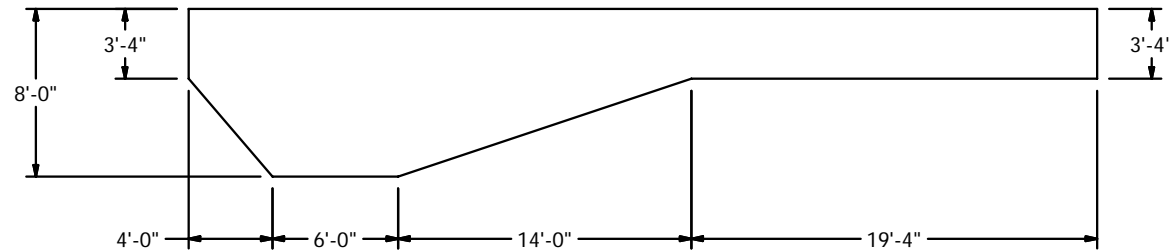
EMBEDDED NUT BRACE



DECK SUPPORT (OPTIONAL)



BRACES AND DECK SUPPORTS AT PANEL JOINTS AS SHOWN



N.S.P.I. TYPE 2

NO DIVING DANGER: DIVING MAY RESULT IN SERIOUS INJURY OR DEATH. Signage must be permanently attached around the perimeter of the pool.

THIS DOCUMENT IS FOR ILLUSTRATIVE PURPOSES ONLY. Trivector Mfg. Inc. makes only those representations which are stated in its written warranty. Any other representations, statements, or contracts made by the dealer/contractor to the customer regarding any components produced by Trivector Mfg. Inc. are attributable to the dealer/contractor only. The dealer or contractor who sells or installs your pool is an independent contractor and is not an agent or employee of Trivector Mfg. Inc. The construction methods illustrated here are suggestions and apply only to normal ground conditions. There may be additional precautions and/or methods of construction. The responsibility is the contractor's. -A safety line, with buoys, is to be permanently attached 1'-0" to the shallow side of the point of first slope change. -Different methods and precautions may be dictated by various ground conditions. This is to be determined by and is the responsibility of the contractor who is not an agent of the manufacturer of the component parts. -Installation is to be done in accordance with all federal, state and local building codes, as well as A.N.S.I./N.S.P.I. suggested standards. -BOTTOM SPECIFICATIONS MUST MEET OR EXCEED A.N.S.I./N.S.P.I./A.P.S.P. RECOMMENDED STANDARDS -NO DIVING' signage must be permanently attached to the entire perimeter of the pool. See instructions with signage. *IT IS RECOMMENDED TO NOT INSTALL DIVING BOARDS AND/OR SLIDING EQUIPMENT ON RESIDENTIAL POOLS*. Then add the following: If diving boards and/or sliding equipment is installed by the contractor, such diving boards and sliding equipment MUST BE INSTALLED WITHIN THE GUIDELINES ESTABLISHED BY ANSI/NSPI/ASPA RECOMMENDED STANDARDS, AND IN ACCORDANCE WITH ALL APPLICABLE STATE AND LOCAL CODES AND REGULATIONS.

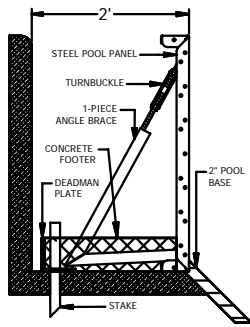


STEEL WALL POOL SYSTEM

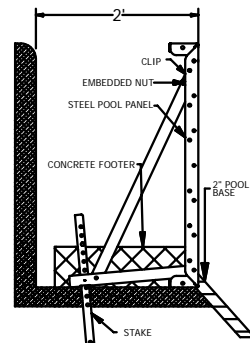
20'-7" X 36'-7" AUBURN LAKE

DWG #: GS-1088 DATE: 8/29/2011 REV: C PAGE 2 OF 3

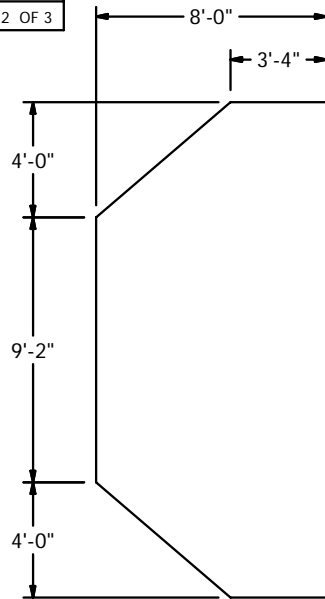
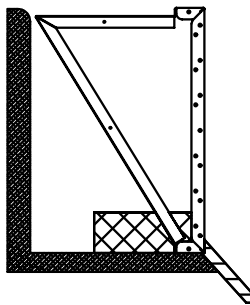
TURNBUCKLE BRACE



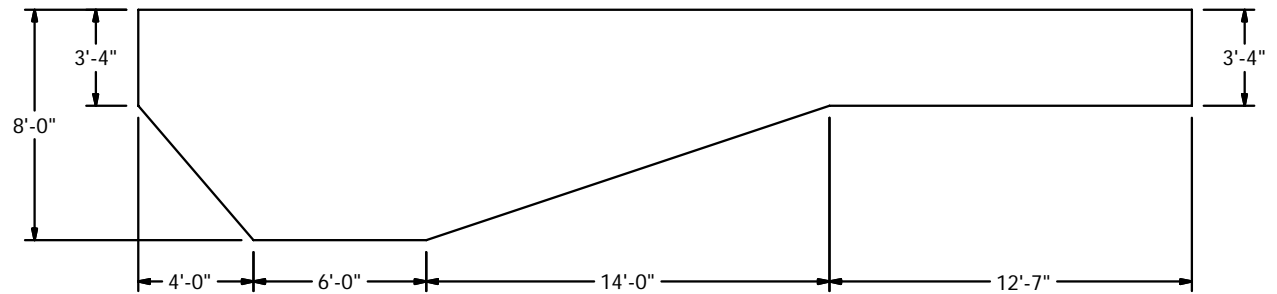
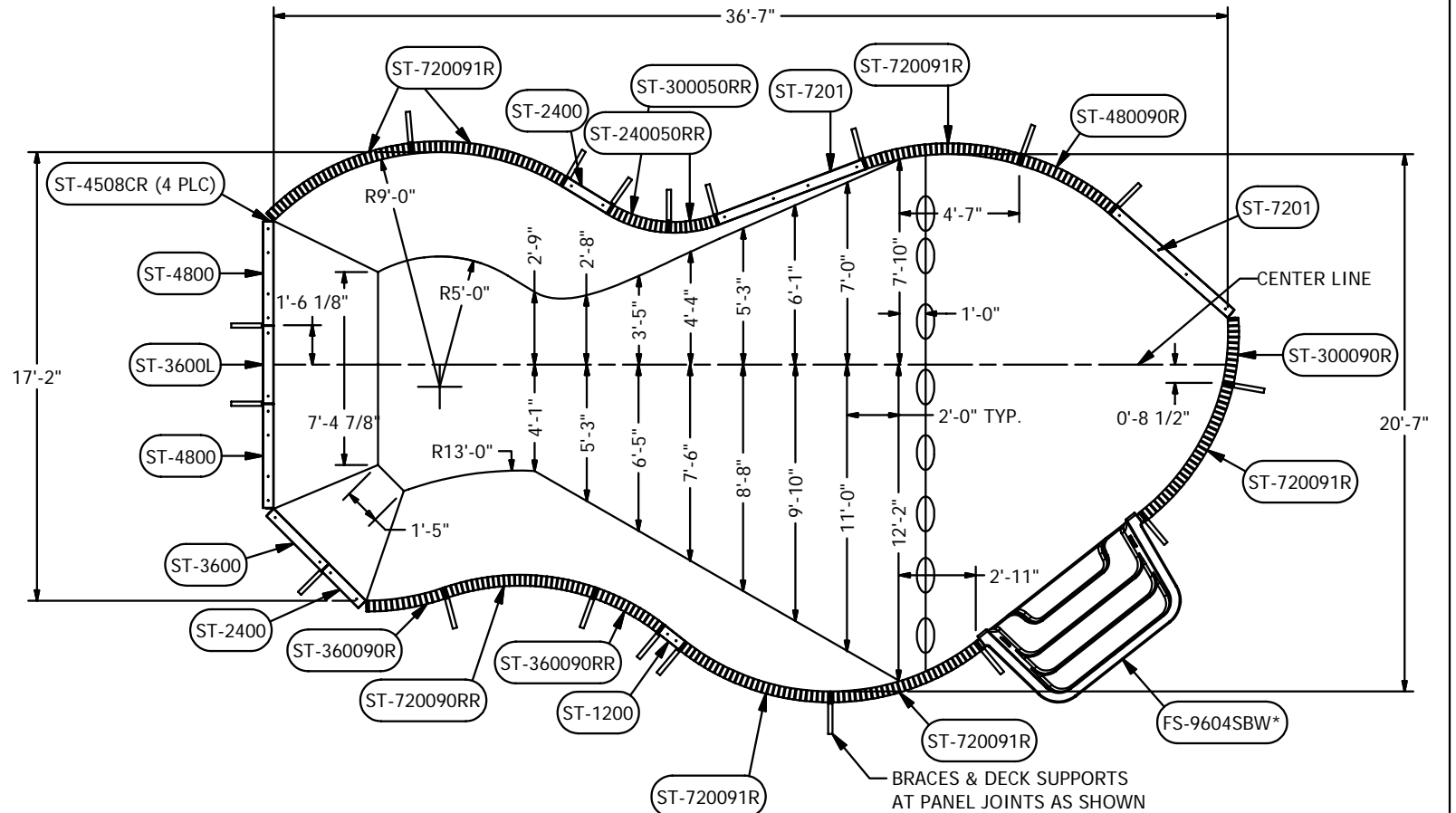
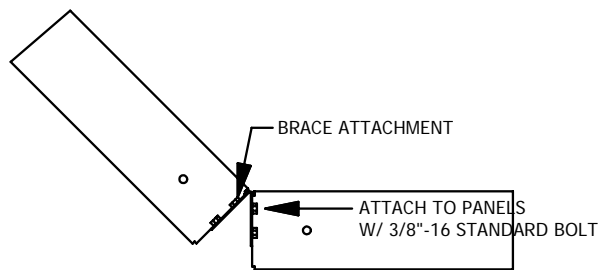
EMBEDDED NUT BRACE



DECK SUPPORT (OPTIONAL)



45 DEG DETAIL



NSPI TYPE 2

NO DIVING DANGER: DIVING MAY RESULT IN SERIOUS INJURY OR DEATH. Signage must be permanently attached around the perimeter of the pool.

THIS DOCUMENT IS FOR ILLUSTRATIVE PURPOSES ONLY. Trivector Mfg. Inc. makes only those representations which are stated in its written warranty. Any other representations, statements, or contracts made by the dealer/contractor to the customer regarding any components produced by Trivector Mfg. Inc. are attributable to the dealer/contractor only. The dealer or contractor who sells or installs your pool is an independent contractor and is not an agent or employee of Trivector Mfg. Inc. The construction methods illustrated here are suggestions and apply only to normal ground conditions. There may be additional precautions and/or methods of construction. The responsibility is the contractor's. -A safety line, with buoys, is to be permanently attached 1'-0" to the shallow side of the point of first slope change. -Different methods and precautions may be dictated by various ground conditions. This is to be determined by and is the responsibility of the contractor who is not an agent of the manufacturer of the component parts. -Installation is to be done in accordance with all federal, state and local building codes, as well as A.N.S.I./N.S.P.I. suggested standards. -BOTTOM SPECIFICATIONS MUST MEET OR EXCEED A.N.S.I./N.S.P.I./A.P.S.P. RECOMMENDED STANDARDS -"NO DIVING" signage must be permanently attached to the entire perimeter of the pool. See instructions with signage. *IT IS RECOMMENDED TO NOT INSTALL DIVING BOARDS AND/OR SLIDING EQUIPMENT ON RESIDENTIAL POOLS*. Then add the following: If diving boards and/or sliding equipment is installed by the contractor, such diving boards and sliding equipment MUST BE INSTALLED WITHIN THE GUIDELINES ESTABLISHED BY ANSI/NSPI/ASPA RECOMMENDED STANDARDS, AND IN ACCORDANCE WITH ALL APPLICABLE STATE AND LOCAL CODES AND REGULATIONS.

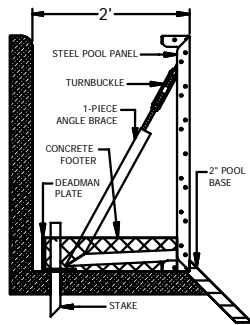


STEEL WALL POOL SYSTEM

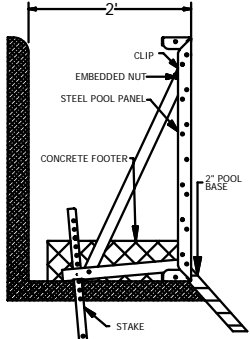
22'-9" X 38'-9" AUBURN LAKE

DWG #: GS-1089 DATE: 8/29/2011 REV: C PAGE 2 OF 3

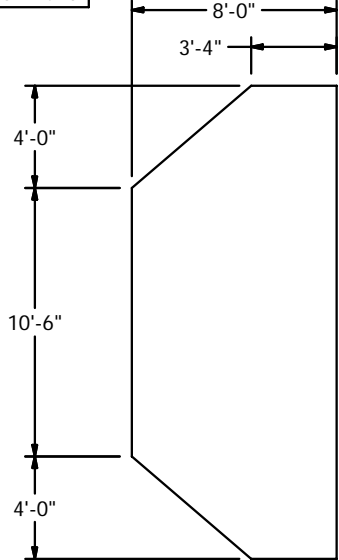
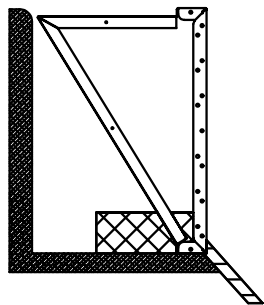
TURNBUCKLE BRACE



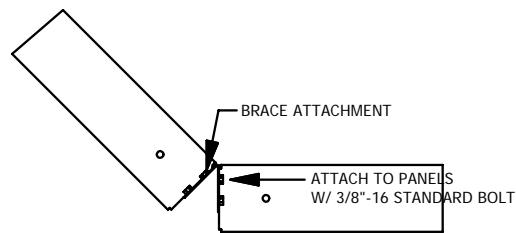
EMBEDDED NUT BRACE



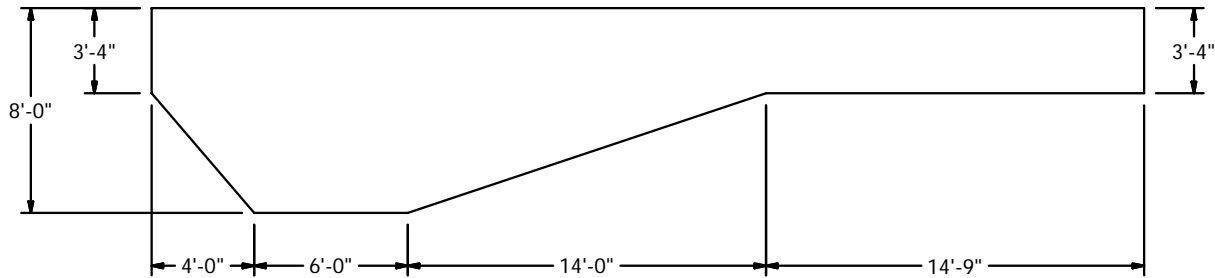
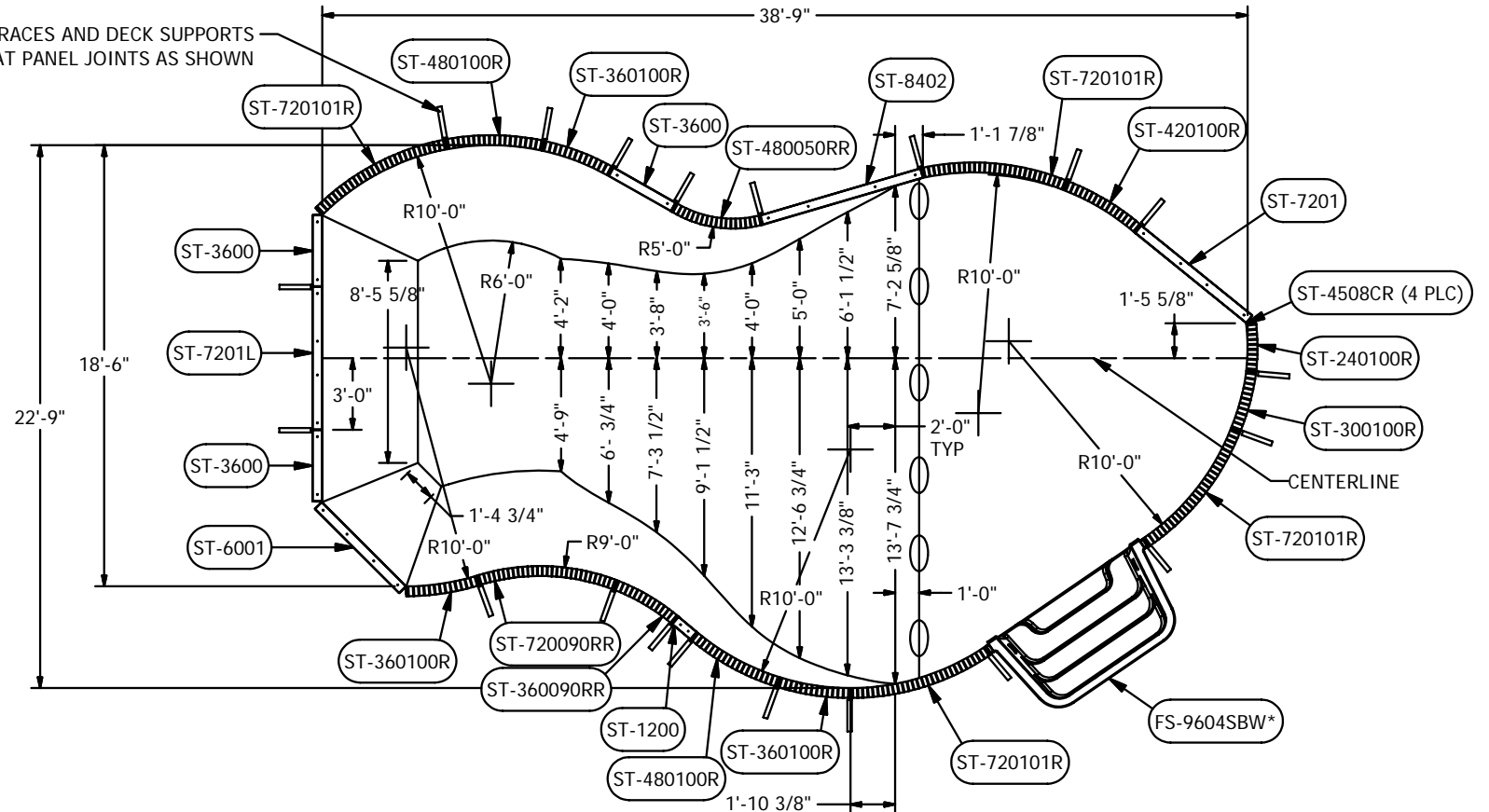
DECK SUPPORT (OPTIONAL)



45 DEG DETAIL



BRACES AND DECK SUPPORTS AT PANEL JOINTS AS SHOWN



N.S.P.I. TYPE 2

NO DIVING DANGER: DIVING MAY RESULT IN SERIOUS INJURY OR DEATH.



Signage must be permanently attached around the perimeter of the pool.

THIS DOCUMENT IS FOR ILLUSTRATIVE PURPOSES ONLY.

Trivector Mfg. Inc. makes only those representations which are stated in its written warranty. Any other representations, statements, or contracts made by the dealer/contractor to the customer regarding any components produced by Trivector Mfg. Inc. are attributable to the dealer/contractor only. The dealer or contractor who sells or installs your pool is an independent contractor and is not an agent or employee of Trivector Mfg. Inc. The construction methods illustrated here are suggestions and apply only to normal ground conditions. There may be additional precautions and/or methods of construction. The responsibility is the contractor's. -A safety line, with buoys, is to be permanently attached 1'-0" to the shallow side of the point of first slope change. -Different methods and precautions may be dictated by various ground conditions. This is to be determined by and is the responsibility of the contractor who is not an agent of the manufacturer of the component parts. -Installation is to be done in accordance with all federal, state and local building codes, as well as A.N.S.I./N.S.P.I. suggested standards. -BOTTOM SPECIFICATIONS MUST MEET OR EXCEED A.N.S.I./N.S.P.I./A.P.S.P. RECOMMENDED STANDARDS -"NO DIVING" signage must be permanently attached to the entire perimeter of the pool. See instructions with signage. *IT IS RECOMMENDED TO NOT INSTALL DIVING BOARDS AND/OR SLIDING EQUIPMENT ON RESIDENTIAL POOLS*. Then add the following: If diving boards and/or sliding equipment is installed by the contractor, such diving boards and sliding equipment MUST BE INSTALLED WITHIN THE GUIDELINES ESTABLISHED BY ANSI/NSPI/ASPA RECOMMENDED STANDARDS, AND IN ACCORDANCE WITH ALL APPLICABLE STATE AND LOCAL CODES AND REGULATIONS.

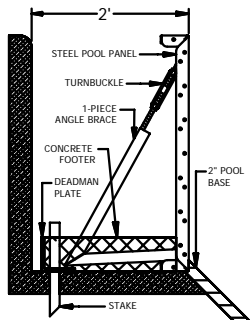


STEEL WALL POOL SYSTEM

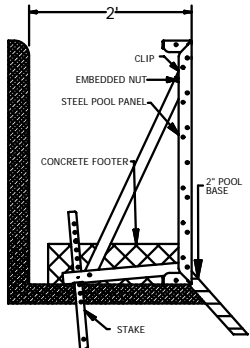
24'-1" X 41'-8" AUBURN LAKE

DWG #: GS-1090 DATE: 8/29/2011 REV: C PAGE 2 OF 3

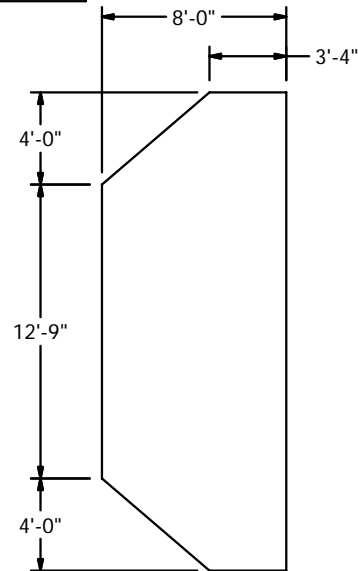
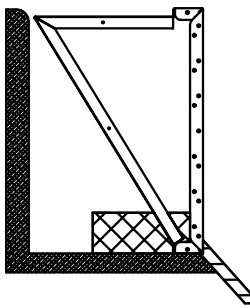
TURNBUCKLE BRACE



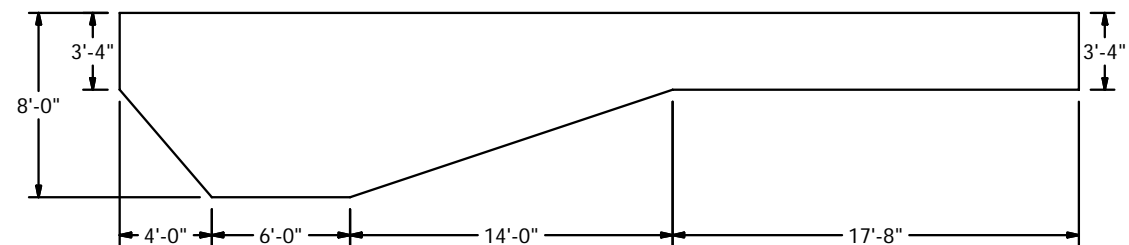
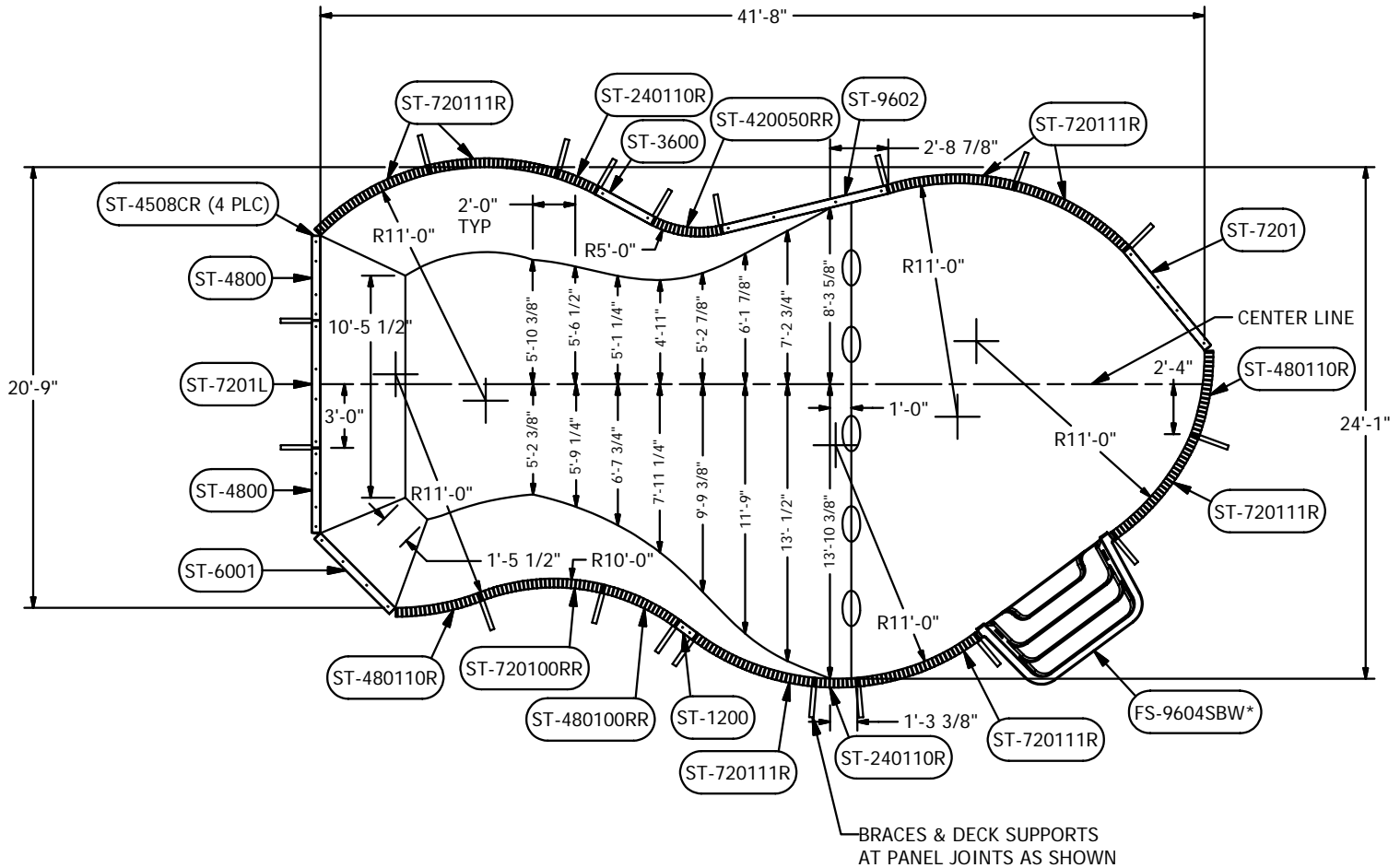
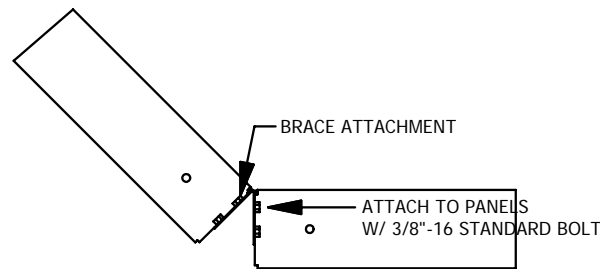
EMBEDDED NUT BRACE



DECK SUPPORT (OPTIONAL)



45 DEG DETAIL



N.S.P.I. TYPE 2

NO DIVING DANGER: DIVING MAY RESULT IN SERIOUS INJURY OR DEATH. Signage must be permanently attached around the perimeter of the pool.

THIS DOCUMENT IS FOR ILLUSTRATIVE PURPOSES ONLY. Trivector Mfg. Inc. makes only those representations which are stated in its written warranty. Any other representations, statements, or contracts made by the dealer/contractor to the customer regarding any components produced by Trivector Mfg. Inc. are attributable to the dealer/contractor only. The dealer or contractor who sells or installs your pool is an independent contractor and is not an agent or employee of Trivector Mfg. Inc. The construction methods illustrated here are suggestions and apply only to normal ground conditions. There may be additional precautions and/or methods of construction. The responsibility is the contractor's. -A safety line, with buoys, is to be permanently attached 1'-0" to the shallow side of the point of first slope change. -Different methods and precautions may be dictated by various ground conditions. This is to be determined by and is the responsibility of the contractor who is not an agent of the manufacturer of the component parts. -Installation is to be done in accordance with all federal, state and local building codes, as well as A.N.S.I./N.S.P.I. suggested standards. -BOTTOM SPECIFICATIONS MUST MEET OR EXCEED A.N.S.I./N.S.P.I./A.P.S.P. RECOMMENDED STANDARDS -"NO DIVING" signage must be permanently attached to the entire perimeter of the pool. See instructions with signage. *IT IS RECOMMENDED TO NOT INSTALL DIVING BOARDS AND/OR SLIDING EQUIPMENT ON RESIDENTIAL POOLS*. Then add the following: If diving boards and/or sliding equipment is installed by the contractor, such diving boards and sliding equipment MUST BE INSTALLED WITHIN THE GUIDELINES ESTABLISHED BY ANSI/NSPI/ASPA RECOMMENDED STANDARDS, AND IN ACCORDANCE WITH ALL APPLICABLE STATE AND LOCAL CODES AND REGULATIONS.

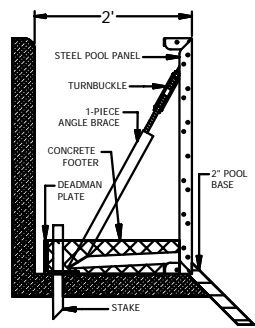


STEEL WALL POOL SYSTEM

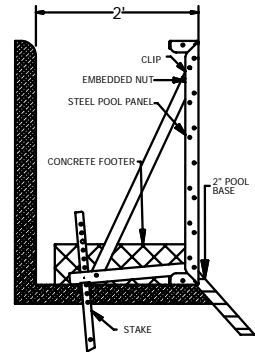
16' X 30'-6" BAJA

DWG #: GS-1118 DATE: 8/29/2011 REV: C PAGE 2 OF 3

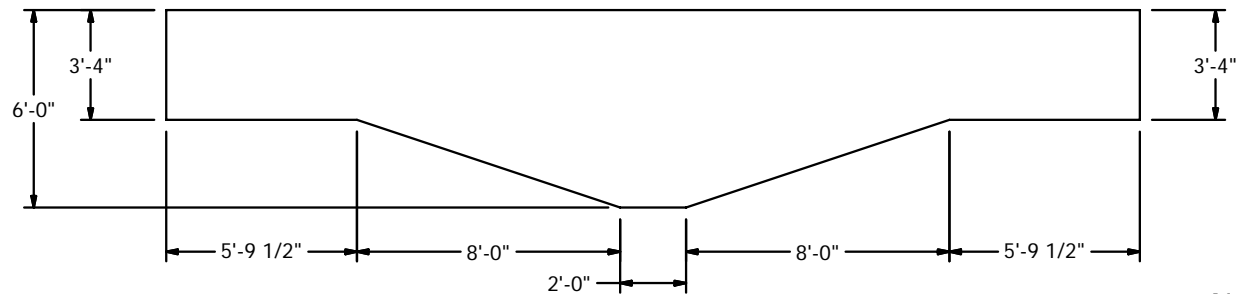
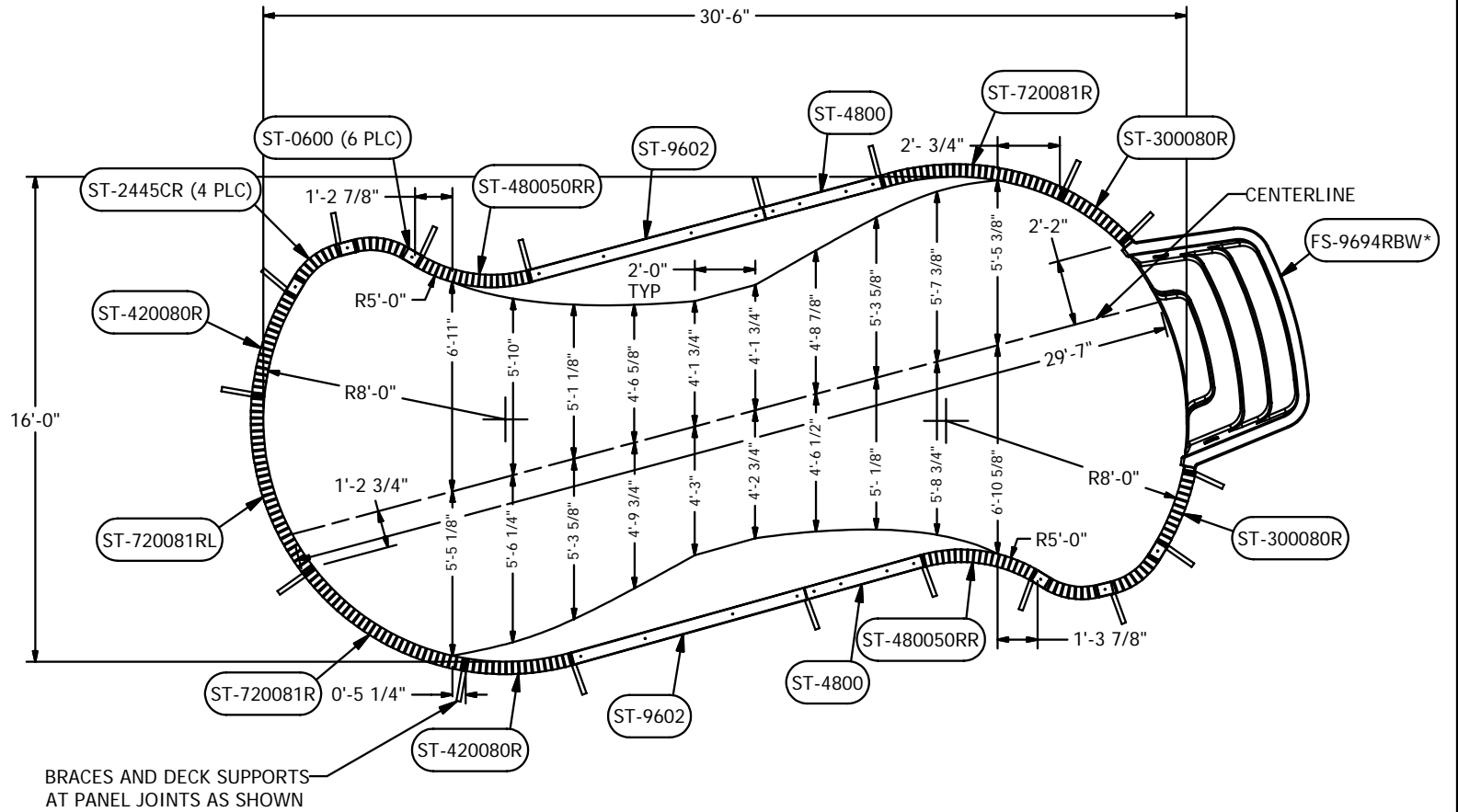
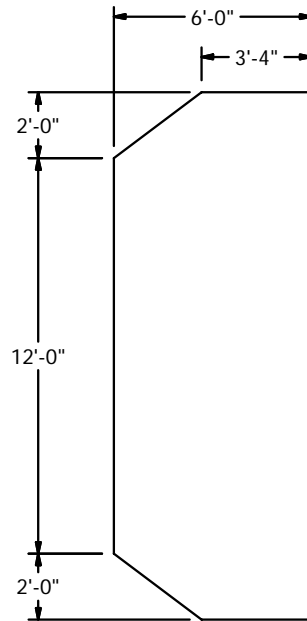
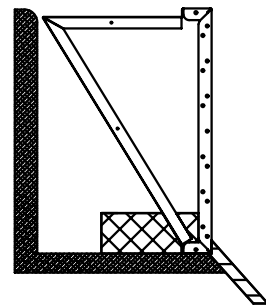
TURNBUCKLE BRACE



EMBEDDED NUT BRACE



DECK SUPPORT (OPTIONAL)



N.S.P.I. TYPE 0

NO DIVING DANGER: DIVING MAY RESULT IN SERIOUS INJURY OR DEATH. Signage must be permanently attached around the perimeter of the pool.

THIS DOCUMENT IS FOR ILLUSTRATIVE PURPOSES ONLY. Trivector Mfg. Inc. makes only those representations which are stated in its written warranty. Any other representations, statements, or contracts made by the dealer/contractor to the customer regarding any components produced by Trivector Mfg. Inc. are attributable to the dealer/contractor only. The dealer or contractor who sells or installs your pool is an independent contractor and is not an agent or employee of Trivector Mfg. Inc. The construction methods illustrated here are suggestions and apply only to normal ground conditions. There may be additional precautions and/or methods of construction. The responsibility is the contractor's. -A safety line, with buoys, is to be permanently attached 1'-0" to the shallow side of the point of first slope change. -Different methods and precautions may be dictated by various ground conditions. This is to be determined by and is the responsibility of the contractor who is not an agent of the manufacturer of the component parts. -Installation is to be done in accordance with all federal, state and local building codes, as well as A.N.S.I./N.S.P.I. suggested standards. -BOTTOM SPECIFICATIONS MUST MEET OR EXCEED A.N.S.I./N.S.P.I./A.P.S.P. RECOMMENDED STANDARDS "NO DIVING" signage must be permanently attached to the entire perimeter of the pool. See instructions with signage. *IT IS RECOMMENDED TO NOT INSTALL DIVING BOARDS AND/OR SLIDING EQUIPMENT ON RESIDENTIAL POOLS*. Then add the following: If diving boards and/or sliding equipment is installed by the contractor, such diving equipment MUST BE INSTALLED WITHIN THE GUIDELINES ESTABLISHED BY ANSI/NSPI/ASPA RECOMMENDED STANDARDS, AND IN ACCORDANCE WITH ALL APPLICABLE STATE AND LOCAL CODES AND REGULATIONS.

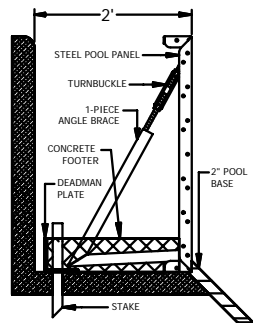


STEEL WALL POOL SYSTEM

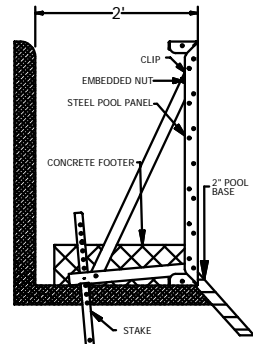
17'-7" X 35'-10" BAJA

DWG #: GS-1119 DATE: 8/29/2011 REV: C PAGE 2 OF 3

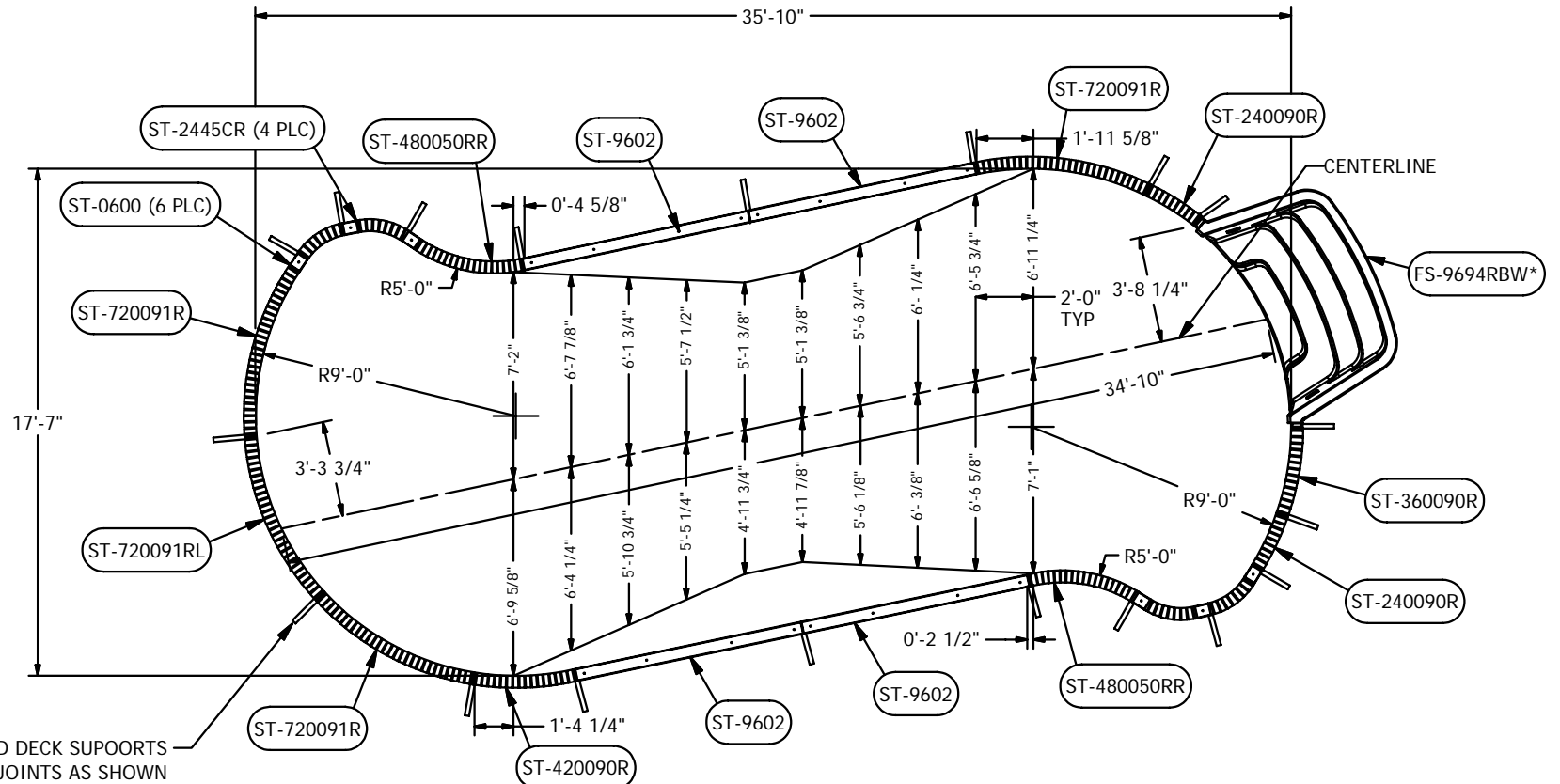
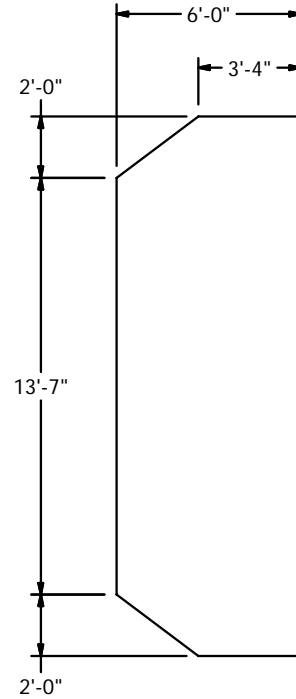
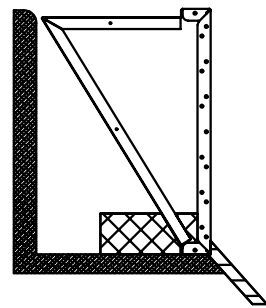
TURNBUCKLE BRACE



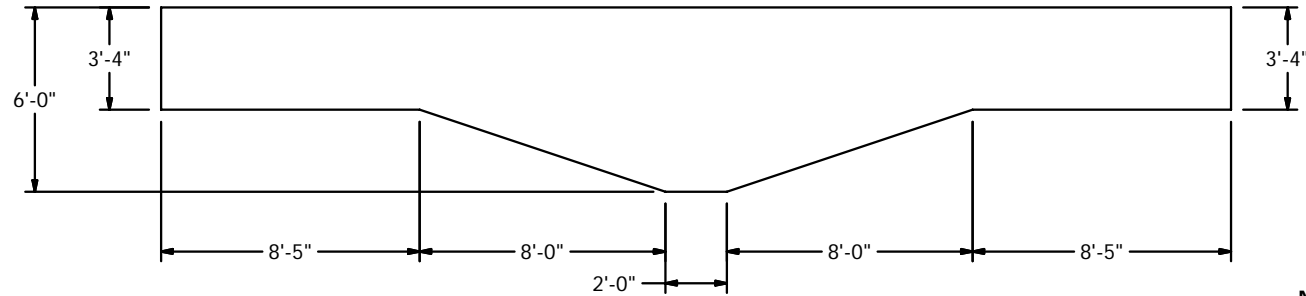
EMBEDDED NUT BRACE



DECK SUPPORT (OPTIONAL)



BRACES AND DECK SUPPORTS AT PANEL JOINTS AS SHOWN



N.S.P.I. TYPE 0

NO DIVING DANGER: DIVING MAY RESULT IN SERIOUS INJURY OR DEATH. Signage must be permanently attached around the perimeter of the pool.

THIS DOCUMENT IS FOR ILLUSTRATIVE PURPOSES ONLY. Trivector Mfg. Inc. makes only those representations which are stated in its written warranty. Any other representations, statements, or contracts made by the dealer/contractor to the customer regarding any components produced by Trivector Mfg. Inc. are attributable to the dealer/contractor only. The dealer or contractor who sells or installs your pool is an independent contractor and is not an agent or employee of Trivector Mfg. Inc. The construction methods illustrated here are suggestions and apply only to normal ground conditions. There may be additional precautions and/or methods of construction. The responsibility is the contractor's. -A safety line, with buoys, is to be permanently attached 1'-0" to the shallow side of the point of first slope change. -Different methods and precautions may be dictated by various ground conditions. This is to be determined by and is the responsibility of the contractor who is not an agent of the manufacturer of the component parts. -Installation is to be done in accordance with all federal, state and local building codes, as well as A.N.S.I./N.S.P.I. suggested standards. -BOTTOM SPECIFICATIONS MUST MEET OR EXCEED A.N.S.I./N.S.P.I./A.P.S.P. RECOMMENDED STANDARDS -NO DIVING' signage must be permanently attached to the entire perimeter of the pool. See instructions with signage. *IT IS RECOMMENDED TO NOT INSTALL DIVING BOARDS AND/OR SLIDING EQUIPMENT ON RESIDENTIAL POOLS*. Then add the following: If diving boards and/or sliding equipment is installed by the contractor, such diving boards and sliding equipment MUST BE INSTALLED WITHIN THE GUIDELINES ESTABLISHED BY ANSI/NSPI/ASPA RECOMMENDED STANDARDS, AND IN ACCORDANCE WITH ALL APPLICABLE STATE AND LOCAL CODES AND REGULATIONS.

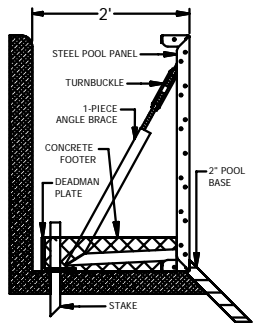


STEEL WALL POOL SYSTEM

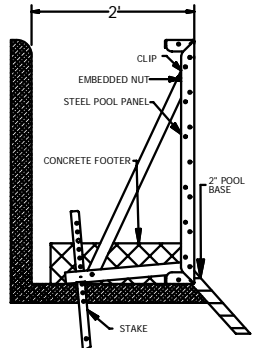
20'-6" X 40'-3" BAJA

DWG #: GS-1120 DATE: 8/29/2011 REV: C PAGE 2 OF 3

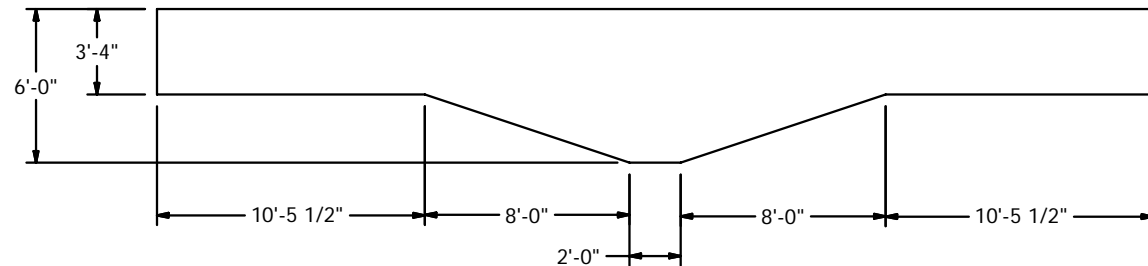
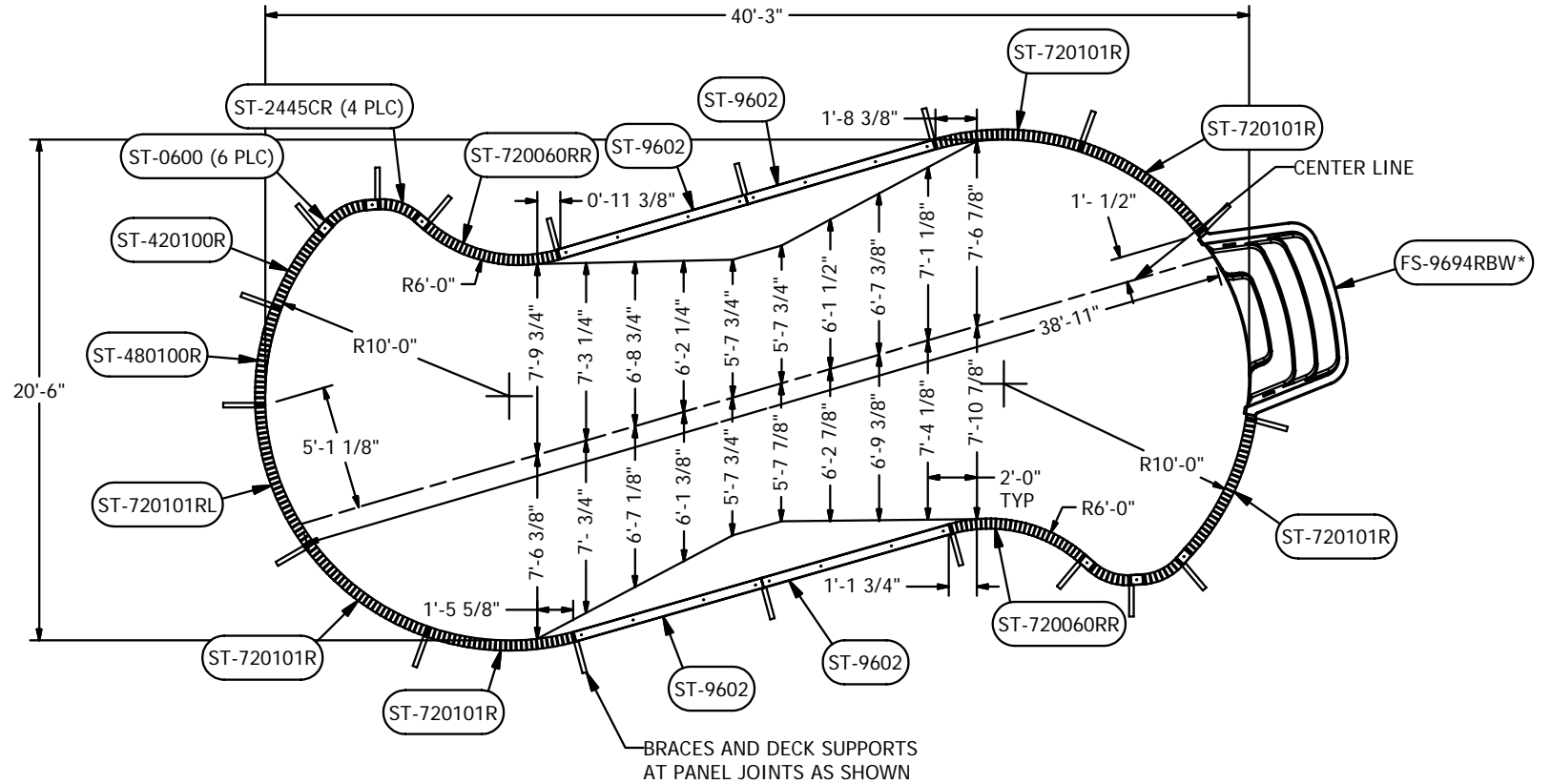
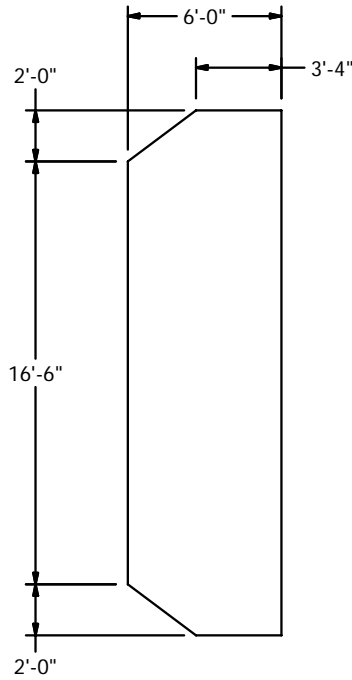
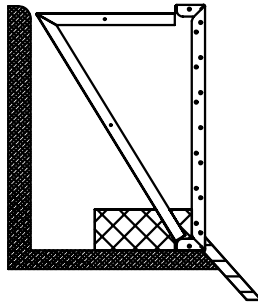
TURNBUCKLE BRACE



EMBEDDED NUT BRACE



DECK SUPPORT (OPTIONAL)



N.S.P.I. TYPE 0

NO DIVING DANGER: DIVING MAY RESULT IN SERIOUS INJURY OR DEATH. Signage must be permanently attached around the perimeter of the pool.

THIS DOCUMENT IS FOR ILLUSTRATIVE PURPOSES ONLY. Trivector Mfg. Inc. makes only those representations which are stated in its written warranty. Any other representations, statements, or contracts made by the dealer/contractor to the customer regarding any components produced by Trivector Mfg. Inc. are attributable to the dealer/contractor only. The dealer or contractor who sells or installs your pool is an independent contractor and is not an agent or employee of Trivector Mfg. Inc. The construction methods illustrated here are suggestions and apply only to normal ground conditions. There may be additional precautions and/or methods of construction. The responsibility is the contractor's. -A safety line, with buoys, is to be permanently attached 1'-0" to the shallow side of the point of first slope change. -Different methods and precautions may be dictated by various ground conditions. This is to be determined by and is the responsibility of the contractor who is not an agent of the manufacturer of the component parts. -Installation is to be done in accordance with all federal, state and local building codes, as well as A.N.S.I./N.S.P.I. suggested standards. -BOTTOM SPECIFICATIONS MUST MEET OR EXCEED A.N.S.I./N.S.P.I./A.P.S.P. RECOMMENDED STANDARDS -"NO DIVING" signage must be permanently attached to the entire perimeter of the pool. See instructions with signage. *IT IS RECOMMENDED TO NOT INSTALL DIVING BOARDS AND/OR SLIDING EQUIPMENT ON RESIDENTIAL POOLS*. Then add the following: If diving boards and/or sliding equipment is installed by the contractor, such diving boards and sliding equipment MUST BE INSTALLED WITHIN THE GUIDELINES ESTABLISHED BY ANSI/NSPI/ASPA RECOMMENDED STANDARDS, AND IN ACCORDANCE WITH ALL APPLICABLE STATE AND LOCAL CODES AND REGULATIONS.

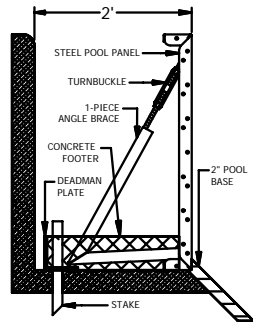


STEEL WALL POOL SYSTEM

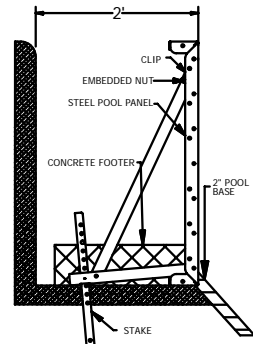
15'-11" X 25'-1" MOUNTAIN LAKE

DWG #: GS-1091 DATE: 8/29/2011 REV: C PAGE 2 OF 3

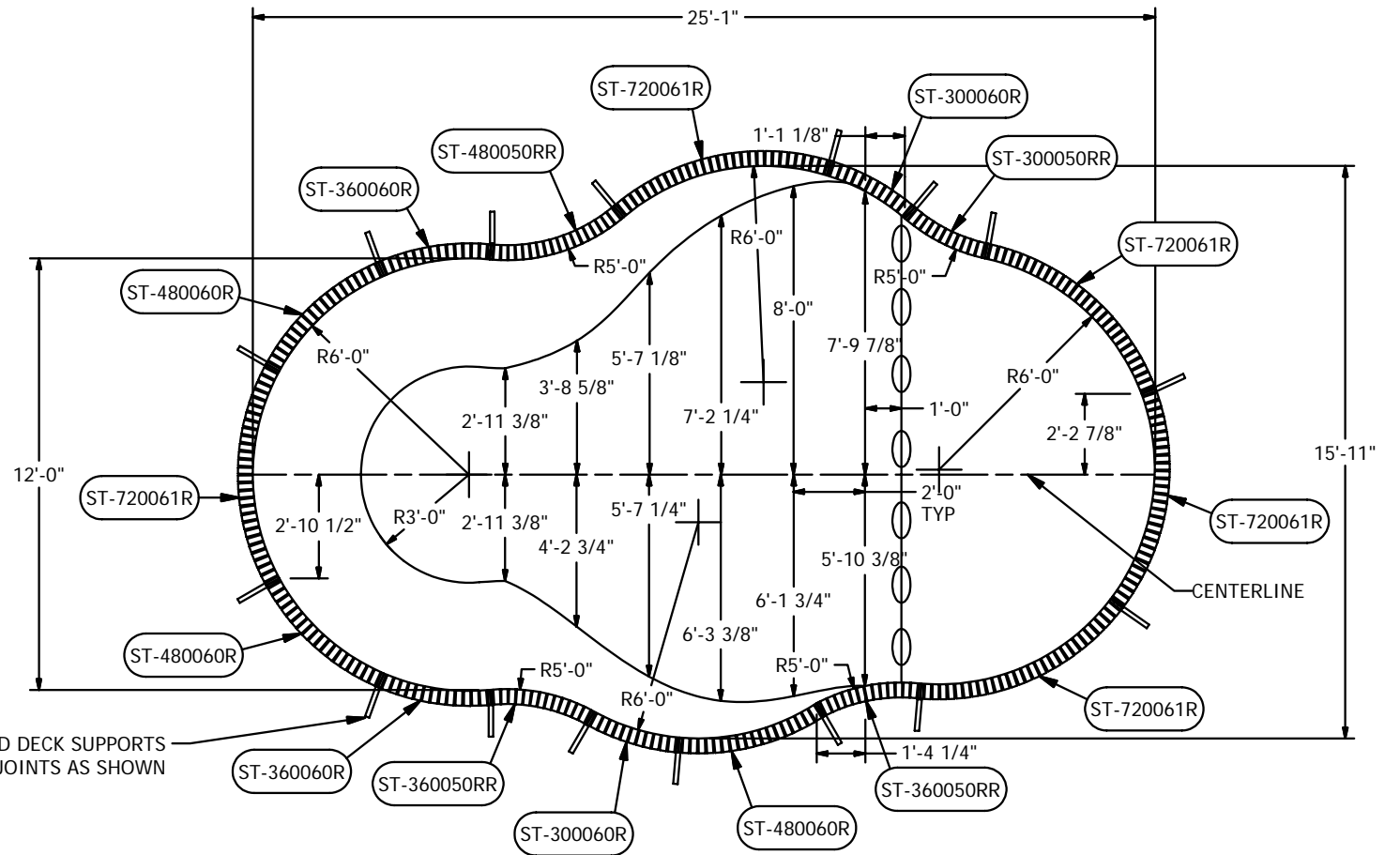
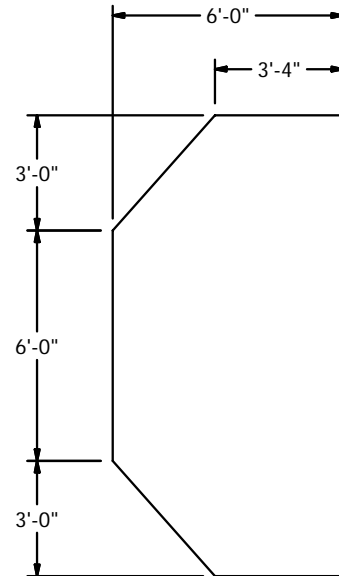
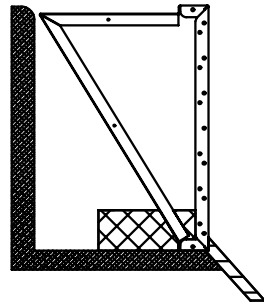
TURNBUCKLE BRACE



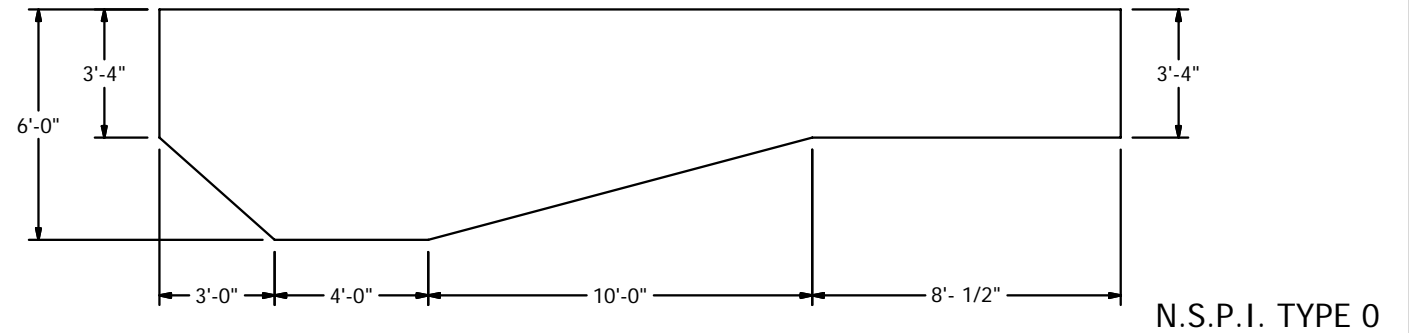
EMBEDDED NUT BRACE



DECK SUPPORT (OPTIONAL)



BRACES AND DECK SUPPORTS AT PANEL JOINTS AS SHOWN



NO DIVING DANGER: DIVING MAY RESULT IN SERIOUS INJURY OR DEATH. Signage must be permanently attached around the perimeter of the pool.

THIS DOCUMENT IS FOR ILLUSTRATIVE PURPOSES ONLY. Trivector Mfg. Inc. makes only those representations which are stated in its written warranty. Any other representations, statements, or contracts made by the dealer/contractor to the customer regarding any components produced by Trivector Mfg. Inc. are attributable to the dealer/contractor only. The dealer or contractor who sells or installs your pool is an independent contractor and is not an agent or employee of Trivector Mfg. Inc. The construction methods illustrated here are suggestions and apply only to normal ground conditions. There may be additional precautions and/or methods of construction. The responsibility is the contractor's. -A safety line, with buoys, is to be permanently attached 1'-0" to the shallow side of the point of first slope change. -Different methods and precautions may be dictated by various ground conditions. This is to be determined by and is the responsibility of the contractor who is not an agent of the manufacturer of the component parts. -Installation is to be done in accordance with all federal, state and local building codes, as well as A.N.S.I./N.S.P.I. suggested standards. -BOTTOM SPECIFICATIONS MUST MEET OR EXCEED A.N.S.I./N.S.P.I./A.P.S.P. RECOMMENDED STANDARDS -"NO DIVING" signage must be permanently attached to the entire perimeter of the pool. See instructions with signage. *IT IS RECOMMENDED TO NOT INSTALL DIVING BOARDS AND/OR SLIDING EQUIPMENT ON RESIDENTIAL POOLS*. Then add the following: If diving boards and/or sliding equipment is installed by the contractor, such diving boards and sliding equipment MUST BE INSTALLED WITHIN THE GUIDELINES ESTABLISHED BY ANSI/NSPI/ASPA RECOMMENDED STANDARDS, AND IN ACCORDANCE WITH ALL APPLICABLE STATE AND LOCAL CODES AND REGULATIONS.

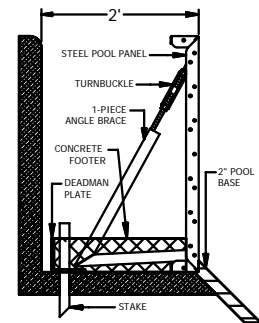


STEEL WALL POOL SYSTEM

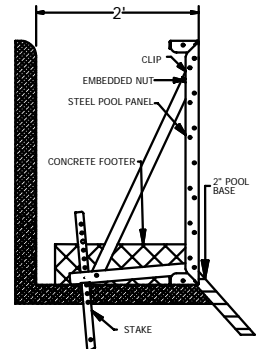
20'-4" X 33'-11" MOUNTAIN LAKE

DWG #: GS-1092 DATE: 8/29/2011 REV: C PAGE 2 OF 3

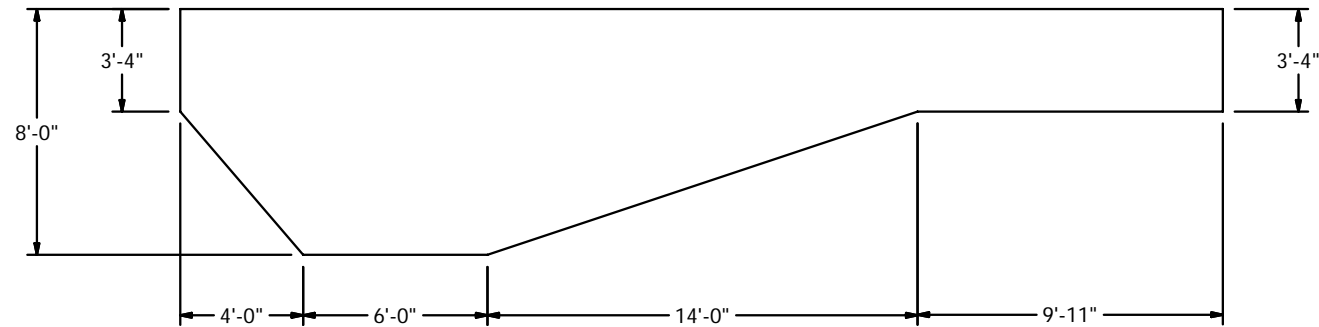
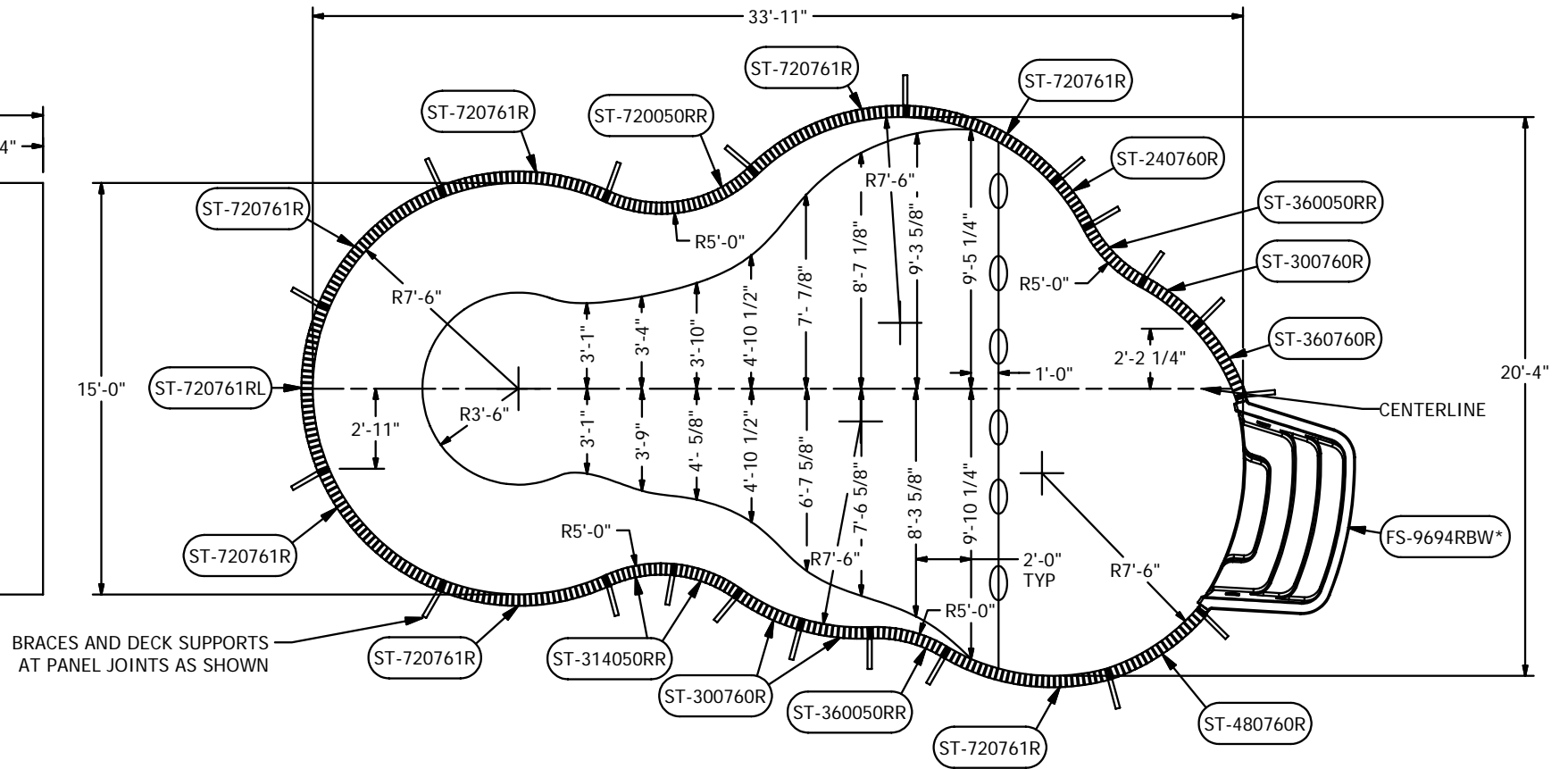
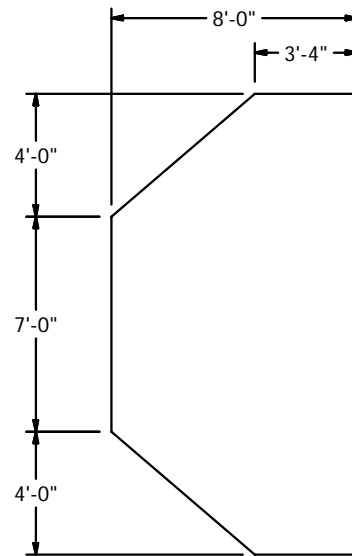
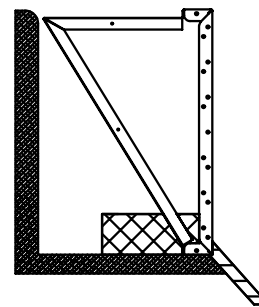
TURNBUCKLE BRACE



EMBEDDED NUT BRACE



DECK SUPPORT (OPTIONAL)



N.S.P.I. TYPE 2

NO DIVING DANGER: DIVING MAY RESULT IN SERIOUS INJURY OR DEATH. Signage must be permanently attached around the perimeter of the pool.

THIS DOCUMENT IS FOR ILLUSTRATIVE PURPOSES ONLY. Trivector Mfg. Inc. makes only those representations which are stated in its written warranty. Any other representations, statements, or contracts made by the dealer/contractor to the customer regarding any components produced by Trivector Mfg. Inc. are attributable to the dealer/contractor only. The dealer or contractor who sells or installs your pool is an independent contractor and is not an agent or employee of Trivector Mfg. Inc. The construction methods illustrated here are suggestions and apply only to normal ground conditions. There may be additional precautions and/or methods of construction. The responsibility is the contractor's. -A safety line, with buoys, is to be permanently attached 1'-0" to the shallow side of the point of first slope change. -Different methods and precautions may be dictated by various ground conditions. This is to be determined by and is the responsibility of the contractor who is not an agent of the manufacturer of the component parts. -Installation is to be done in accordance with all federal, state and local building codes, as well as A.N.S.I./N.S.P.I. suggested standards. -BOTTOM SPECIFICATIONS MUST MEET OR EXCEED A.N.S.I./N.S.P.I./A.P.S.P. RECOMMENDED STANDARDS -NO DIVING signage must be permanently attached to the entire perimeter of the pool. See instructions with signage. *IT IS RECOMMENDED TO NOT INSTALL DIVING BOARDS AND/OR SLIDING EQUIPMENT ON RESIDENTIAL POOLS*. Then add the following: If diving boards and/or sliding equipment is installed by the contractor, such diving boards and sliding equipment MUST BE INSTALLED WITHIN THE GUIDELINES ESTABLISHED BY ANSI/NSPI/ASPA RECOMMENDED STANDARDS, AND IN ACCORDANCE WITH ALL APPLICABLE STATE AND LOCAL CODES AND REGULATIONS.

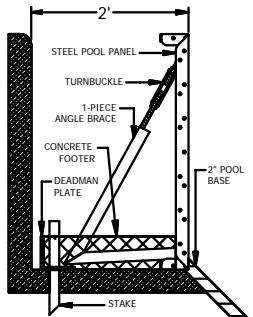


STEEL WALL POOL SYSTEM

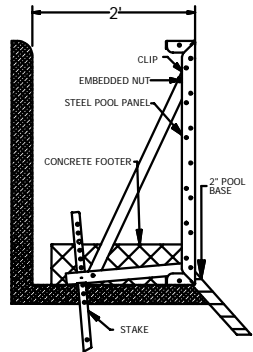
25'-7" X 43'-11" MOUNTAIN LAKE

DWG #: GS-1094 DATE: 8/29/2011 REV: C PAGE 2 OF 3

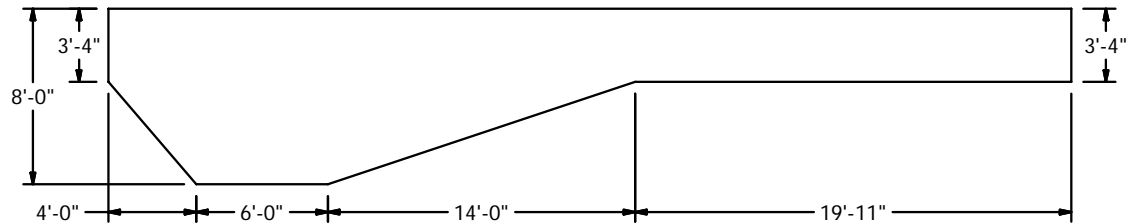
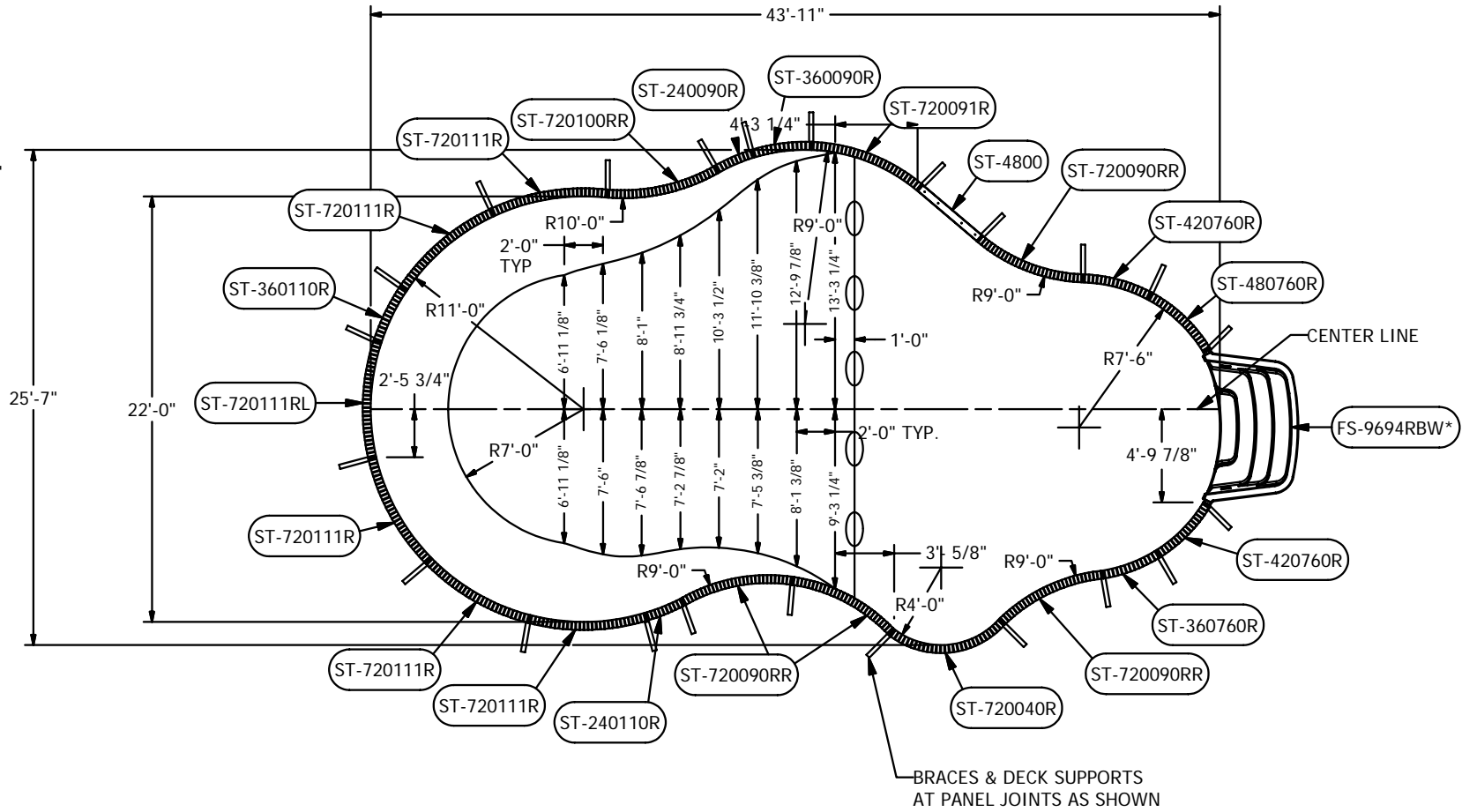
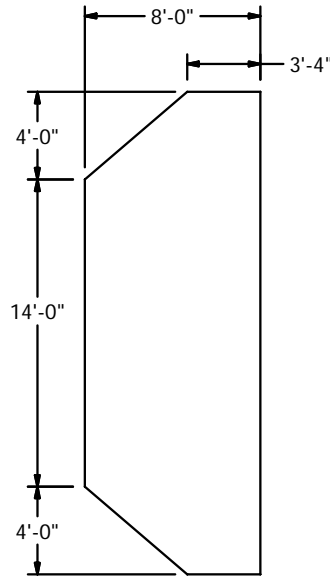
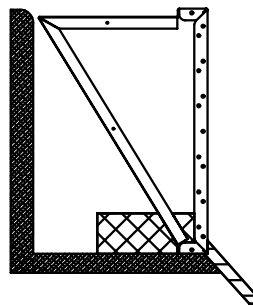
TURNBUCKLE BRACE



EMBEDDED NUT BRACE



DECK SUPPORT (OPTIONAL)



N.S.P.I. TYPE 2

NO DIVING DANGER: DIVING MAY RESULT IN SERIOUS INJURY OR DEATH. Signage must be permanently attached around the perimeter of the pool.

THIS DOCUMENT IS FOR ILLUSTRATIVE PURPOSES ONLY. Trivector Mfg. Inc. makes only those representations which are stated in its written warranty. Any other representations, statements, or contracts made by the dealer/contractor to the customer regarding any components produced by Trivector Mfg. Inc. are attributable to the dealer/contractor only. The dealer or contractor who sells or installs your pool is an independent contractor and is not an agent or employee of Trivector Mfg. Inc. The construction methods illustrated here are suggestions and apply only to normal ground conditions. There may be additional precautions and/or methods of construction. The responsibility is the contractor's. -A safety line, with buoys, is to be permanently attached 1'-0" to the shallow side of the point of first slope change. -Different methods and precautions may be dictated by various ground conditions. This is to be determined by and is the responsibility of the contractor who is not an agent of the manufacturer of the component parts. -Installation is to be done in accordance with all federal, state and local building codes, as well as A.N.S.I./N.S.P.I. suggested standards. -BOTTOM SPECIFICATIONS MUST MEET OR EXCEED A.N.S.I./N.S.P.I./A.P.S.P. RECOMMENDED STANDARDS -"NO DIVING" signage must be permanently attached to the entire perimeter of the pool. See instructions with signage. *IT IS RECOMMENDED TO NOT INSTALL DIVING BOARDS AND/OR SLIDING EQUIPMENT ON RESIDENTIAL POOLS*. Then add the following: If diving boards and/or sliding equipment is installed by the contractor, such diving boards and sliding equipment MUST BE INSTALLED WITHIN THE GUIDELINES ESTABLISHED BY ANSI/NSPI/ASPA RECOMMENDED STANDARDS, AND IN ACCORDANCE WITH ALL APPLICABLE STATE AND LOCAL CODES AND REGULATIONS.

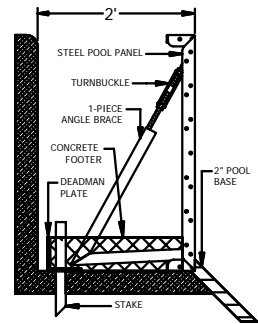


STEEL WALL POOL SYSTEM

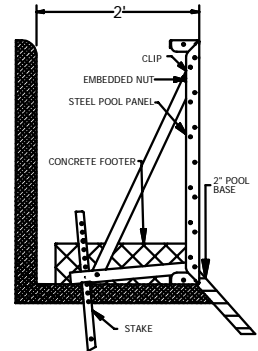
26'-6" X 46'-2" MOUNTAIN LAKE

DWG #: GS-1095 DATE: 8/29/2011 REV: C PAGE 2 OF 3

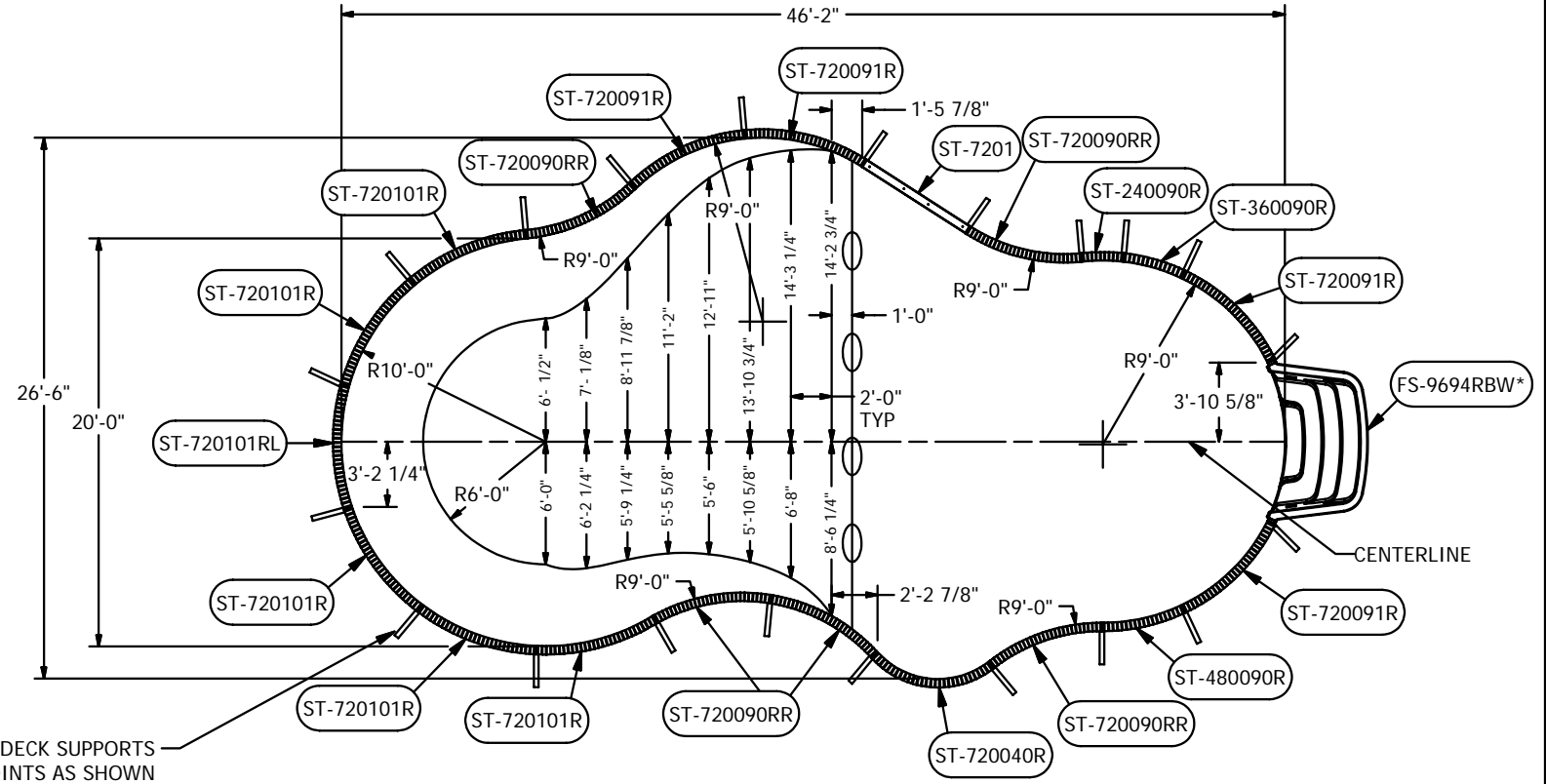
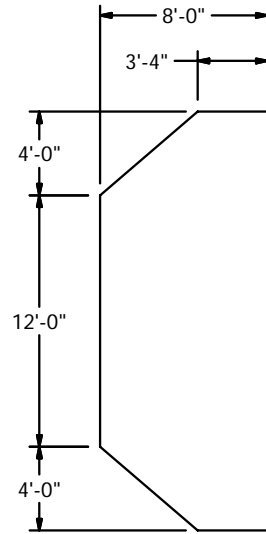
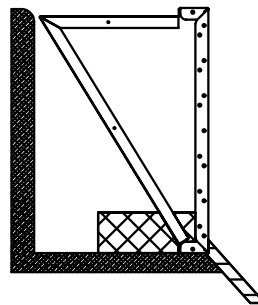
TURNBUCKLE BRACE



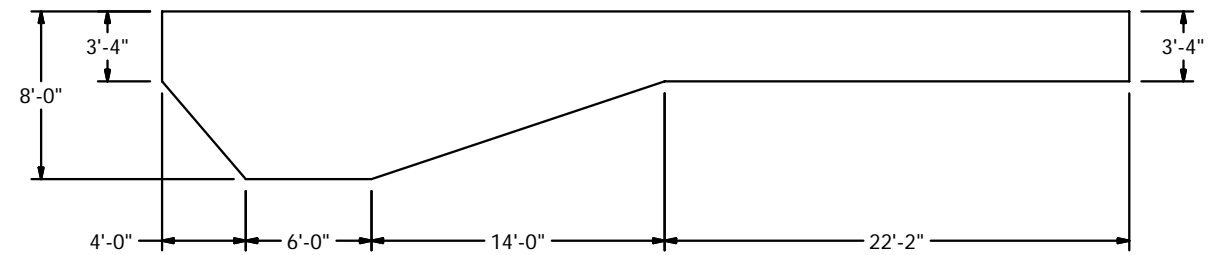
EMBEDDED NUT BRACE



DECK SUPPORT (OPTIONAL)



BEACES AND DECK SUPPORTS AT PANEL JOINTS AS SHOWN



N.S.P.I. TYPE 2

NO DIVING DANGER: DIVING MAY RESULT IN SERIOUS INJURY OR DEATH. Signage must be permanently attached around the perimeter of the pool.

THIS DOCUMENT IS FOR ILLUSTRATIVE PURPOSES ONLY. Trivector Mfg. Inc. makes only those representations which are stated in its written warranty. Any other representations, statements, or contracts made by the dealer/contractor to the customer regarding any components produced by Trivector Mfg. Inc. are attributable to the dealer/contractor only. The dealer or contractor who sells or installs your pool is an independant contractor and is not an agent or employee of Trivector Mfg. Inc. The construction methods illustrated here are suggestions and apply only to normal ground conditions. There may be additional precautions and/or methods of construction. The responsibility is the contractor's. -A safety line, with buoys, is to be permanently attached 1'-0" to the shallow side of the point of first slope change. -Different methods and precautions may be dictated by various ground conditions. This is to be determined by and is the responsibility of the contractor who is not an agent of the manufacturer of the component parts. -Installation is to be done in accordance with all federal, state and local building codes, as well as A.N.S.I./N.S.P.I. suggested standards. -BOTTOM SPECIFICATIONS MUST MEET OR EXCEED A.N.S.I./N.S.P.I./A.P.S.P. RECOMMENDED STANDARDS -"NO DIVING" signage must be permanently attached to the entire perimeter of the pool. See instructions with signage. *IT IS RECOMMENDED TO NOT INSTALL DIVING BOARDS AND/OR SLIDING EQUIPMENT ON RESIDENTIAL POOLS*. Then add the following: If diving boards and/or sliding equipment is installed by the contractor, such diving boards and sliding equipment MUST BE INSTALLED WITHIN THE GUIDELINES ESTABLISHED BY ANSI/NSPI/ASPA RECOMMENDED STANDARDS, AND IN ACCORDANCE WITH ALL APPLICABLE STATE AND LOCAL CODES AND REGULATIONS.

