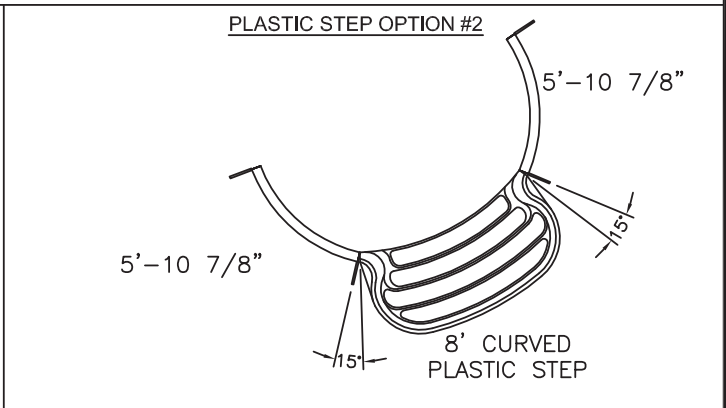
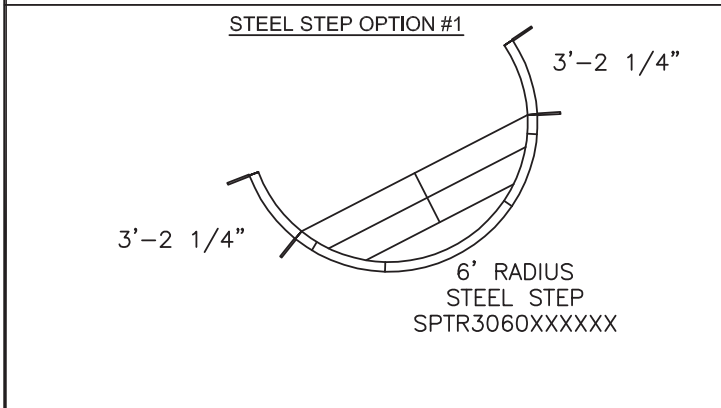
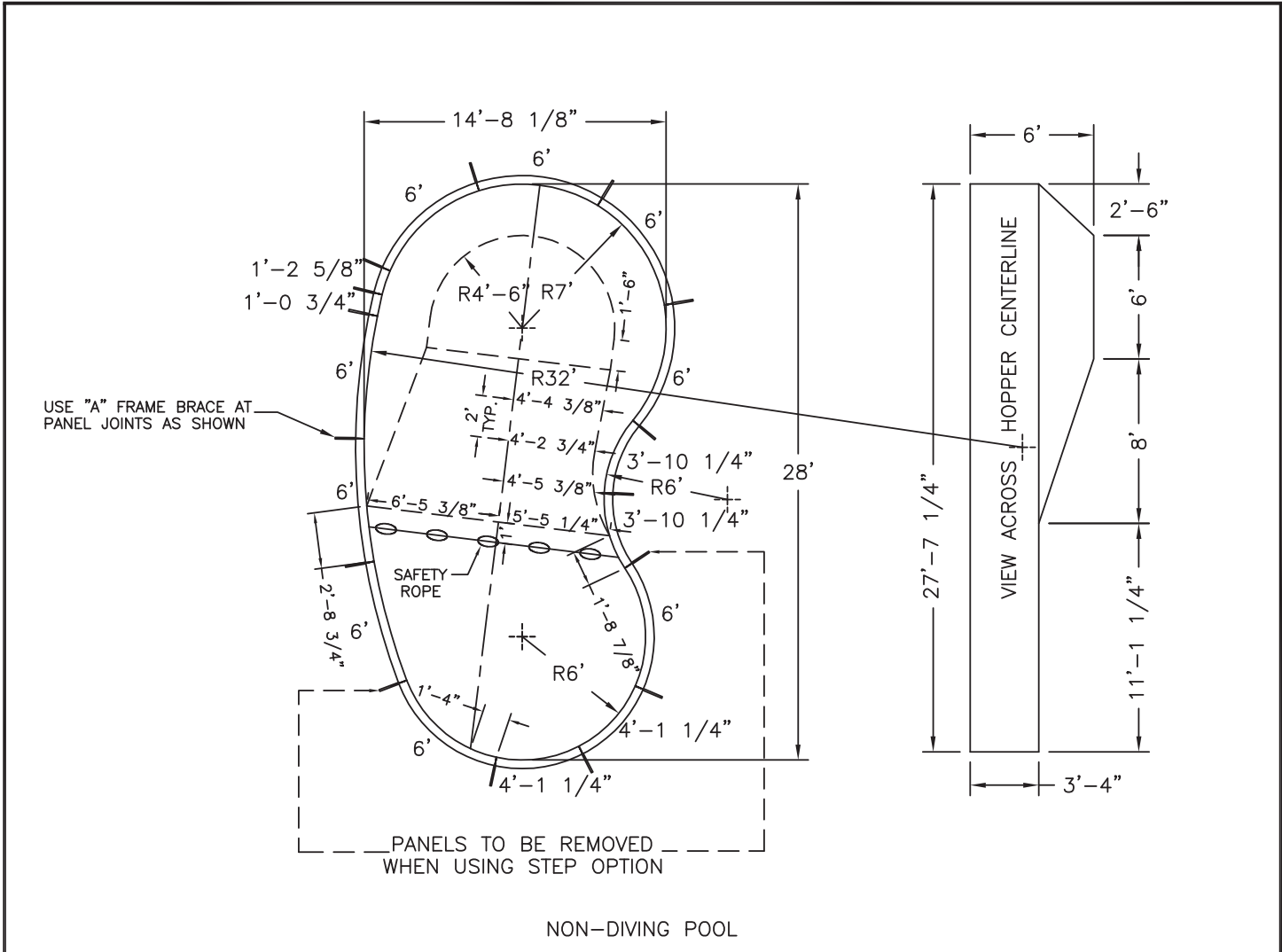




Name: 14' X 28' KIDNEY

Number: 1428KID

250 Route 61 South, Schuylkill Haven, PA 17972 • 570-385-4733 • fax: 570-385-1318 • CustomerService@CardinalSystemsInc.com



3' Deck Area: 244.9 SQ. FT.
Gallons: 12,124
Date: 2/20/13
Scale: 1/8" = 1'

4' Deck Area : 339.1 SQ. FT.
Perimeter: 72'-2 1/2"
Area: 323.3 SQ. FT.
Sheet: 1 OF 2

CardinalSystemsInc.com

This information is the confidential property of Cardinal Systems, Inc. Disclosure or duplication without proper written approval is strictly prohibited. Acceptance and use of this drawing constitutes knowledge and acceptance by the user of the terms and conditions set forth in the notice and warning which accompanied this drawing is incorporated herein and made part hereof and is found on Cardinal Systems, Inc's website at www.CardinalSystemsInc.com



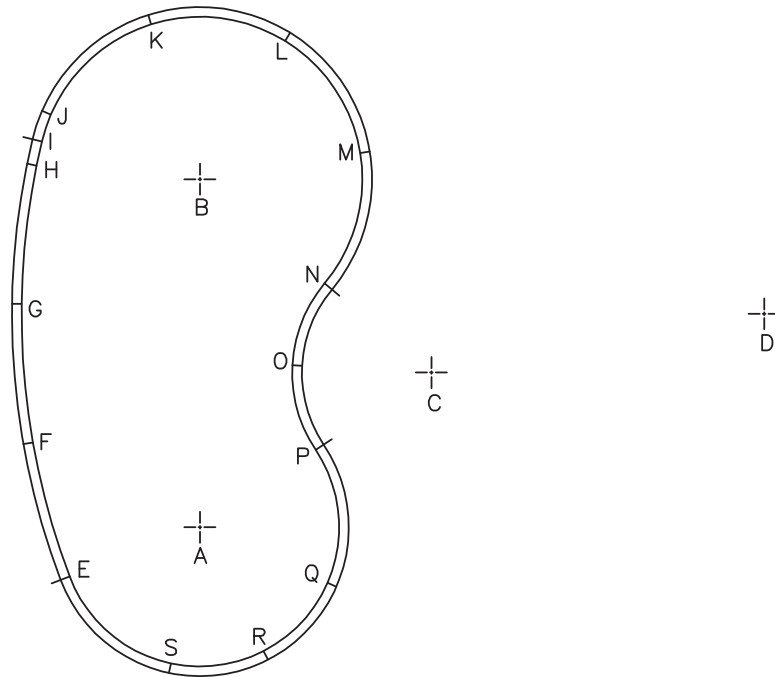
Name: 14' X 28' KIDNEY



Number: 1428KID

250 Route 61 South, Schuylkill Haven, PA 17972 • 570-385-4733 • fax: 570-385-1318 • CustomerService@CardinalSystemsInc.com

PART NO.	QUANTITY			DESCRIPTION
	NO	STEP 1	STEP 2	
5C42600XX32001	3	3	3	6' X 32' RADIUS PANEL W/ 1 Z
5C42106XX32000	1	1	1	1'-0 3/4" X 32' RADIUS PANEL
5C42600XX07000	4	4	4	6' X 7' RADIUS PANEL
5C42125XX07000	1	1	1	1'-2 5/8" X 7' RADIUS PANEL
5C42600XX06000	2	0	0	6' X 6' RADIUS PANEL
5C425T7XX06000	0	0	2	5'-10 7/8" X 6' RADIUS PANEL
5C42412XX06000	2	0	0	4'-2 1/4" X 6' RADIUS PANEL
5C42322XX06000	0	2	0	3'-2 1/4" X 6' RADIUS PANEL
5R423T2XX06000	2	2	2	3'-10 1/4" X 6' REV. RADIUS PANEL
CS900GS-15	0	0	2	15° STEP ANGLE
BP192JS	1	1	1	192 NUTS/BOLTS
	15	14	14	"A" FRAME ASSEMBLY

POINTS	DISTANCE
A-B	15'
A-C	12'
A-D	26'
B-C	13'
B-D	25'
E-F	5'-11 7/8"
E-G	11'-11 1/8"
E-H	17'-9 1/8"
E-I	18'-9 3/8"
E-J	19'-11 1/8"
E-K	24'-0 3/4"
E-L	24'-10 1/2"
E-M	22'-1 1/2"
E-N	16'-8 7/8"
E-O	13'-2 3/4"
E-P	11'-11 1/8"
E-Q	11'-1 3/8"
E-R	8'-11 1/2"
E-S	5'-9"
P-F	12'-2 1/4"
P-G	14'-1 3/4"
P-H	17'-2"
P-I	17'-9 1/4"
P-J	18'-5"
P-K	19'-8"
P-L	17'-8 1/8"
P-M	12'-11 1/4"
P-N	7'-2 1/4"
P-O	3'-9 1/2"
P-Q	5'-9"
P-R	8'-11 1/2"
P-S	11'-1 3/8"



3' Deck Area: 244.9 SQ. FT.	4' Deck Area : 339.1 SQ. FT.	  CardinalSystemsInc.com
Gallons: 12,124	Perimeter: 72'-2 1/2"	
Date: 2/20/13	Area: 323.3 SQ. FT.	
Scale: 1/8" = 1'	Sheet: 2 OF 2	

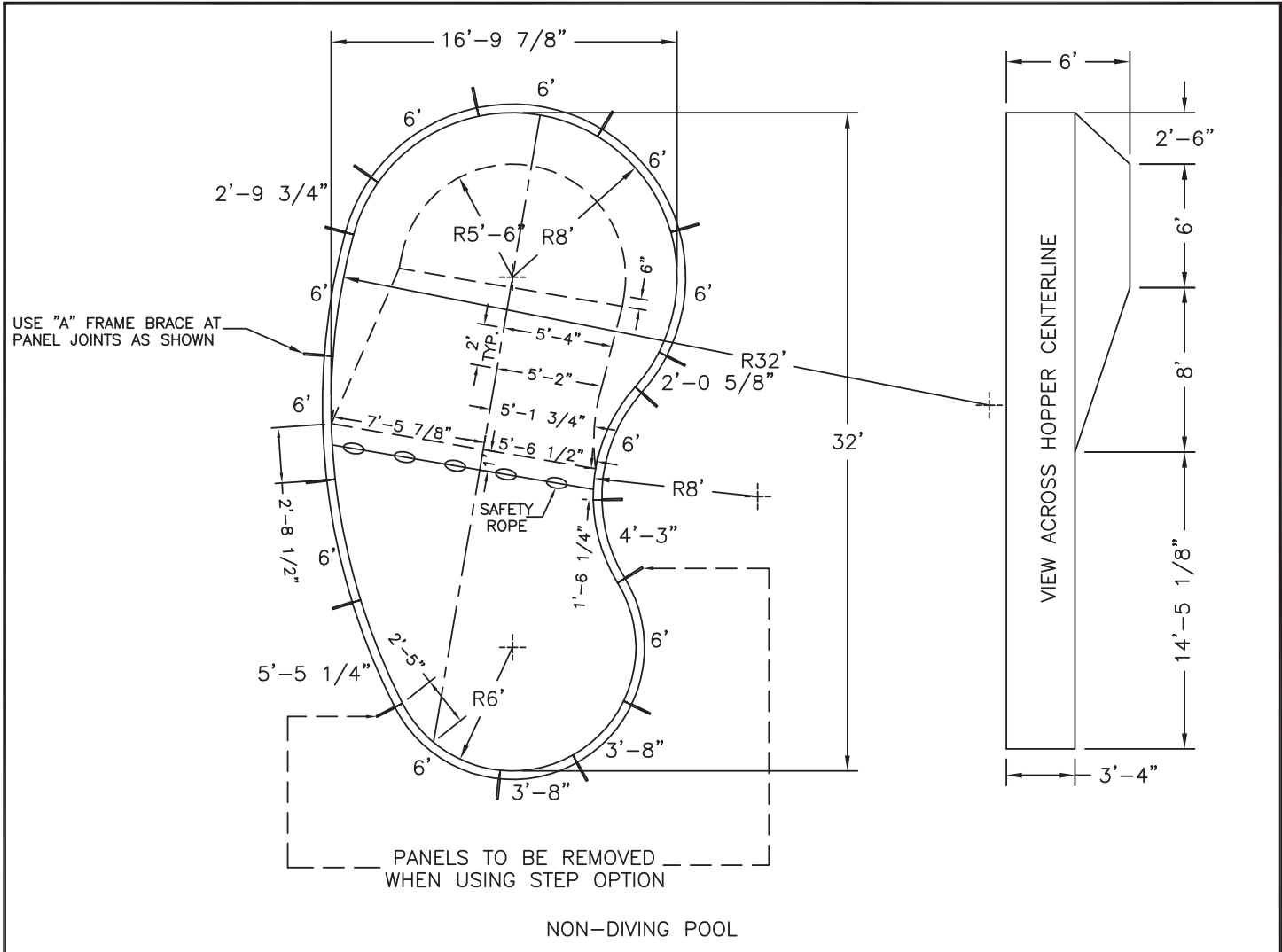
This information is the confidential property of Cardinal Systems, Inc. Disclosure or duplication without proper written approval is strictly prohibited. Acceptance and use of this drawing constitutes knowledge and acceptance by the user of the terms and conditions set forth in the notice and warning which accompanied this drawing is incorporated herein and made part hereof and is found on Cardinal Systems, Inc's website at www.CardinalSystemsInc.com



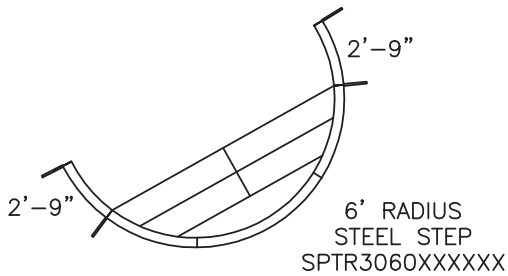
Name: 16' X 32' KIDNEY

Number: 1632KID

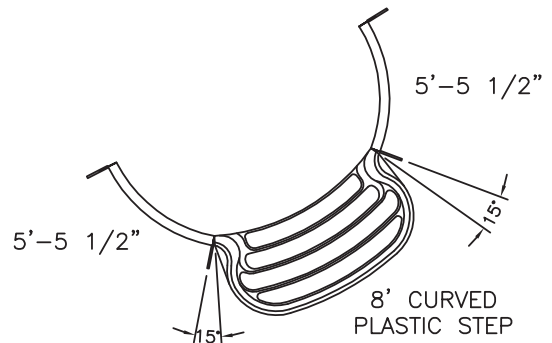
250 Route 61 South, Schuylkill Haven, PA 17972 • 570-385-4733 • fax: 570-385-1318 • CustomerService@CardinalSystemsInc.com



STEEL STEP OPTION #1



PLASTIC STEP OPTION #2



3' Deck Area: 274.0 SQ. FT.

4' Deck Area : 377.8 SQ. FT.

Gallons: 15,233

Perimeter: 81'-10 3/4"

Date: 2/20/13

Area: 406.2 SQ. FT.

Scale: 1/8" = 1'

Sheet: 1 OF 2



CardinalSystemsInc.com

This information is the confidential property of Cardinal Systems, Inc. Disclosure or duplication without proper written approval is strictly prohibited. Acceptance and use of this drawing constitutes knowledge and acceptance by the user of the terms and conditions set forth in the notice and warning which accompanied this drawing is incorporated herein and made part hereof and is found on Cardinal Systems, Inc's website at www.CardinalSystemsInc.com



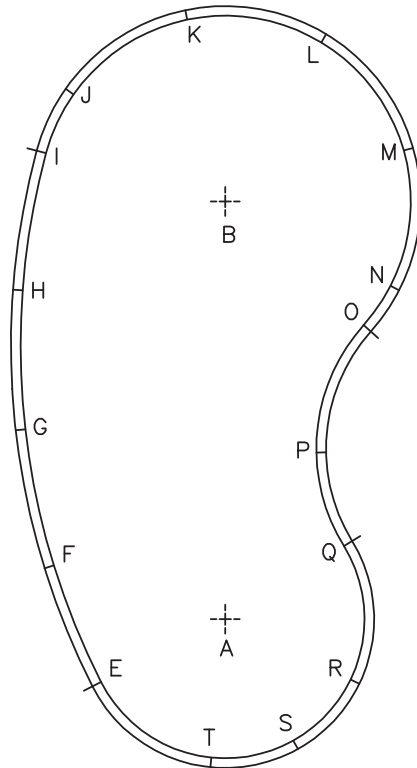
Name: 16' X 32' KIDNEY


Number: 1632KID

250 Route 61 South, Schuylkill Haven, PA 17972 • 570-385-4733 • fax: 570-385-1318 • CustomerService@CardinalSystemsInc.com

PART NO.	QUANTITY			DESCRIPTION
	NO	STEP 1	STEP 2	
5C42600XX32001	3	3	3	6' X 32' RADIUS PANEL W/ 1 Z
5C42552XX32000	1	1	1	5'-5 1/4" X 32' RADIUS PANEL
5C42600XX08000	4	4	4	6' X 8' RADIUS PANEL
5C42296XX08000	1	1	1	2'-9 3/4" X 8' RADIUS PANEL
5C42205XX08000	1	1	1	2'-0 5/8" X 8' RADIUS PANEL
5C42600XX06000	2	0	0	6' X 6' RADIUS PANEL
5C42554XX06000	0	0	2	5'-5 1/2" X 6' RADIUS PANEL
5C42380XX06000	2	0	0	3'-8" X 6' RADIUS PANEL
5C42290XX06000	0	2	0	2'-9" X 6' RADIUS PANEL
5R42600XX08000	1	1	1	6' X 8' REV. RADIUS PANEL
5R42430XX08000	1	1	1	4'-3" X 8' REV. RADIUS PANEL
CS900GS-15	0	0	2	15° STEP ANGLE
BP192JS	1	1	1	192 NUTS/BOLTS
	16	15	15	"A" FRAME ASSEMBLY

POINTS	DISTANCE
A-B	18'
A-C	14'
A-D	26'
B-C	16'
B-D	24'
E-F	5'-5 1/8"
E-G	11'-4 1/2"
E-H	17'-2 5/8"
E-I	22'-11"
E-J	25'-4 1/4"
E-K	28'-9 1/2"
E-L	29'-1 7/8"
E-M	26'-4 3/8"
E-N	21'-1 3/4"
E-O	19'-1 1/8"
E-P	13'-6 3/4"
E-Q	11'-11 7/8"
E-R	10'-9 1/8"
E-S	8'-7 7/8"
E-T	5'-9"
Q-F	12'-6 3/8"
Q-G	14'-7 1/2"
Q-H	17'-8 3/8"
Q-I	21'-3"
Q-J	22'-8 1/4"
Q-K	23'-8"
Q-L	21'-8 3/4"
Q-M	17'-2 7/8"
Q-N	11'-4 3/4"
Q-O	9'-6 3/4"
Q-P	4'-2 3/8"
Q-R	5'-9"
Q-S	8'-7 7/8"
Q-T	10'-9 1/8"



3' Deck Area: 274.0 SQ. FT.	4' Deck Area : 377.8 SQ. FT.	 CardinalSystemsInc.com
Gallons: 15,233	Perimeter: 81'-10 3/4"	
Date: 2/20/13	Area: 406.2 SQ. FT.	
Scale: 1/8" = 1'	Sheet: 2 OF 2	

This information is the confidential property of Cardinal Systems, Inc. Disclosure or duplication without proper written approval is strictly prohibited. Acceptance and use of this drawing constitutes knowledge and acceptance by the user of the terms and conditions set forth in the notice and warning which accompanied this drawing is incorporated herein and made part hereof and is found on Cardinal Systems, Inc's website at www.CardinalSystemsInc.com



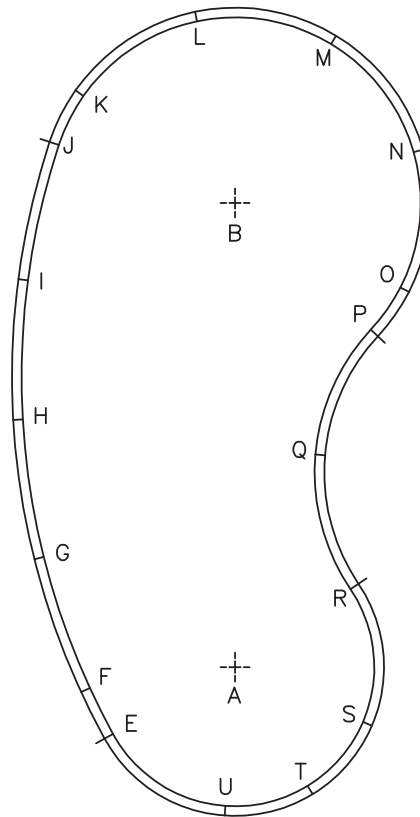
Name: 16' X 34' KIDNEY


Number: 1634KID

250 Route 61 South, Schuylkill Haven, PA 17972 • 570-385-4733 • fax: 570-385-1318 • CustomerService@CardinalSystemsInc.com

PART NO.	QUANTITY			DESCRIPTION
	NO	STEP 1	STEP 2	
5C42600XX32001	4	4	4	6' X 32' RADIUS PANEL W/ 1 Z
5C42225XX32000	1	1	1	2'-2 5/8" X 32' RADIUS PANEL
5C42600XX08000	4	4	4	6' X 8' RADIUS PANEL
5C42244XX08000	1	1	1	2'-4 1/2" X 8' RADIUS PANEL
5C42226XX08000	1	1	1	2'-2 3/4" X 8' RADIUS PANEL
5C42600XX06000	2	0	0	6' X 6' RADIUS PANEL
5C42560XX06000	0	0	2	5'-6" X 6' RADIUS PANEL
5C42384XX06000	2	0	0	3'-8 1/2" X 6' RADIUS PANEL
5C42294XX06000	0	2	0	2'-9 1/2" X 6' RADIUS PANEL
5R42612XX09000	1	1	1	6'-1 1/4" X 9' REV. RADIUS PANEL
5R42600XX09000	1	1	1	6' X 9' REV. RADIUS PANEL
CS900GS-15	0	0	2	15° STEP ANGLE
BP192JS	1	1	1	192 NUTS/BOLTS
	16	15	15	"A" FRAME ASSEMBLY

POINTS	DISTANCE
A-B	20'
A-C	15'
A-D	26'
B-C	17'
B-D	24'
E-F	2'-2 5/8"
E-G	8'-2 3/8"
E-H	14'-1 1/4"
E-I	19'-10 5/8"
E-J	25'-5 7/8"
E-K	27'-6 1/4"
E-L	30'-11 1/8"
E-M	31'-2 1/8"
E-N	28'-2 3/4"
E-O	22'-10 5/8"
E-P	20'-8"
E-Q	14'-10 3/8"
E-R	11'-11 7/8"
E-S	10'-9 1/2"
E-T	8'-8 1/8"
E-U	5'-9"
R-F	12'-0 1/8"
R-G	13'-3 1/2"
R-H	15'-10 7/8"
R-I	19'-2 7/8"
R-J	22'-10 3/4"
R-K	24'-2"
R-L	25'-4 1/8"
R-M	23'-6"
R-N	19'-0 3/8"
R-O	13'-2 1/8"
R-P	11'-2 5/8"
R-Q	5'-11 7/8"
R-S	5'-9"
R-T	8'-8 1/8"
R-U	10'-9 1/2"



3' Deck Area: 287.3 SQ. FT.	4' Deck Area : 395.6 SQ. FT.	 CardinalSystemsInc.com
Gallons: 16,271	Perimeter: 86'-4"	
Date: 2/20/13	Area: 433.9 SQ. FT.	
Scale: 1/8" = 1'	Sheet: 2 OF 2	

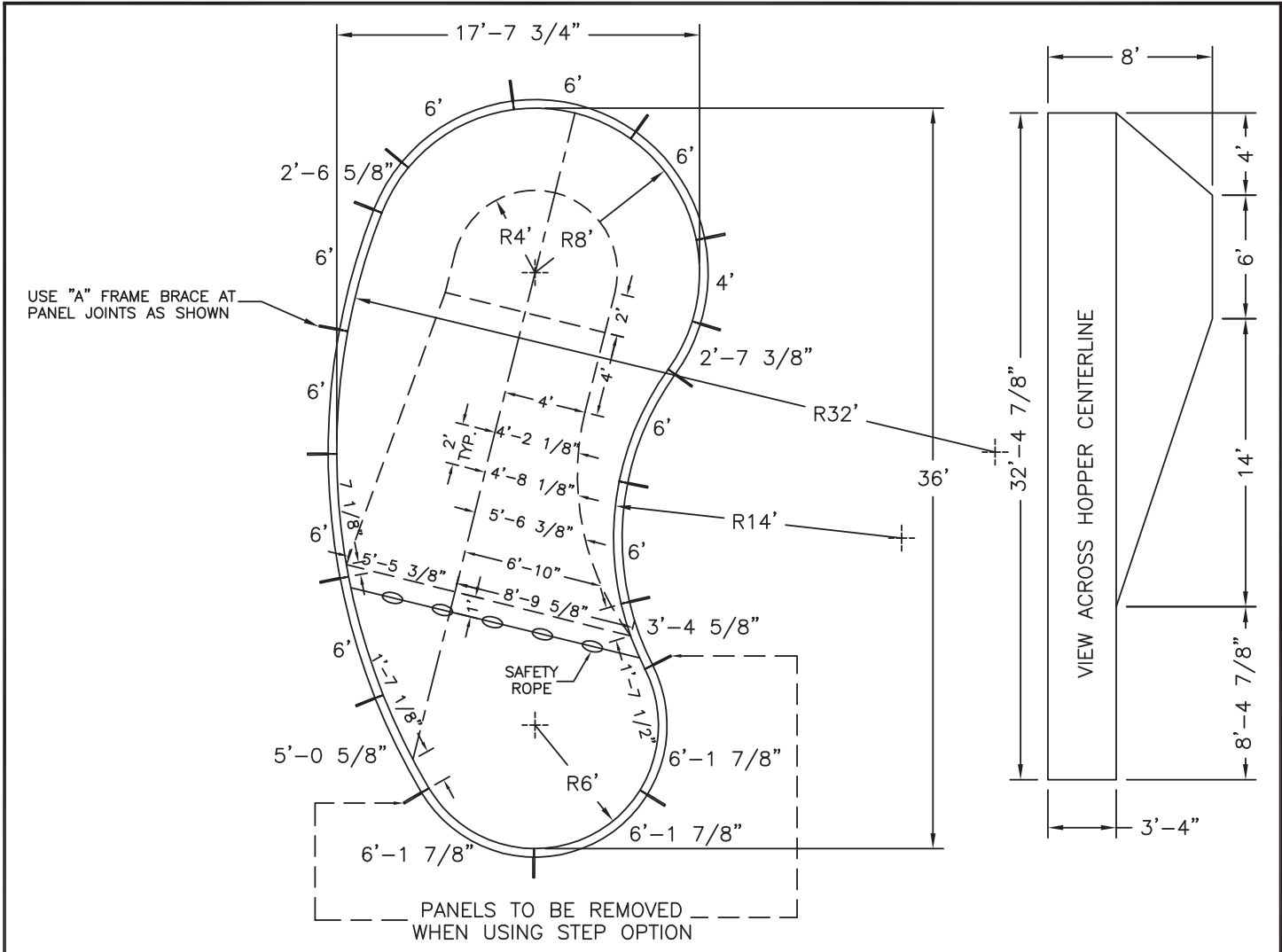
This information is the confidential property of Cardinal Systems, Inc. Disclosure or duplication without proper written approval is strictly prohibited. Acceptance and use of this drawing constitutes knowledge and acceptance by the user of the terms and conditions set forth in the notice and warning which accompanied this drawing is incorporated herein and made part hereof and is found on Cardinal Systems, Inc's website at www.CardinalSystemsInc.com



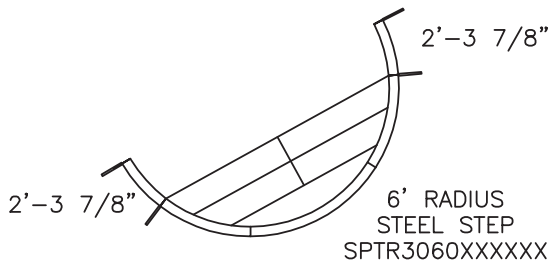
Name: 16' X 36' KIDNEY

Number: 1636KID

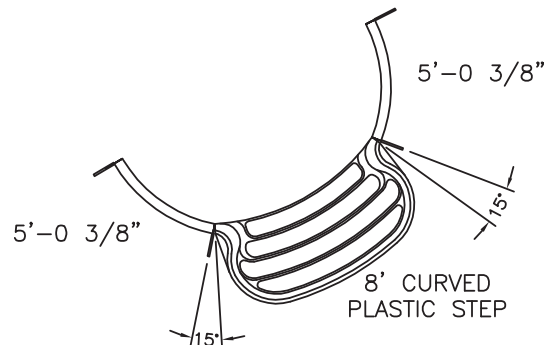
250 Route 61 South, Schuylkill Haven, PA 17972 • 570-385-4733 • fax: 570-385-1318 • CustomerService@CardinalSystemsInc.com



STEEL STEP OPTION #1



PLASTIC STEP OPTION #2



3' Deck Area: 298.5 SQ. FT.

4' Deck Area : 410.6 SQ. FT.

Gallons: 17,674

Perimeter: 90'-0 7/8"

Date: 2/20/13

Area: 471.3 SQ. FT.

Scale: 1/8" = 1'

Sheet: 1 OF 2



CardinalSystemsInc.com

This information is the confidential property of Cardinal Systems, Inc. Disclosure or duplication without proper written approval is strictly prohibited. Acceptance and use of this drawing constitutes knowledge and acceptance by the user of the terms and conditions set forth in the notice and warning which accompanied this drawing is incorporated herein and made part hereof and is found on Cardinal Systems, Inc's website at www.CardinalSystemsInc.com



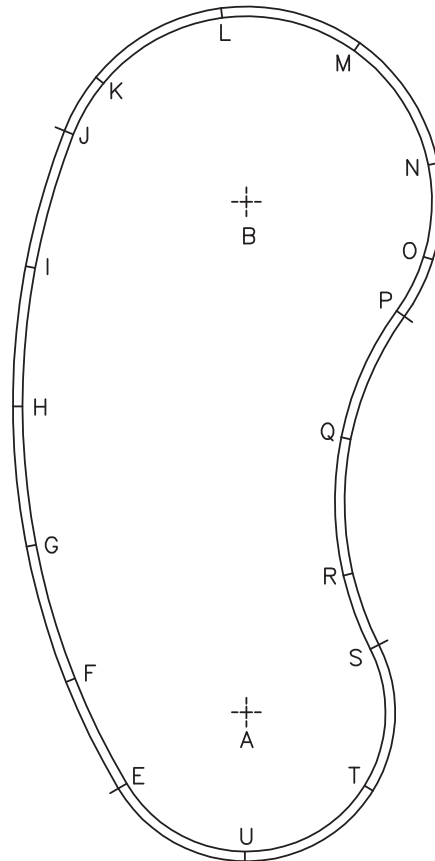
Name: 16' X 36' KIDNEY


Number: 1636KID

250 Route 61 South, Schuylkill Haven, PA 17972 • 570-385-4733 • fax: 570-385-1318 • CustomerService@CardinalSystemsInc.com

PART NO.	QUANTITY			DESCRIPTION
	NO	STEP 1	STEP 2	
5C42600XX32001	4	4	4	6' X 32' RADIUS PANEL W/ 1 Z
5C42505XX32000	1	1	1	5'-0 5/8" X 32' RADIUS PANEL
5C42600XX08000	3	3	3	6' X 8' RADIUS PANEL
5C42400XX08000	1	1	1	4' X 8' RADIUS PANEL
5C42273XX08000	1	1	1	2'-7 3/8" X 8' RADIUS PANEL
5C42265XX08000	1	1	1	2'-6 5/8" X 8' RADIUS PANEL
5C42617XX06000	3	0	0	6'-1 7/8" X 6' RADIUS PANEL
5C42503XX06000	0	0	2	5'-0 3/8" X 6' RADIUS PANEL
5C42237XX06000	0	2	0	2'-3 7/8" X 6' RADIUS PANEL
5R42600XX14000	2	2	2	6' X 14' REV. RADIUS PANEL
5R42345XX14000	1	1	1	3'-4 5/8" X 14' REV. RADIUS PANEL
CS900GS-15	0	0	2	15° STEP ANGLE
BP216JS	1	1	1	216 NUTS/BOLTS
	17	17	17	"A" FRAME ASSEMBLY

POINTS	DISTANCE
A-B	22'
A-C	20'
A-D	26'
B-C	22'
B-D	24'
E-F	5'-0 5/8"
E-G	11'
E-H	16'-10 1/4"
E-I	22'-6 3/4"
E-J	28'-0 3/4"
E-K	30'-2 1/8"
E-L	33'-3"
E-M	33'-0 3/4"
E-N	29'-7 7/8"
E-O	26'-0 3/4"
E-P	23'-5 1/2"
E-Q	17'-6 5/8"
E-R	12'-11 3/8"
E-S	11'-11 7/8"
E-T	10'-3 1/8"
E-U	5'-10 5/8"
S-F	12'-9 1/2"
S-G	15'-1 1/8"
S-H	18'-3 1/4"
S-I	21'-10 3/8"
S-J	25'-7 1/4"
S-K	26'-11 1/2"
S-L	27'-11 3/8"
S-M	25'-9 1/2"
S-N	21'-0 1/8"
S-O	17'-0 3/4"
S-P	14'-7 1/2"
S-Q	9'-2 1/2"
S-R	3'-4 1/2"
S-T	5'-10 5/8"
S-U	10'-3 1/8"



3' Deck Area: 298.5 SQ. FT.	4' Deck Area : 410.6 SQ. FT.	 CardinalSystemsInc.com
Gallons: 17,674	Perimeter: 90'-0 7/8"	
Date: 2/20/13	Area: 471.3 SQ. FT.	
Scale: 1/8" = 1'	Sheet: 2 OF 2	

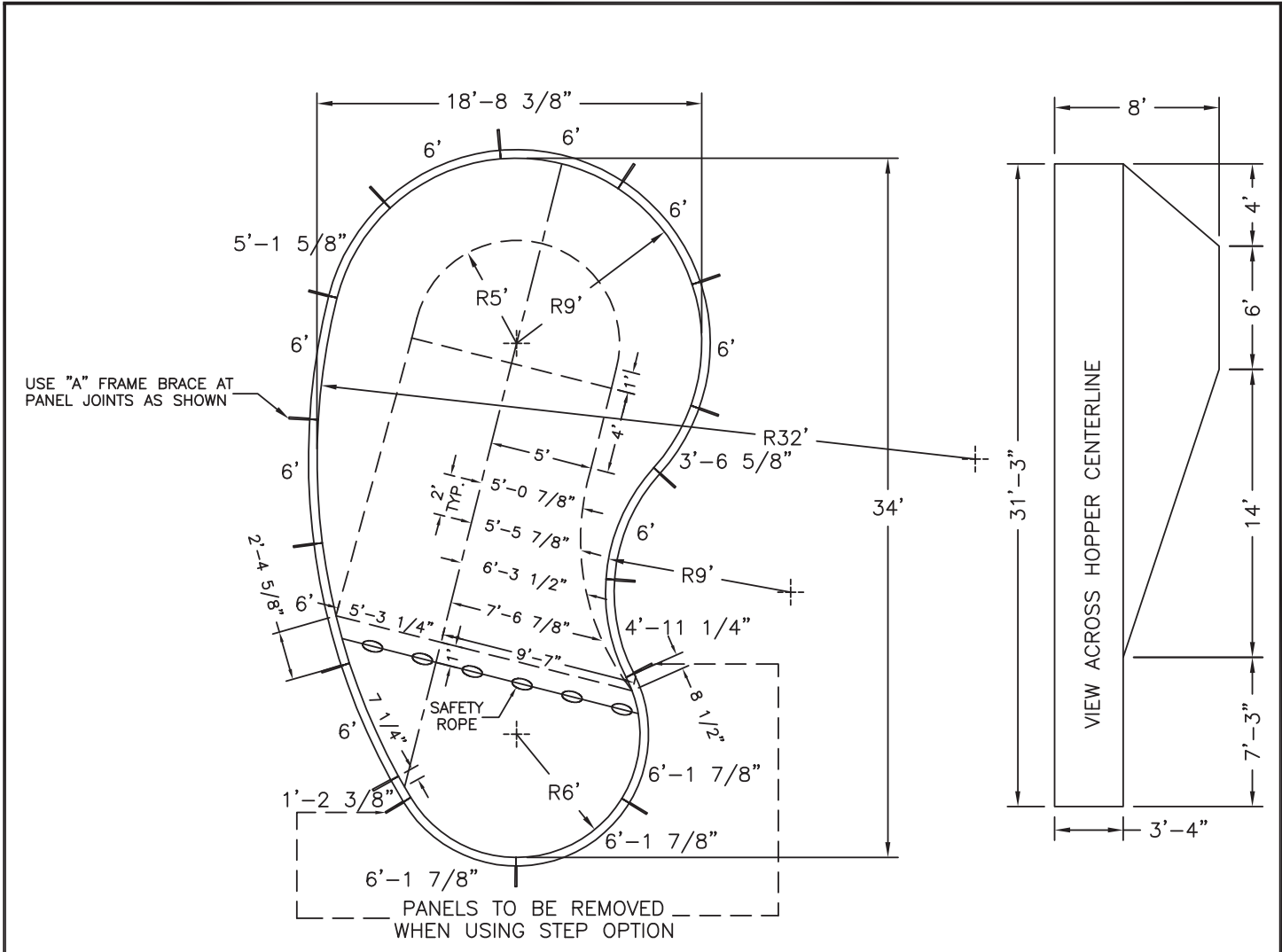
This information is the confidential property of Cardinal Systems, Inc. Disclosure or duplication without proper written approval is strictly prohibited. Acceptance and use of this drawing constitutes knowledge and acceptance by the user of the terms and conditions set forth in the notice and warning which accompanied this drawing is incorporated herein and made part hereof and is found on Cardinal Systems, Inc's website at www.CardinalSystemsInc.com



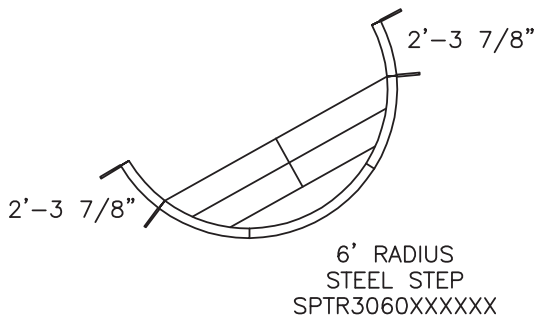
Name: 18' X 34' KIDNEY

Number: 1834KID

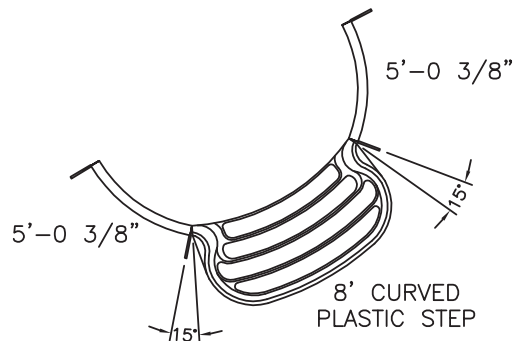
250 Route 61 South, Schuylkill Haven, PA 17972 • 570-385-4733 • fax: 570-385-1318 • CustomerService@CardinalSystemsInc.com



STEEL STEP OPTION #1



PLASTIC STEP OPTION #2



3' Deck Area: 290.1 SQ. FT.

4' Deck Area : 399.4 SQ. FT.

Gallons: 17,670

Perimeter: 87'-3 1/2"

Date: 2/20/13

Area: 471.2 SQ. FT.

Scale: 1/8" = 1'

Sheet: 1 OF 2



CardinalSystemsInc.com

This information is the confidential property of Cardinal Systems, Inc. Disclosure or duplication without proper written approval is strictly prohibited. Acceptance and use of this drawing constitutes knowledge and acceptance by the user of the terms and conditions set forth in the notice and warning which accompanied this drawing is incorporated herein and made part hereof and is found on Cardinal Systems, Inc's website at www.CardinalSystemsInc.com



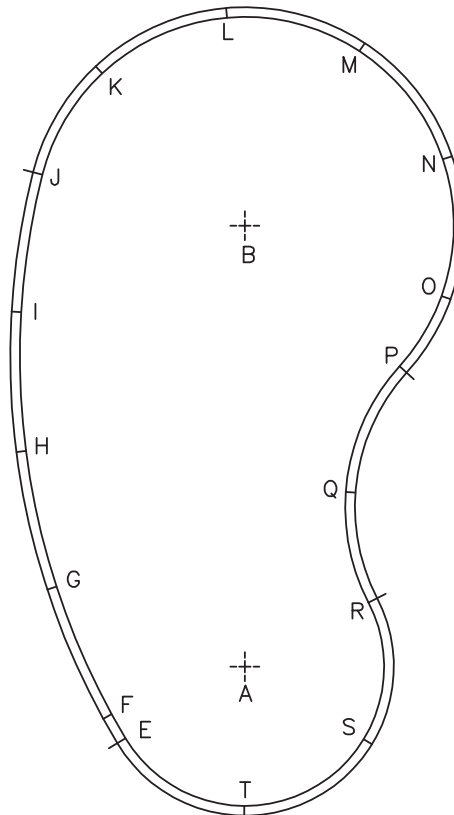
Name: 18' X 34' KIDNEY


Number: 1834KID

250 Route 61 South, Schuylkill Haven, PA 17972 • 570-385-4733 • fax: 570-385-1318 • CustomerService@CardinalSystemsInc.com

PART NO.	QUANTITY			DESCRIPTION
	NO	STEP 1	STEP 2	
5C42600XX32001	4	4	4	6' X 32' RADIUS PANEL W/ 1 Z
5C42123XX32000	1	1	1	1'-2 3/8" X 32' RADIUS PANEL
5C42600XX09000	4	4	4	6' X 9' RADIUS PANEL
5C42515XX09000	1	1	1	5'-1 5/8" X 9' RADIUS PANEL
5C42365XX09000	1	1	1	3'-6 5/8" X 8' RADIUS PANEL
5C42617XX06000	3	0	0	6'-1 7/8" X 6' RADIUS PANEL
5C42503XX06000	0	0	2	5'-0 3/8" X 6' RADIUS PANEL
5C42237XX06000	0	2	0	2'-3 7/8" X 6' RADIUS PANEL
5R42600XX09000	1	1	1	6' X 9' REV. RADIUS PANEL
5R424E2XX09000	1	1	1	4'-11 1/4" X 9' REV. RADIUS PANEL
CS900GS-15	0	0	2	15° STEP ANGLE
BP192JS	1	1	1	192 NUTS/BOLTS
	16	16	16	"A" FRAME ASSEMBLY

POINTS	DISTANCE
A-B	19'
A-C	15'
A-D	26'
B-C	18'
B-D	23'
E-F	1'-2 3/8"
E-G	7'-2 1/8"
E-H	13'-1 1/4"
E-I	18'-10 7/8"
E-J	24'-6 5/8"
E-K	28'-8"
E-L	31'-4 1/4"
E-M	31'-3 3/8"
E-N	28'-5 3/8"
E-O	23'-5 1/8"
E-P	19'-10 7/8"
E-Q	14'-2 7/8"
E-R	11'-11 7/8"
E-S	10'-3 1/8"
E-T	5'-10 3/4"
R-F	12'-0 7/8"
R-G	13'-5 5/8"
R-H	16'-1 3/4"
R-I	19'-6 1/4"
R-K	25'-6 1/2"
R-L	25'-11 1/4"
R-M	23'-9 1/4"
R-N	19'-4 3/8"
R-O	13'-7"
R-P	10'-3 3/8"
R-Q	4'-10 1/2"
R-S	5'-10 3/4"
R-T	10'-3 1/8"



3' Deck Area: 290.1 SQ. FT.	4' Deck Area : 399.4 SQ. FT.	 CardinalSystemsInc.com
Gallons: 17,670	Perimeter: 87'-3 1/2"	
Date: 2/20/13	Area: 471.2 SQ. FT.	
Scale: 1/8" = 1'	Sheet: 2 OF 2	

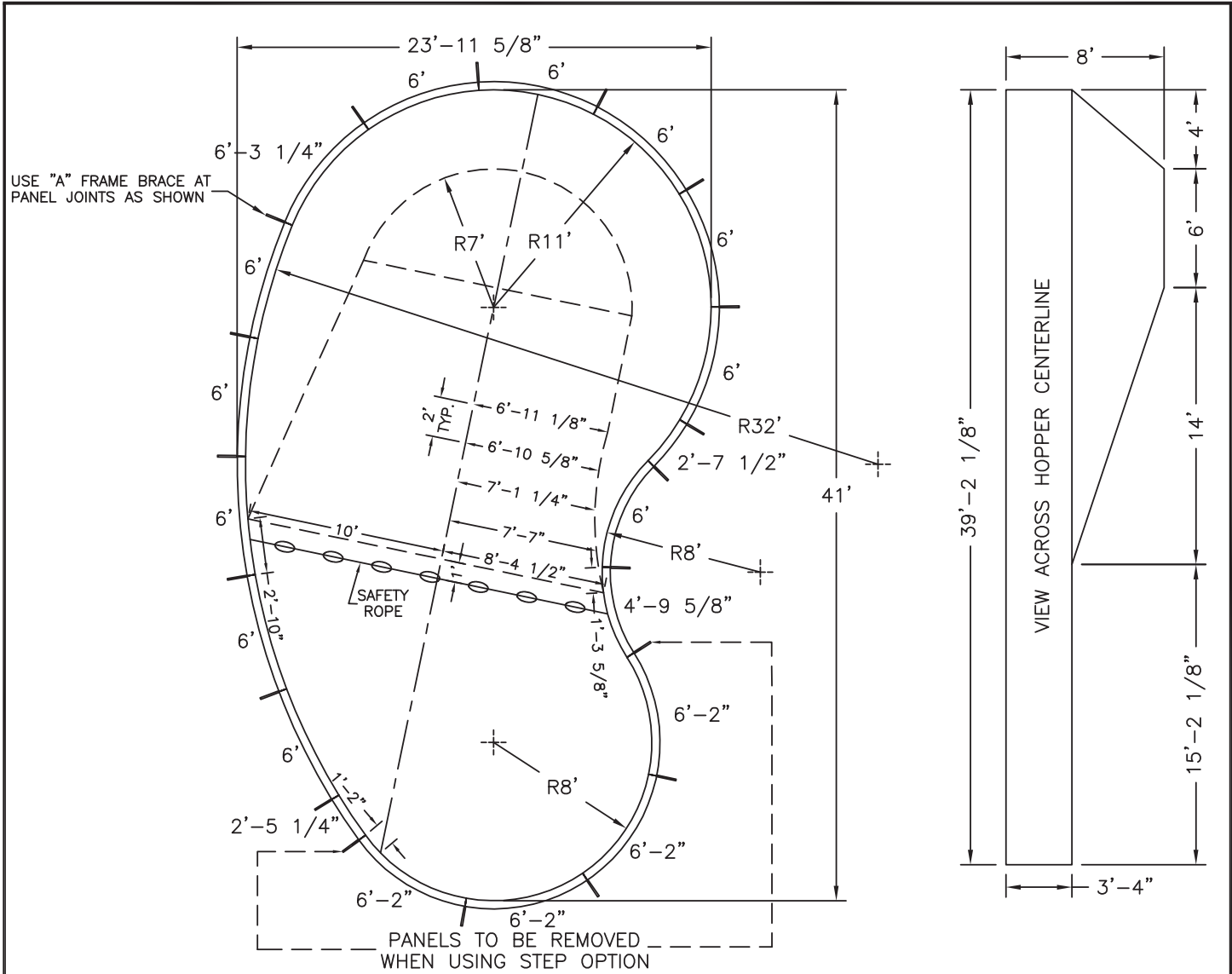
This information is the confidential property of Cardinal Systems, Inc. Disclosure or duplication without proper written approval is strictly prohibited. Acceptance and use of this drawing constitutes knowledge and acceptance by the user of the terms and conditions set forth in the notice and warning which accompanied this drawing is incorporated herein and made part hereof and is found on Cardinal Systems, Inc's website at www.CardinalSystemsInc.com



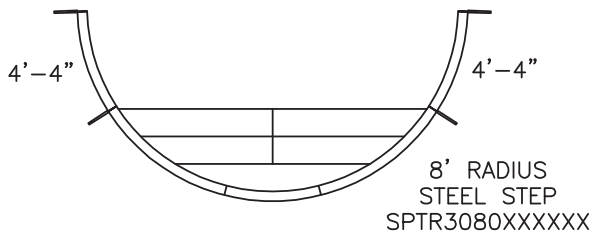
Name: 22' X 41' KIDNEY

Number: 2241KID

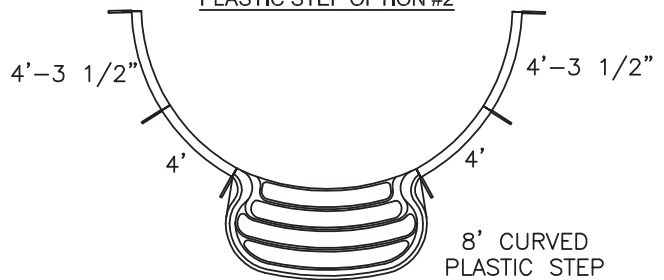
250 Route 61 South, Schuylkill Haven, PA 17972 • 570-385-4733 • fax: 570-385-1318 • CustomerService@CardinalSystemsInc.com



STEEL STEP OPTION #1



PLASTIC STEP OPTION #2



3' Deck Area: 348.7 SQ. FT.

4' Deck Area : 477.5 SQ. FT.

Gallons: 27,105

Perimeter: 106'-9 5/8"

Date: 2/20/13

Area: 722.8 SQ. FT.

Scale: 1/8" = 1'

Sheet: 1 OF 2



CardinalSystemsInc.com

This information is the confidential property of Cardinal Systems, Inc. Disclosure or duplication without proper written approval is strictly prohibited. Acceptance and use of this drawing constitutes knowledge and acceptance by the user of the terms and conditions set forth in the notice and warning which accompanied this drawing is incorporated herein and made part hereof and is found on Cardinal Systems, Inc's website at www.CardinalSystemsInc.com